

## 1500 Hutch

Hudson Elm finish | **Model 5427429**

**NOTE:** THIS INSTRUCTION BOOKLET CONTAINS **IMPORTANT** SAFETY INFORMATION.

PLEASE READ AND KEEP FOR FUTURE REFERENCE.

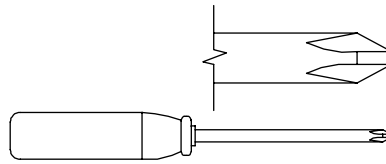
English pg 1-24  
Français pg 25-28  
Español pg 29-32

Lot # **574315**

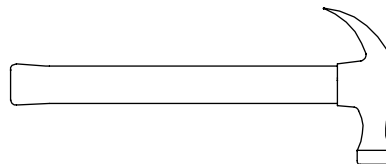
01/27/22

Purchased: \_\_\_\_\_

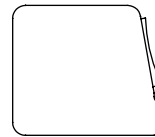
Part Identification	3
Hardware Identification	4
Hardware Usage Guide	5
Assembly Steps	6-24
Français	25-28
Español	29-32
Safety	33-34
Warranty	35



No. 2 Phillips Screwdriver  
Tip Shown Actual Size



Hammer  
Not actual size 😊



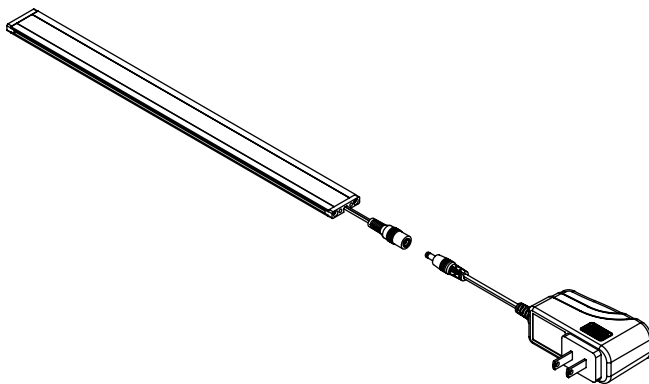
Tape Measure

## Optional Accessory (sold separately)

⚠ This piece of furniture accommodates the following optional accessory (sold separately).

### ⚠ LED Light (Item 426494)

The LED Light is designed to be fastened to the underside of a hutch.



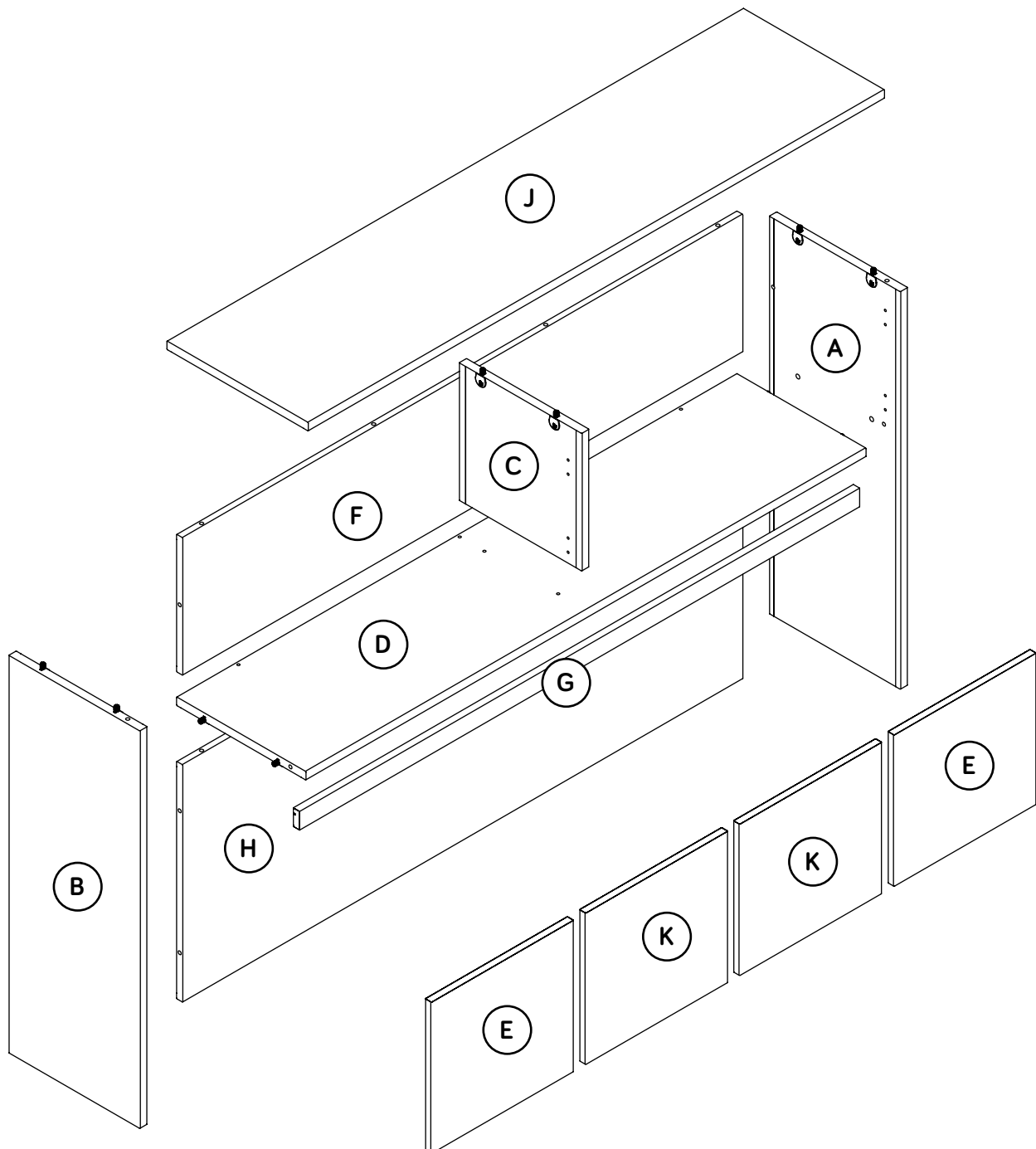
# Part Identification

Now you know  
our ABCs.



† While not all parts are labeled, some of the parts will have a label or an inked letter on the edge to help distinguish similar parts from each other. Use this part identification to help identify similar parts.

A	RIGHT END (1)	E	OUTER DOOR (2)	J	TOP (1)
B	LEFT END (1)	F	UPPER BACK (1)	K	INNER DOOR (2)
C	UPRIGHT (1)	G	SHELF MOLDING (1)		
D	FIXED SHELF (1)	H	LOWER BACK (1)		



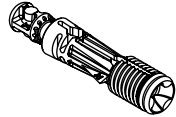
# Hardware Identification

† Screws are shown actual size. You may receive extra hardware with your unit.

**1F** HIDDEN CAM - 14



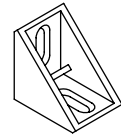
**2F** CAM DOWEL - 14



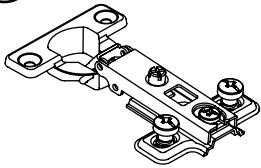
**42F** WOOD DOWEL - 4



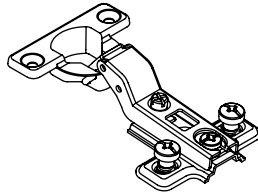
**5G** ANGLE BRACKET - 4



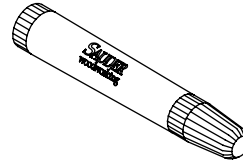
**13H** STRAIGHT HINGE - 4



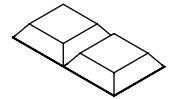
**40H** CURVED HINGE - 4



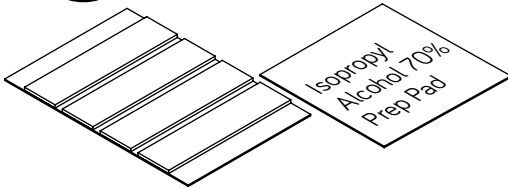
**10M** TOUCH-UP PEN - 1



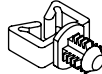
**29M** BUMPER CARD - 2



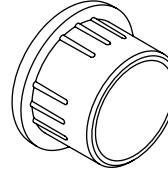
**182M** TAPE CARD/  
PREP PAD KIT - 1



**4P** CORD CLIP - 1



**108P** GROMMET - 1



**109P** GROMMET CAP - 1



**125P** TWIST-LOCK®  
FASTENER COVER - 10



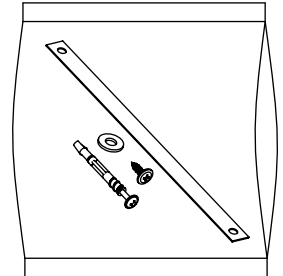
**126P** HOLE  
PLUG - 1



**129P** CAM  
COVER - 14



**97** FURNITURE TIPPING  
RESTRAINT KIT - 1



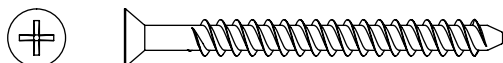
**1S** BLACK 9/16" LARGE HEAD SCREW - 8



**11S** BLACK 1/2" FLAT HEAD SCREW - 16

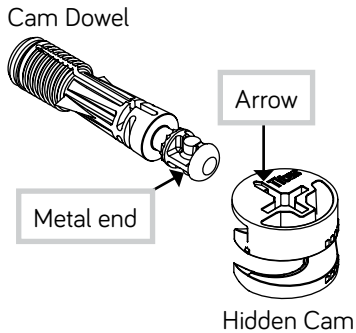


**113S** BLACK 1-15/16" FLAT HEAD SCREW - 5



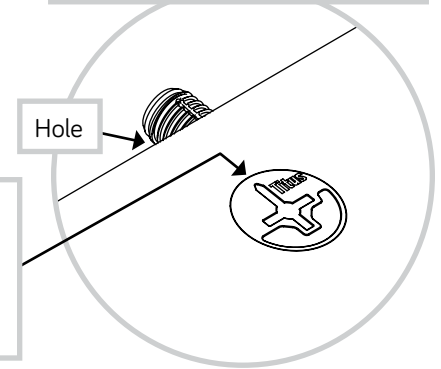
# Hardware Usage Guide

## HOW TO USE A HIDDEN CAM & CAM DOWEL

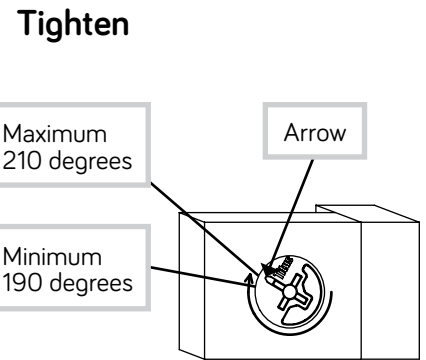
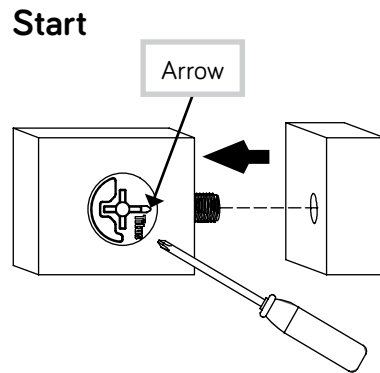


2. Insert the metal end of the CAM DOWEL into the HIDDEN CAM.

1. Push a HIDDEN CAM into the part. The arrow in the HIDDEN CAM must point toward the hole in the edge of the board.

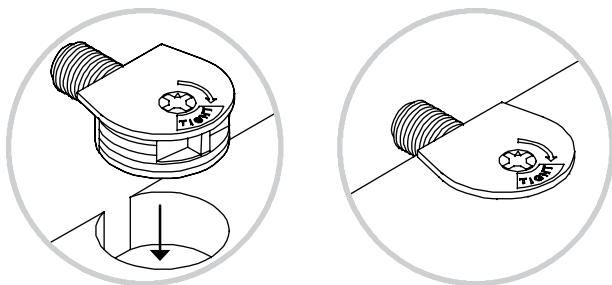


3. **Caution**  
Risk of damage or injury. HIDDEN CAMS must be completely tightened. HIDDEN CAMS that are not completely tightened may loosen, and parts may separate. To completely tighten:

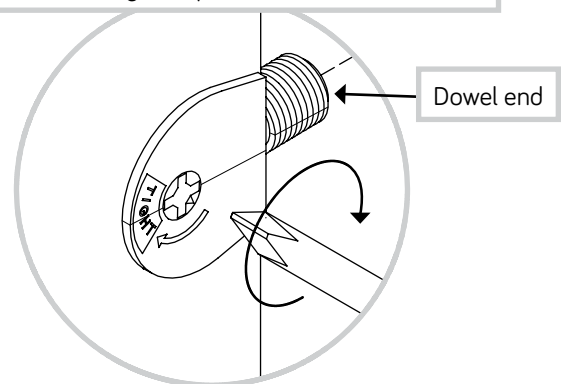


## HOW TO USE A TWIST-LOCK® FASTENER

1. Push a TWIST-LOCK® FASTENER into the large hole in the part.



2. 1. Insert the dowel end of the FASTENER into the hole of the adjoining part.  
**NOTE:** The dowel end of the FASTENER must remain fully inserted in the hole of the adjoining part while locking the FASTENER.  
2. Tighten the FASTENER with a Phillips screwdriver as tight as possible.

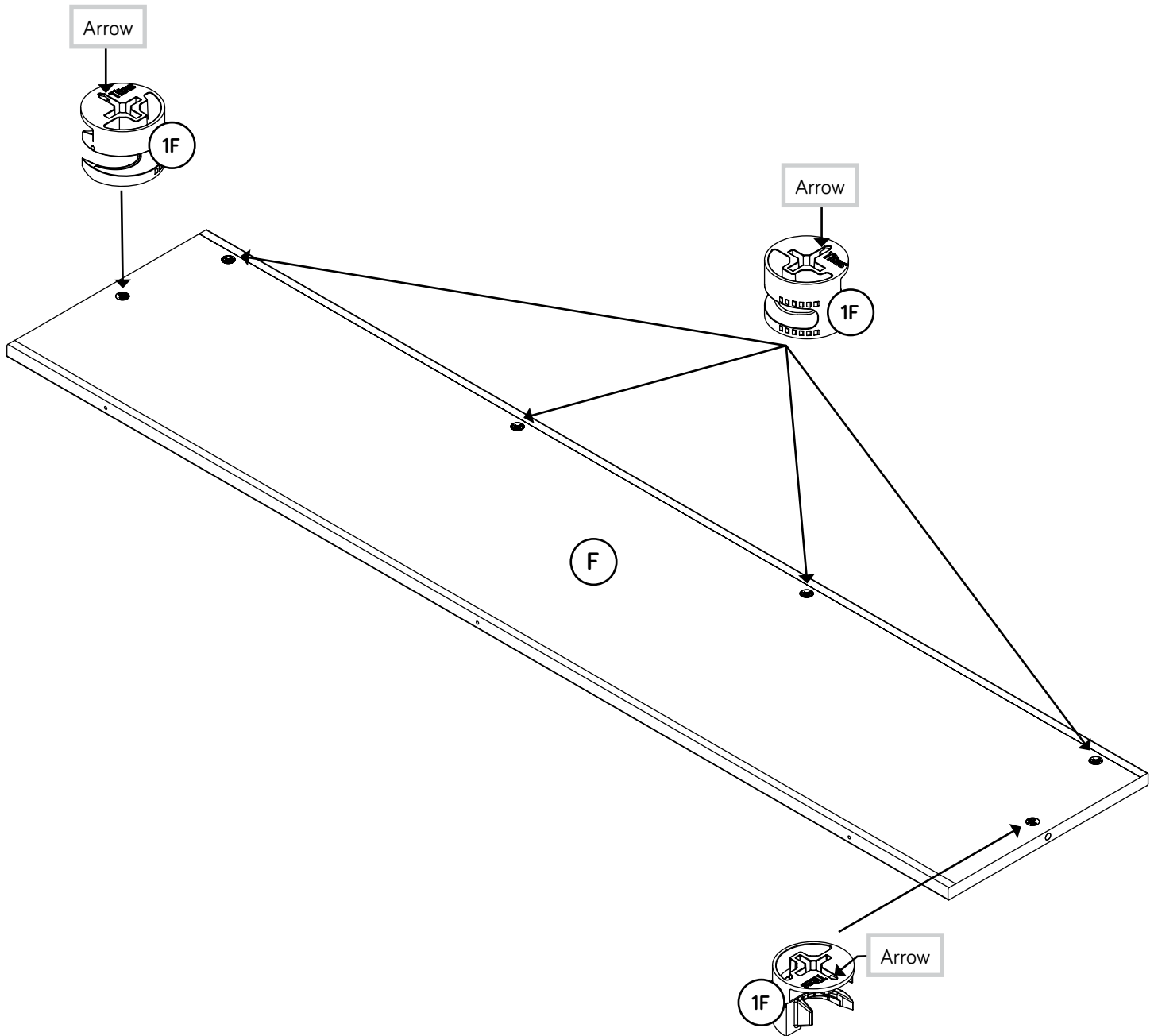


# Step 1

- ⚡ Assemble your unit on a carpeted floor or on the empty carton to avoid scratching your unit or the floor.
- ⚡ Push six HIDDEN CAMS (1F) into the UPPER BACK (F).

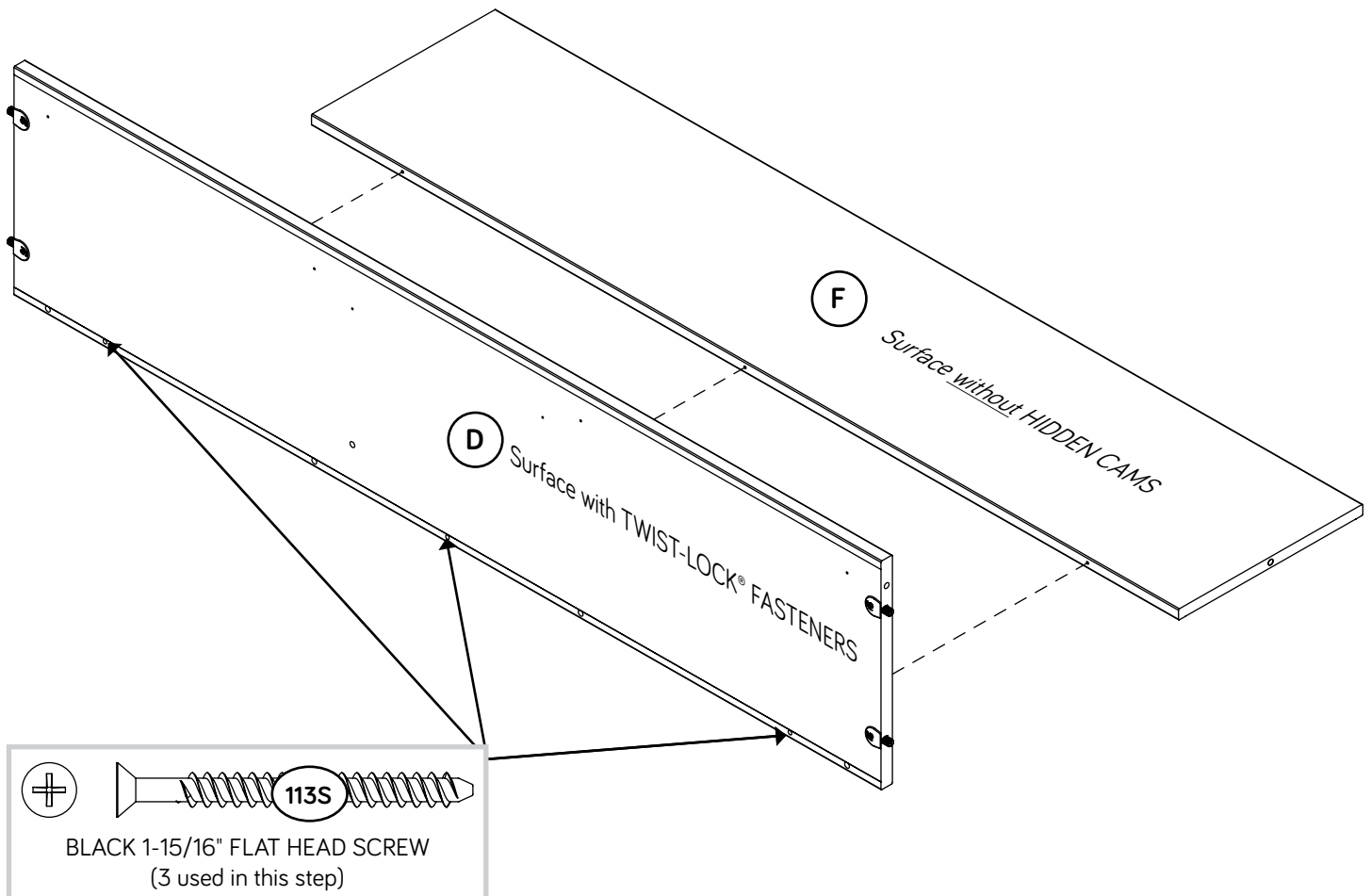


Just think. The sooner you do this, the sooner you do something else.



## Step 2

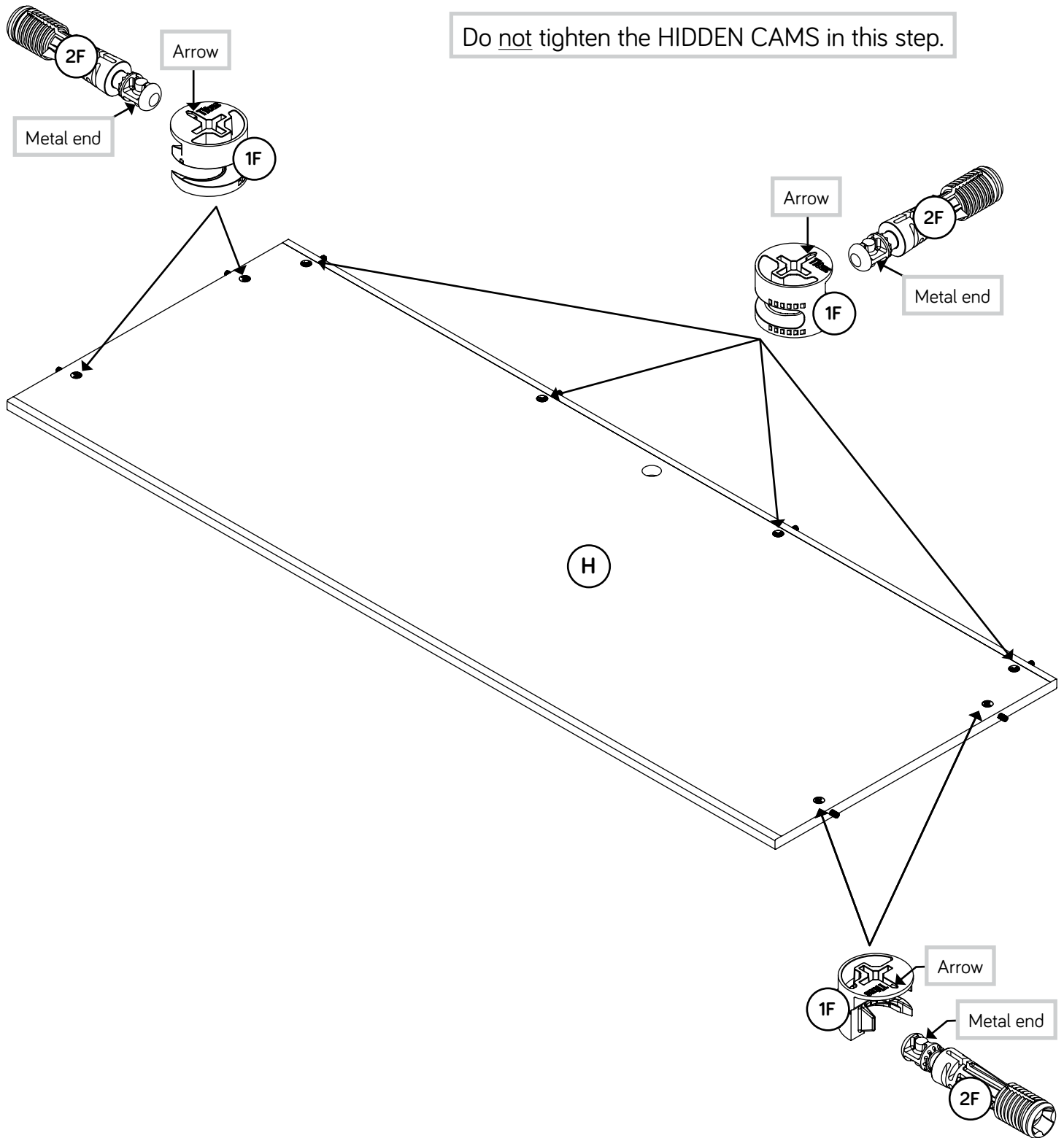
- ✚ Flip over the UPPER BACK (F) as shown.
- ✚ Fasten the FIXED SHELF (D) to the UPPER BACK (F). Use three BLACK 1-15/16" FLAT HEAD SCREWS (113S).
- ✚ NOTE: You should start each SCREW a few turns before completely tightening any of them.



# Step 3

- Push eight HIDDEN CAMS (1F) into the LOWER BACK (H). Then, insert the metal end of a CAM DOWEL (2F) into each HIDDEN CAM.

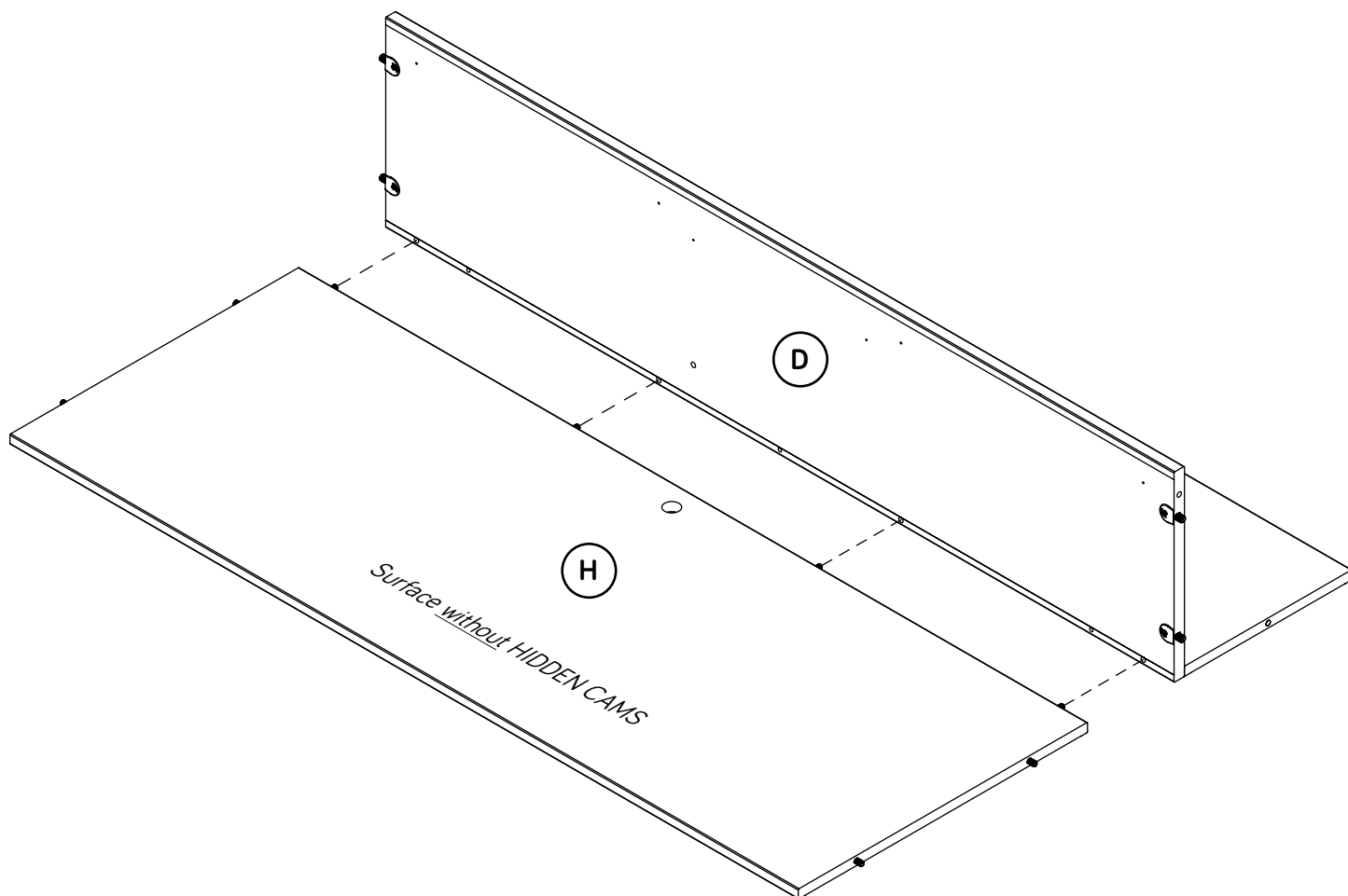
Do not tighten the HIDDEN CAMS in this step.





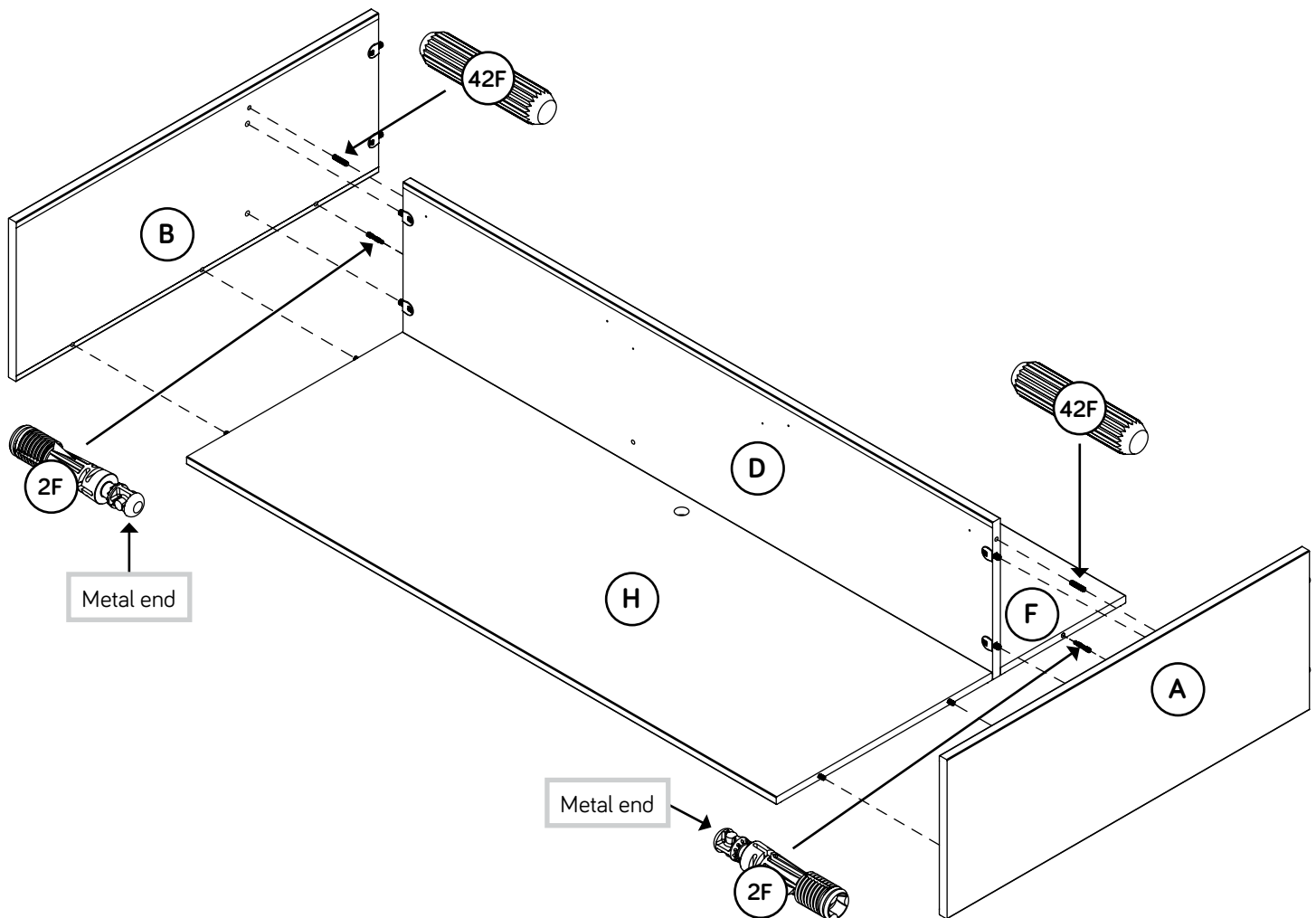
# Step 4

- ✚ Flip the LOWER BACK (H) over.
- ✚ Push the FIXED SHELF (D) onto the CAM DOWELS in the LOWER BACK (H).
- ✚ NOTE: Do not tighten the HIDDEN CAMS in this step.



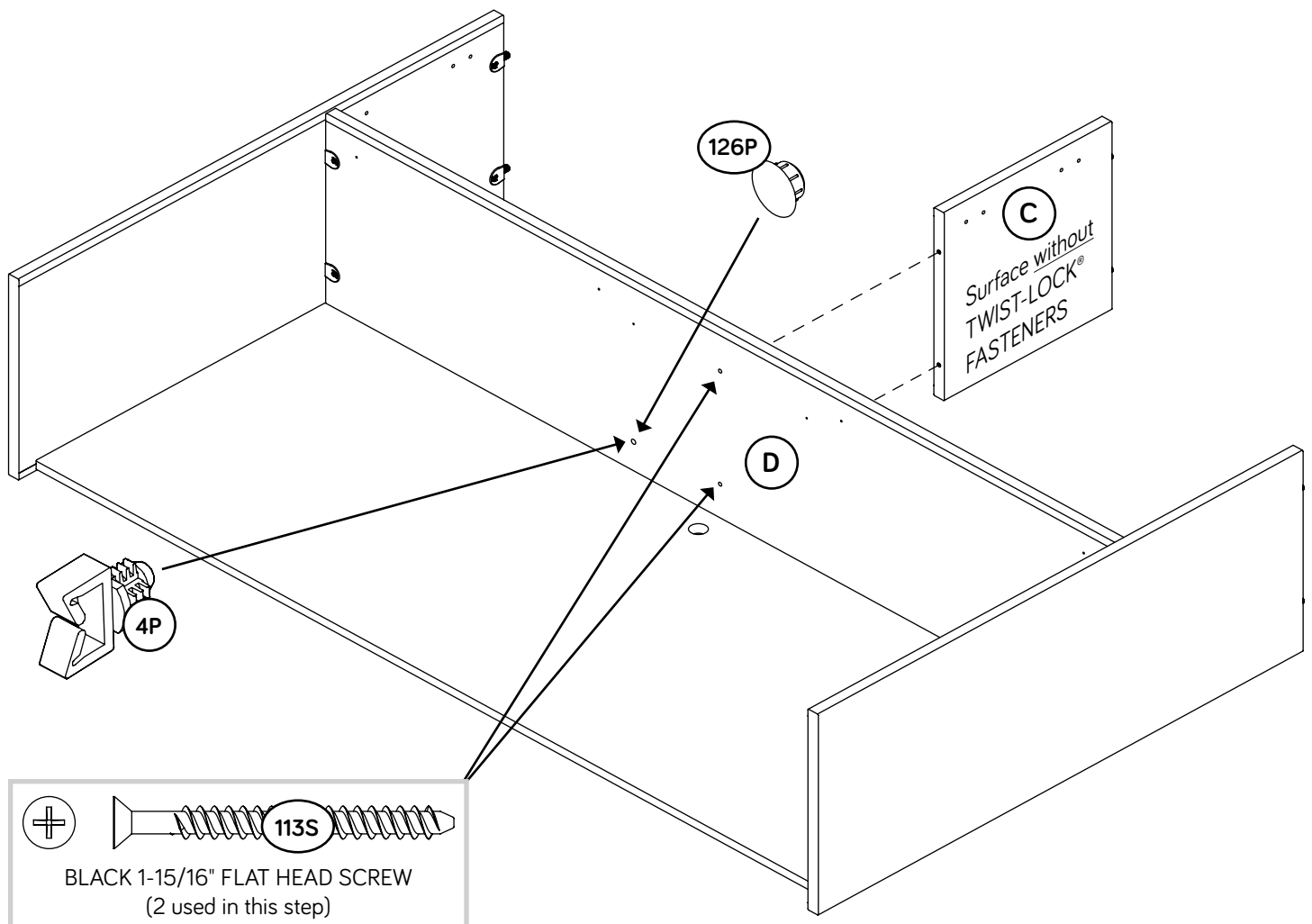
# Step 5

- ✚ Insert two WOOD DOWELS (42F) into the ENDS (A and B).
- ✚ NOTE: You may need to gently tap the WOOD DOWELS in with your hammer.
- ✚ Insert the metal end of two CAM DOWELS (2F) into the holes shown in the UPPER BACK (F).
- ✚ Fasten the ENDS (A and B) to the FIXED SHELF (D) and BACKS (F and H). Tighten four TWIST-LOCK® FASTENERS.
- ✚ NOTE: Be sure the WOOD DOWELS in the ENDS insert into the FIXED SHELF.
- ✚ NOTE: Do not tighten the HIDDEN CAMS in this step.



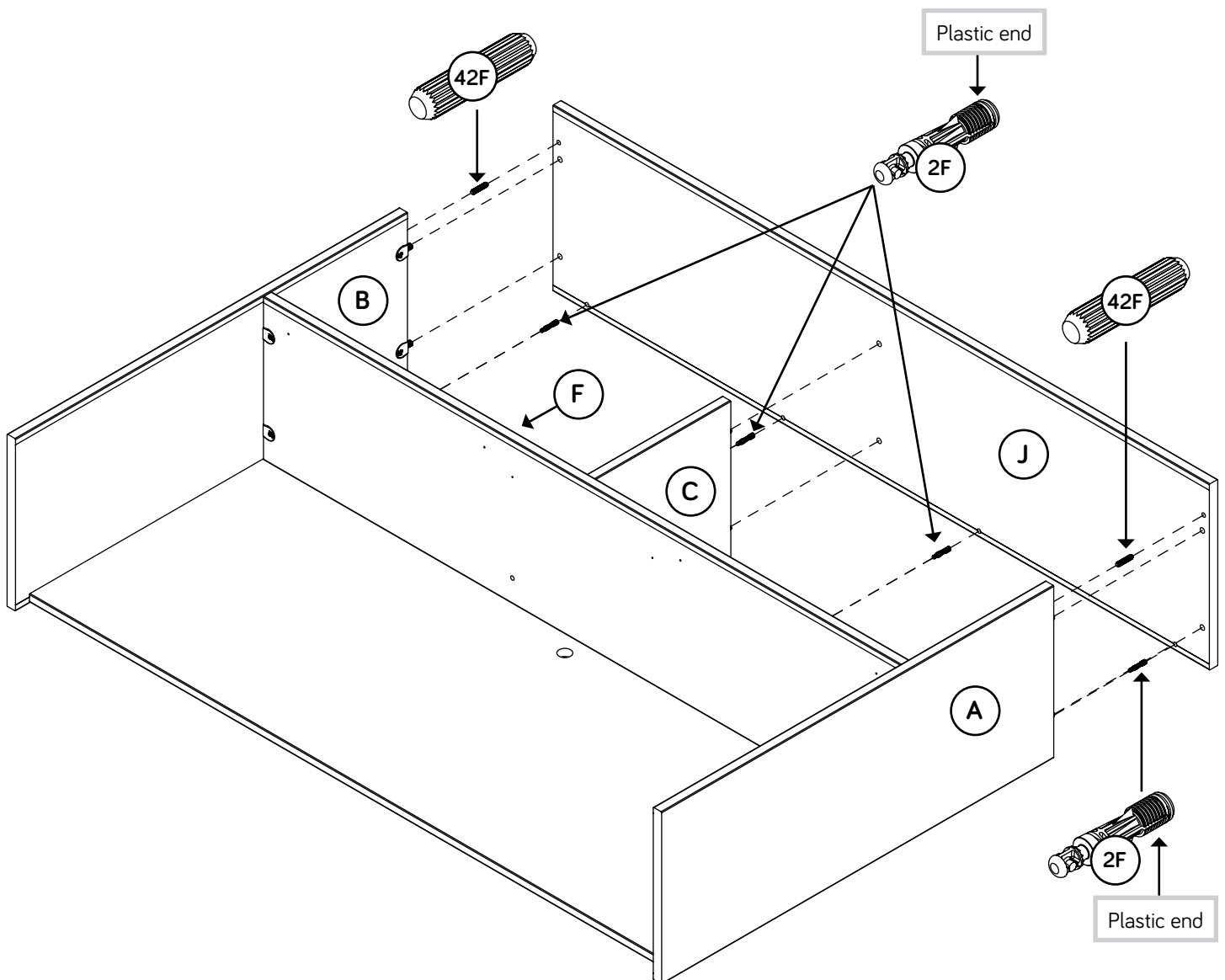
# Step 6

- ✚ Fasten the UPRIGHT (C) to the FIXED SHELF (D). Use two BLACK 1-15/16" FLAT HEAD SCREWS (113S).
- ✚ NOTE: You should start each SCREW a few turns before completely tightening any of them.
- ✚ If you purchased the LED Light (426494), push a CORD CLIP (4P) into the hole in the FIXED SHELF (D).
- ✚ NOTE: The CORD CLIP is used to hold the cord against the FIXED SHELF.
- ✚ If you did not purchase the LED Light (426494), push the HOLE PLUG (126P) into the hole in the FIXED SHELF (D).



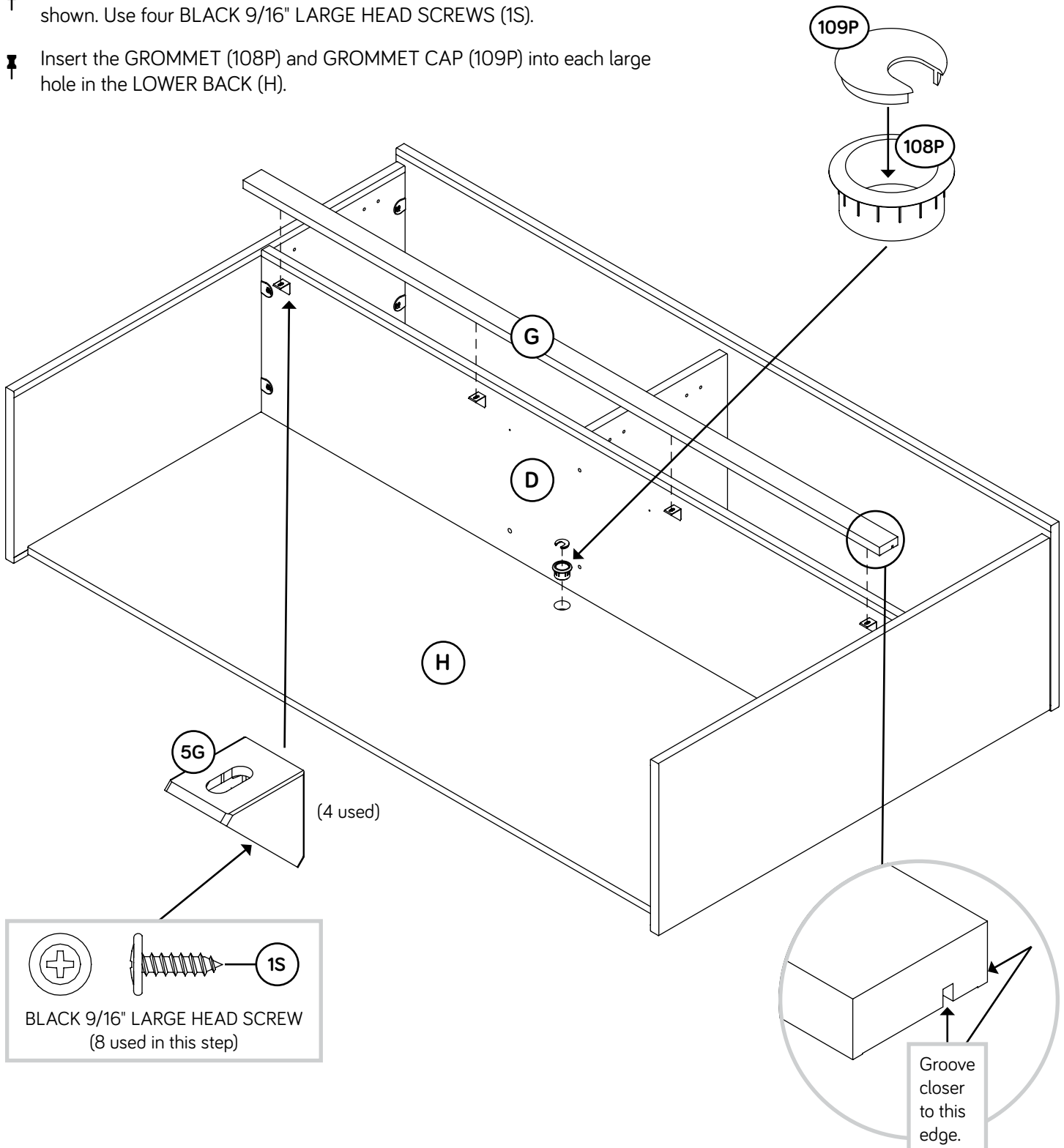
# Step 7

- ✚ Insert two WOOD DOWELS (42F) into the ENDS (A and B).
- ✚ NOTE: You may need to gently tap the WOOD DOWELS in with your hammer.
- ✚ Insert the plastic end of four CAM DOWELS (2F) into the holes shown in the TOP (J).
- ✚ Fasten the TOP (J) to the ENDS (A and B) and UPRIGHT (C). Tighten six TWIST-LOCK® FASTENERS.
- ✚ NOTE: Be sure the WOOD DOWELS in the ENDS insert into the TOP.
- ✚ NOTE: Do not tighten the HIDDEN CAMS in this step.



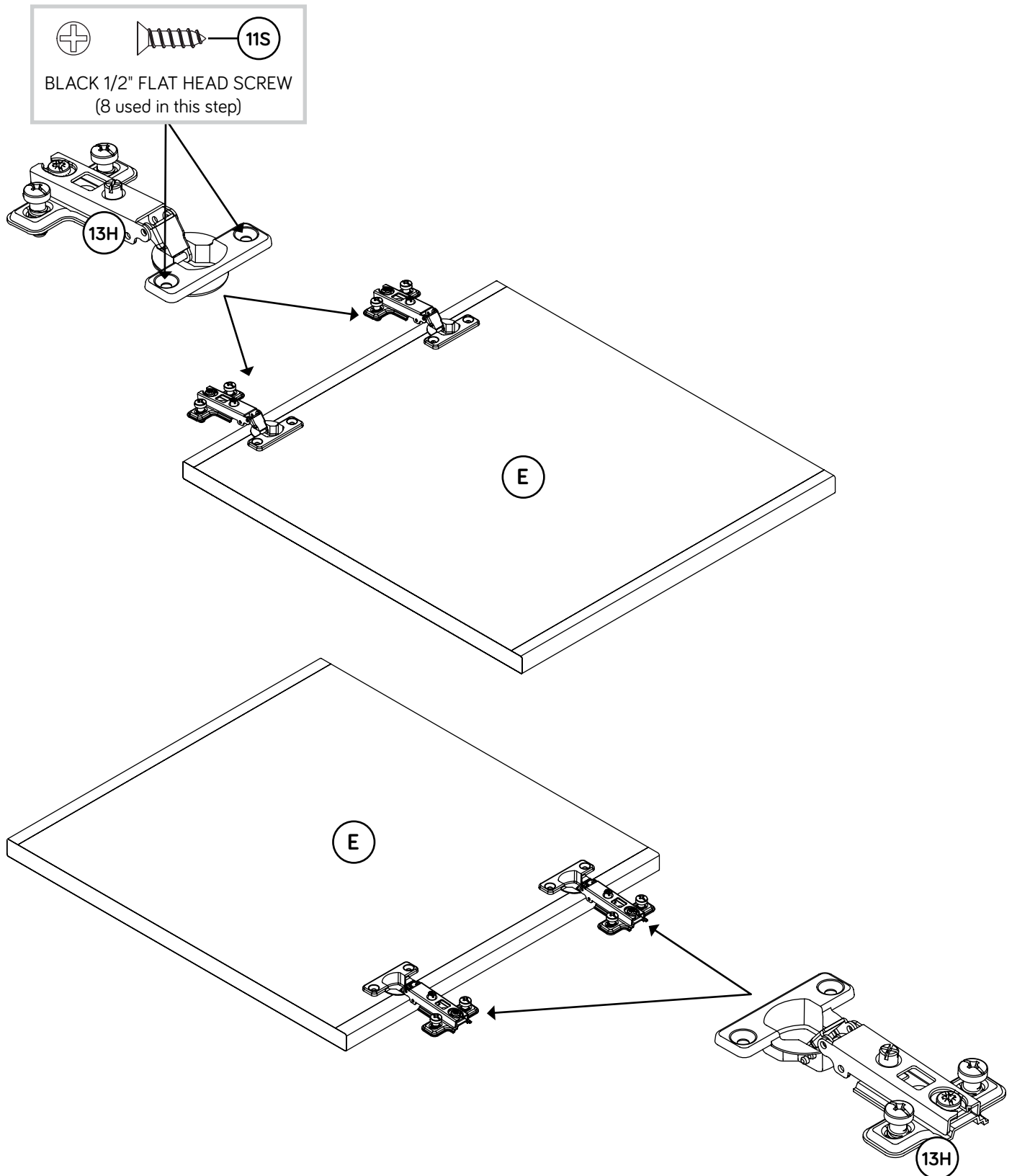
# Step 8

- Fasten the ANGLE BRACKETS (5G) to the FIXED SHELF (D). Use four BLACK 9/16" LARGE HEAD SCREWS (1S).
- Fasten the SHELF MOLDING (G) to the ANGLE BRACKETS (5G) as shown. Use four BLACK 9/16" LARGE HEAD SCREWS (1S).
- Insert the GROMMET (108P) and GROMMET CAP (109P) into each large hole in the LOWER BACK (H).



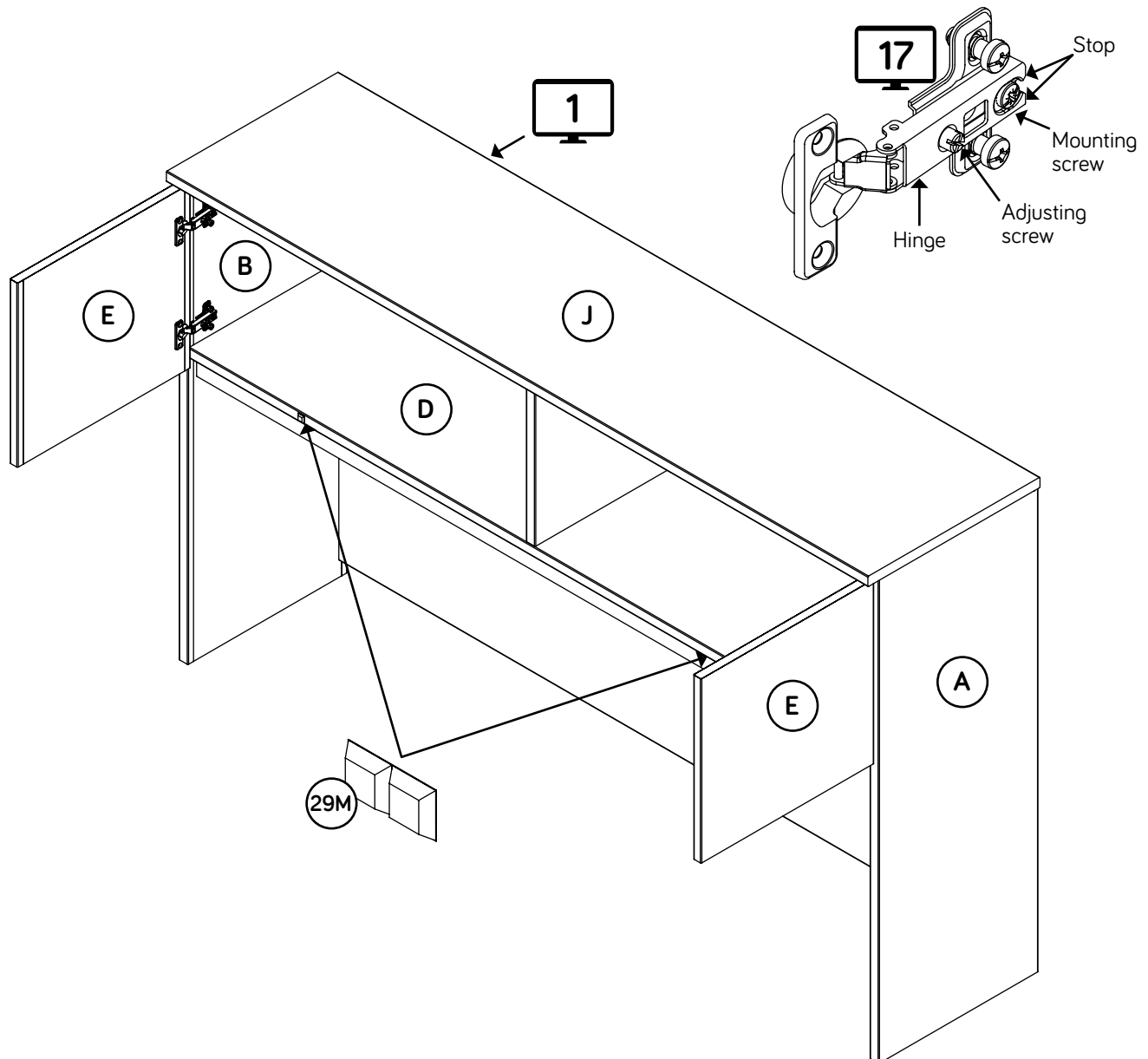
# Step 9

Fasten the STRAIGHT HINGES (13H) to the OUTER DOORS (E). Use eight BLACK 1/2" FLAT HEAD SCREWS (11S).



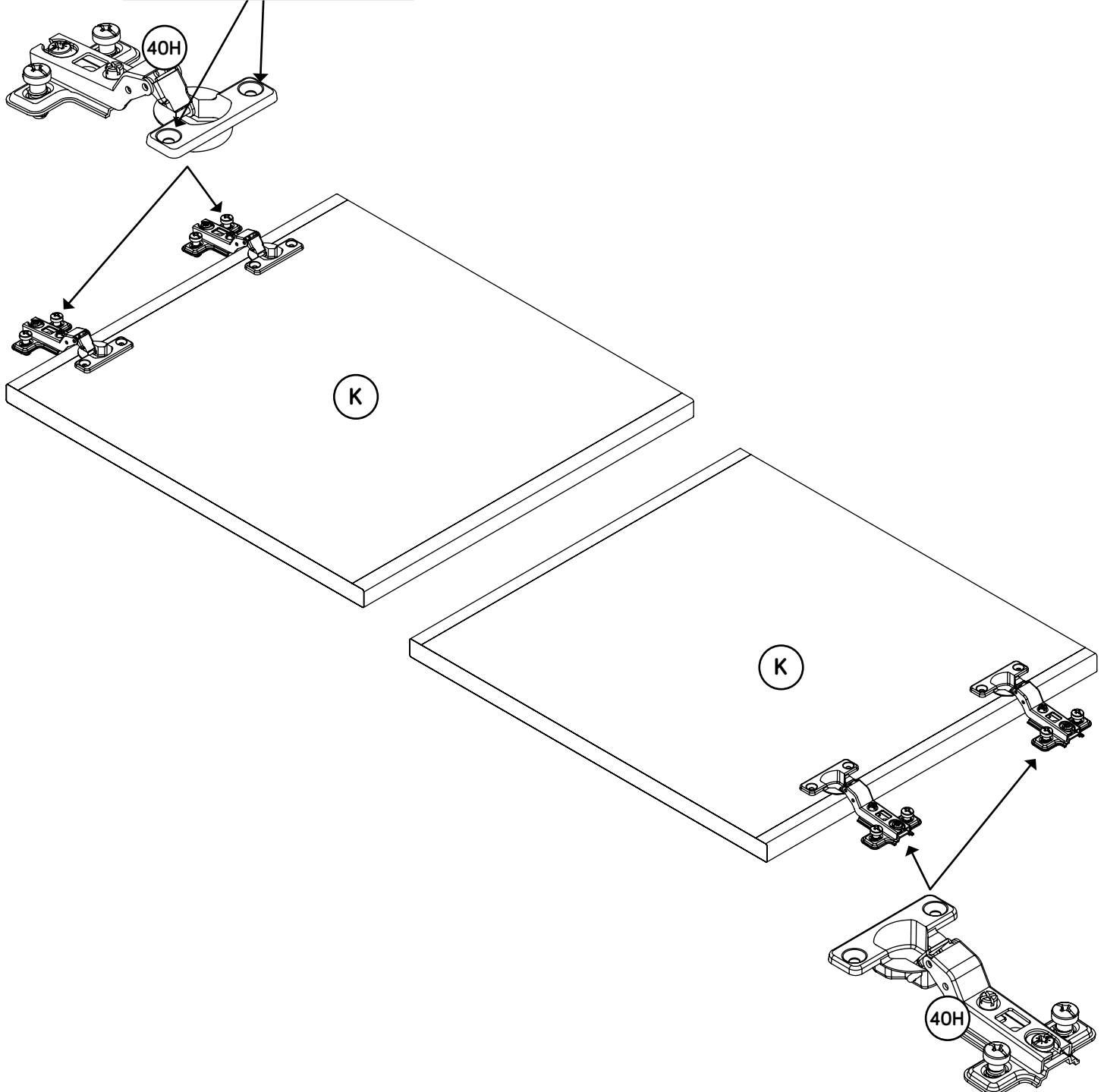
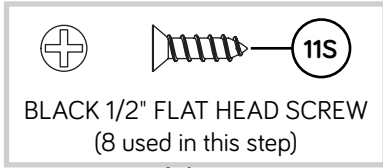
# Step 10

- ✚ Carefully stand your unit upright.
- ✚ Fasten the BACKS to the ENDS (A and B), FIXED SHELF (D), and TOP (J). Tighten fourteen HIDDEN CAMS.
- ✚ Before fastening the DOOR to your unit, be sure the mounting screw is against the stops as shown in the right diagram. If it isn't, loosen the adjusting screw and mounting screw to slide it against the stops. Then tighten the mounting screw.
- ✚ Fasten a OUTER DOOR (E) to the LEFT END (B) as shown in the lower diagram. Use the screws in the HINGES. You should start each SCREW a few turns before completely tightening any of them.
- ✚ Repeat this step for the other DOOR (E).
- ✚ Peel the BUMPERS from a BUMPER CARD (29M). Stick the BUMPERS on the FIXED SHELF (D) where it comes into contact with the OUTER DOORS (E).



# Step 11

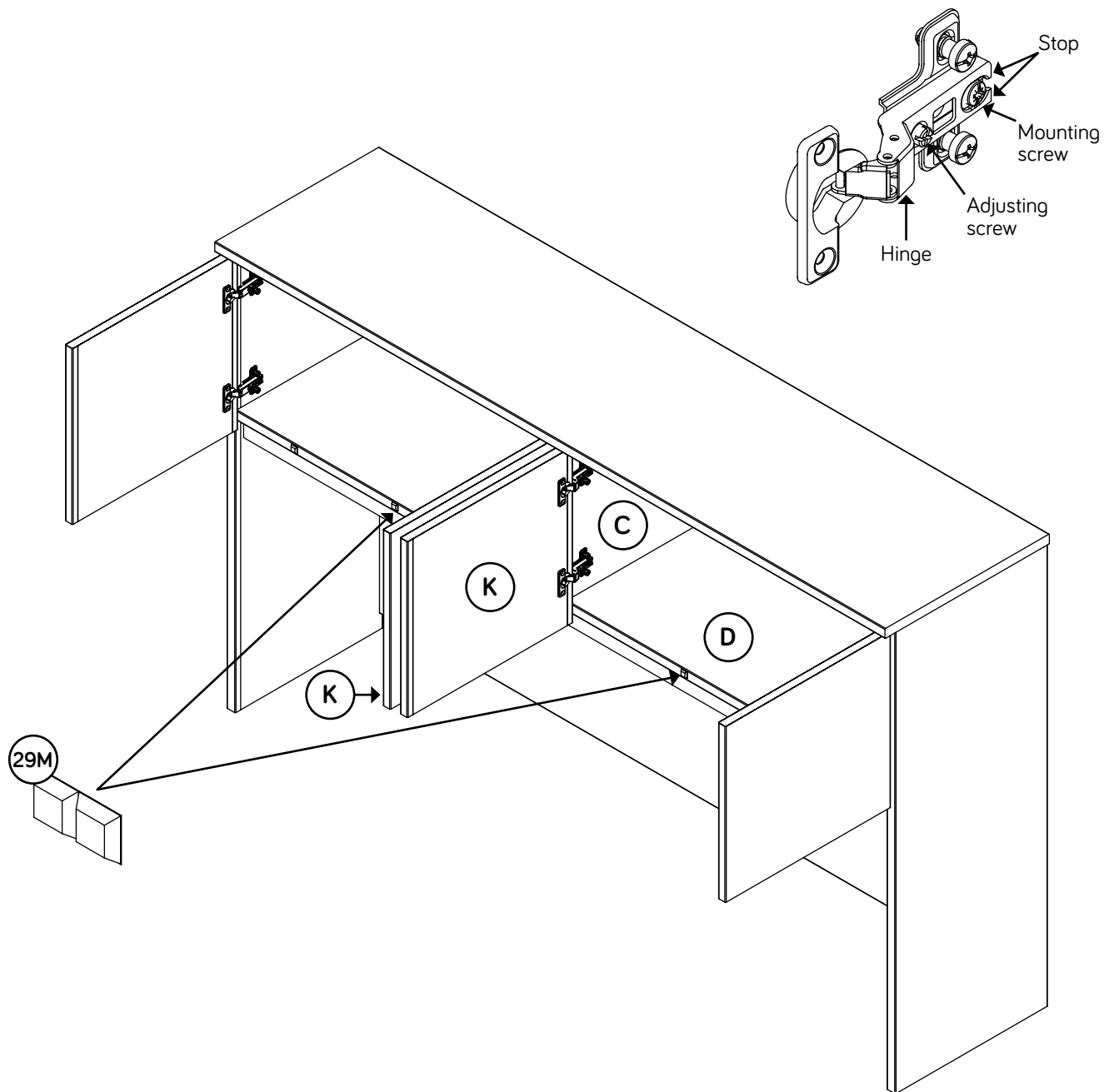
- Fasten the CURVED HINGES (40H) to the INNER DOORS (K).  
Use eight BLACK 1/2" FLAT HEAD SCREWS (11S).





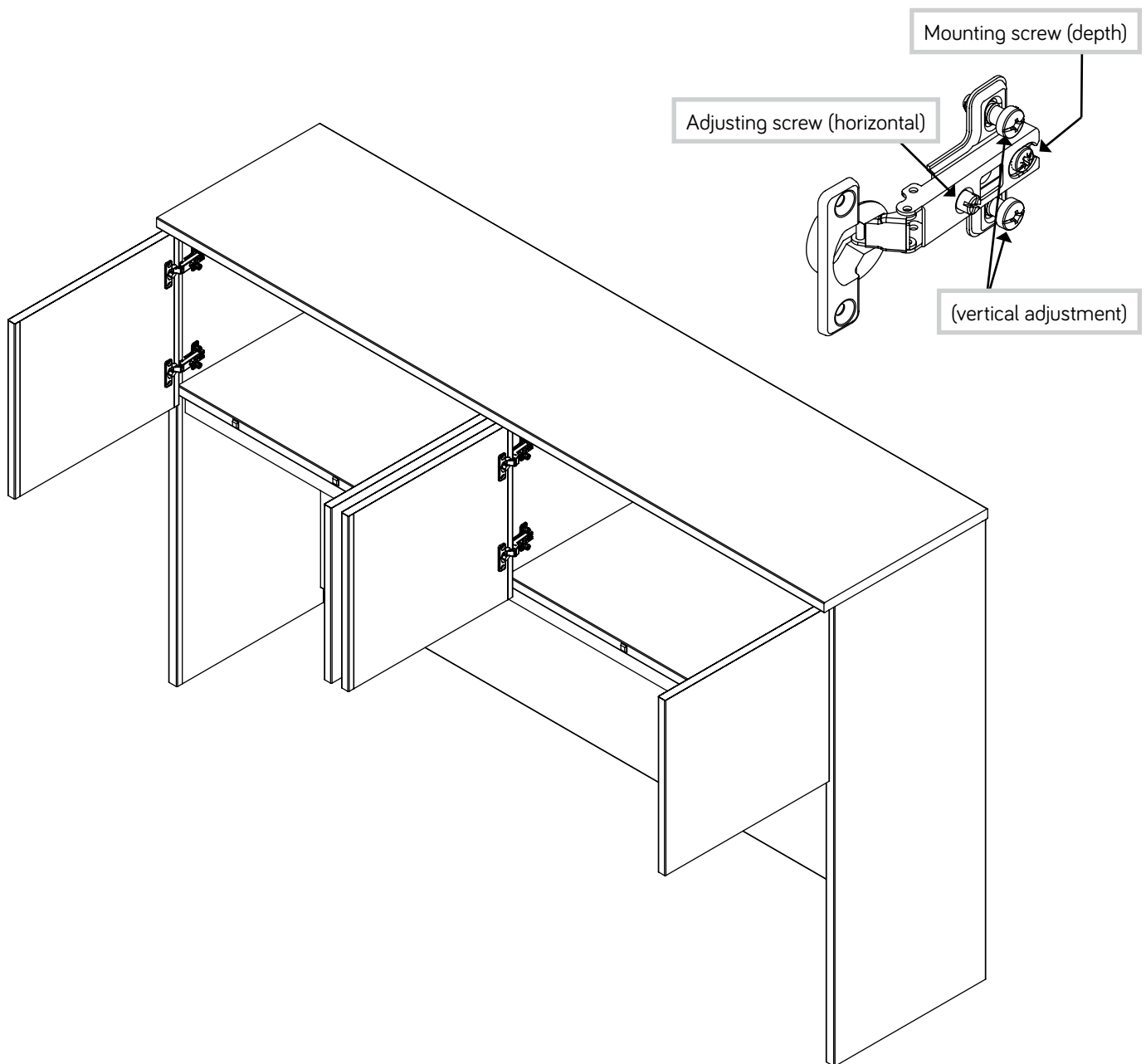
# Step 12

- ✚ Before fastening the DOOR to your unit, be sure the mounting screw is against the stops as shown in the right diagram. If it isn't, loosen the adjusting screw and mounting screw to slide it against the stops. Then tighten the mounting screw.
- ✚ Fasten a DOOR (K) to the UPRIGHT (C) as shown in the lower diagram. Use the screws in the HINGES. You should start each SCREW a few turns before completely tightening any of them.
- ✚ Repeat this step for the other DOOR (K).
- ✚ Peel the BUMPERS from the remaining BUMPER CARD (29M). Stick the BUMPERS on the FIXED SHELF (D) where it comes into contact with the INNER DOORS (K).
- ✚ See the next step for DOOR adjustments.



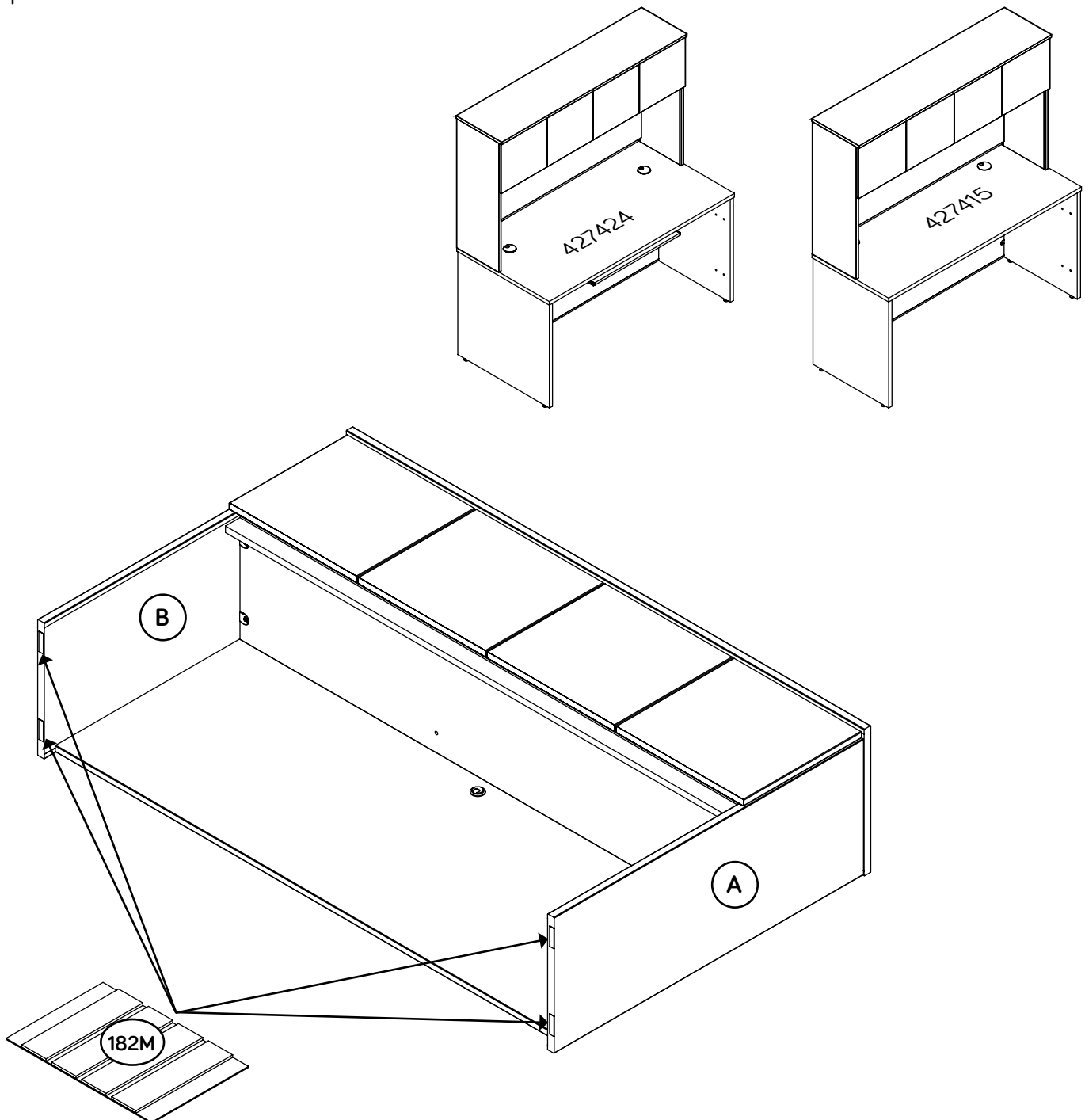
# Step 13

- ✚ Refer to the enlarged diagram to identify the parts on the HINGE.
- ✚ The DOORS may need some adjustments. Follow the text below to make needed adjustments.
- ✚ DOOR ADJUSTMENTS:
  - To adjust the DOOR from side to side (horizontal), turn the adjusting screw in or out.
  - To adjust the DOOR up and down (vertical), loosen both vertical adjustment screws. Move the DOOR up or down to the desired location. Tighten the screws after making adjustments.
  - To adjust the DOOR in or out (depth), loosen the mounting screw one turn and move the DOOR in or out, as needed. Tighten the mounting screw after making adjustments.



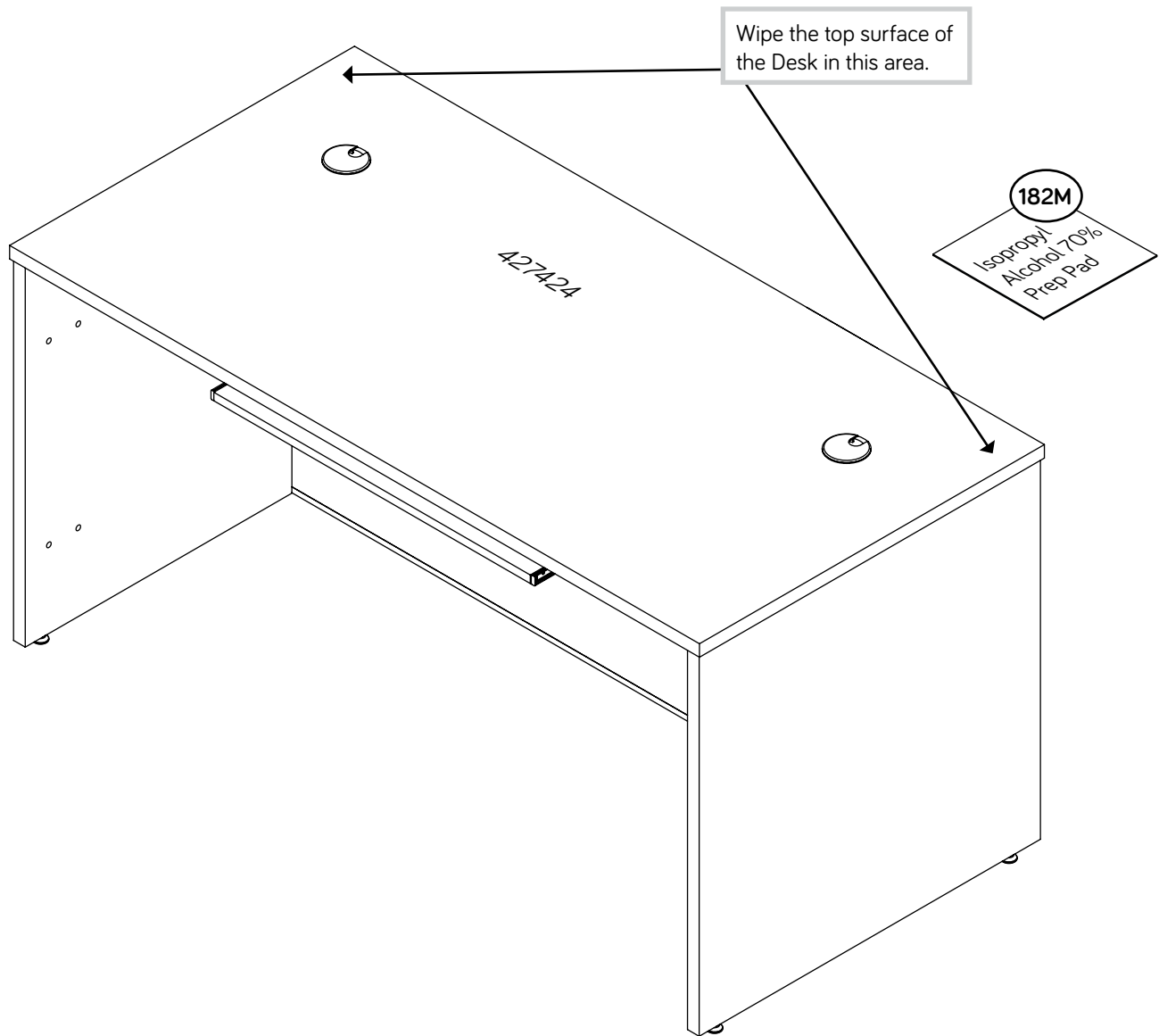
# Step 14

- ✦ You have the option to have the Hutch on the 427415 or 427424.
- ✦ This book will show the Hutch being attached to the 427424.
- ✦ Carefully lay your unit onto its back edges.
- ✦ Open the TAPE CARD/PREP PAD KIT (182M). Peel four double stick strips from the TAPE CARD and stick them onto the bottom edges of the ENDS (A and B) as shown.
- ✦ Next, peel the paper covering from the double stick strips.



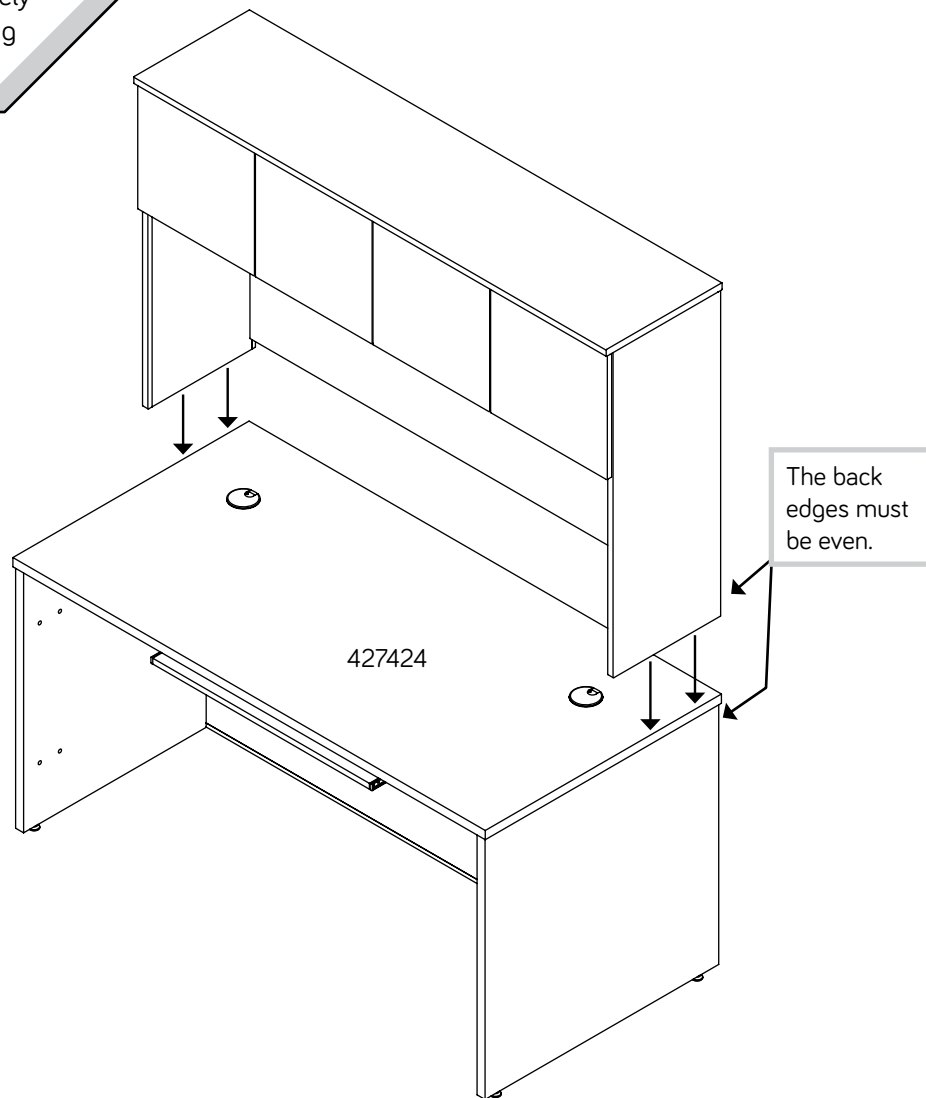
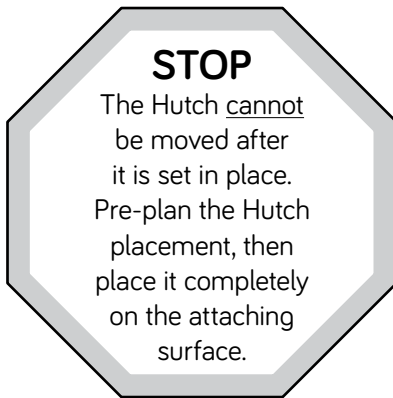
# Step 15

- ✦ Open the Alcohol Prep Pad to wipe the top surface of the 427424 or 427415 Desk as shown.



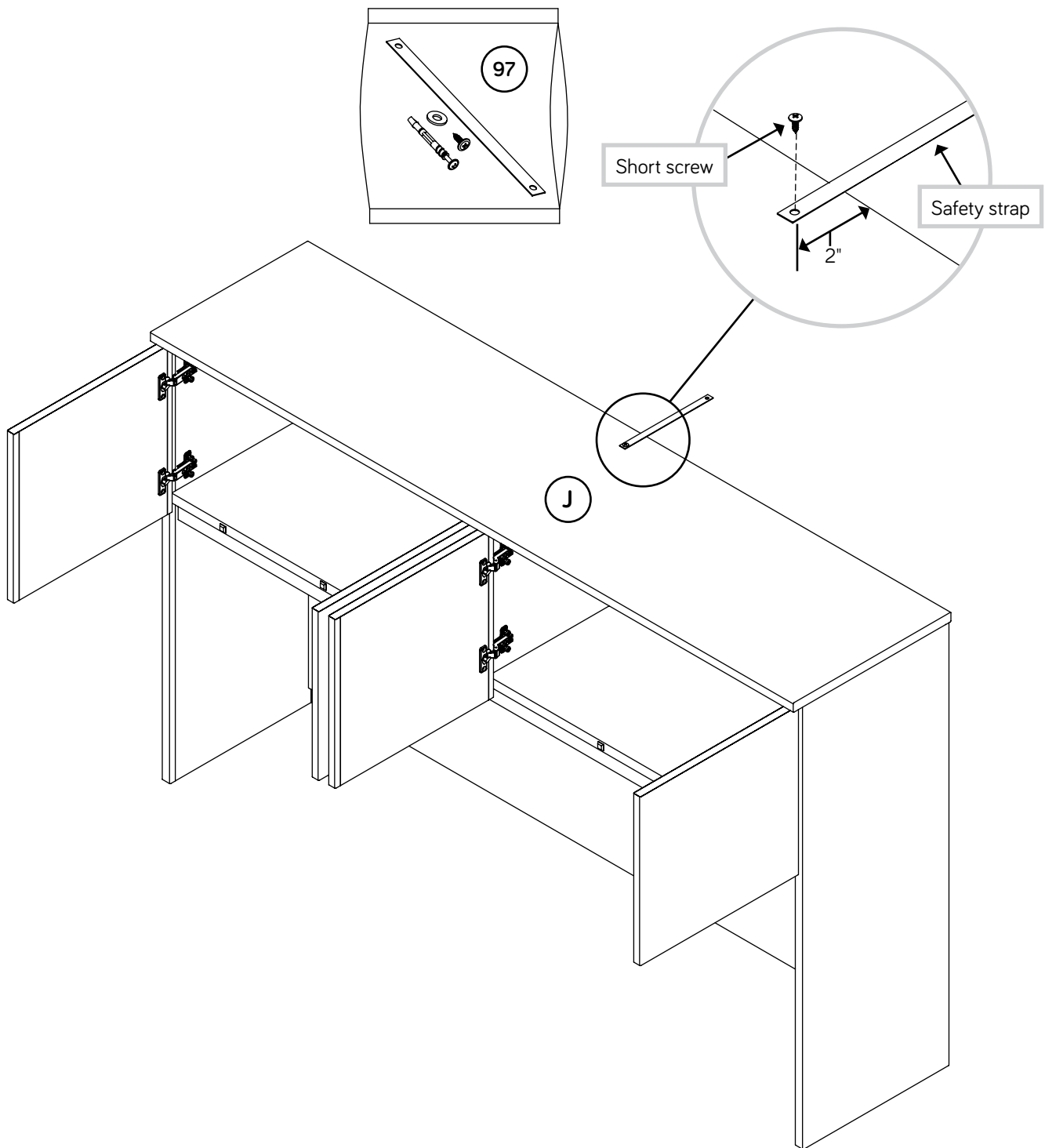
# Step 16

- ✚ **IMPORTANT:** The Hutch cannot be moved after it is set in place. Pre-plan the Hutch placement, then place it completely on the attaching surface.
- ✚ With the help of another person, carefully center the Hutch onto your 427424 or 427415 Desk.
- ✚ **NOTE:** The back edges of the Hutch and Desk must be even.



# Step 17

- ✚ Position your unit in its final location.
- ✚ Open the FURNITURE TIPPING RESTRAINT KIT (97) and fasten the SAFETY STRAP to the TOP (J). There is no pre-drilled hole. Use extra force when turning the provided short screw into your desired location in the TOP.
- ✚ NOTE: Position the SAFETY STRAP hole 2" in from the back edge of the TOP.



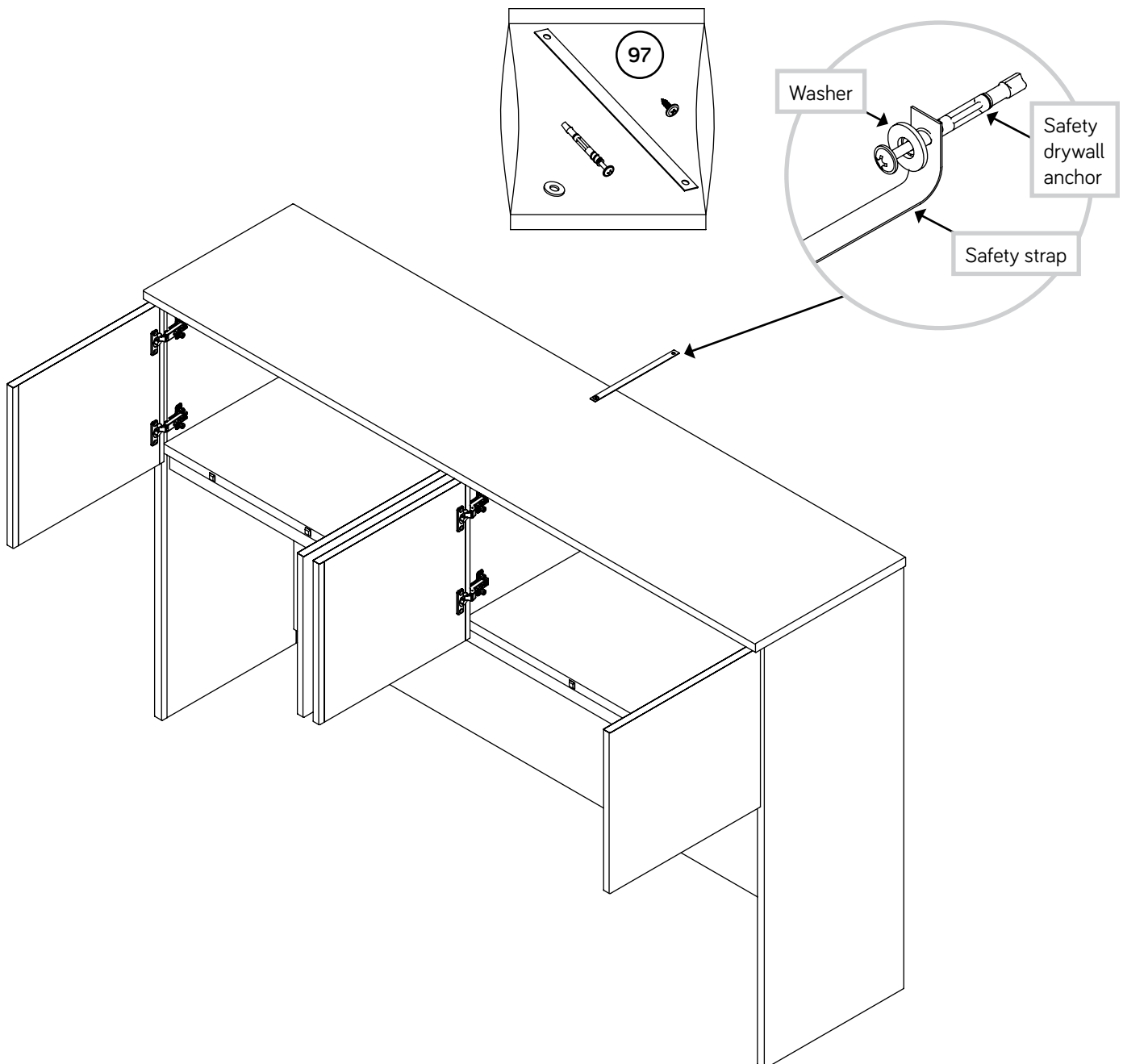
# Step 18

⚠ **NOTE:** Do not turn the SAFETY DRYWALL ANCHOR into a wall stud. If you prefer to fasten the SAFETY STRAP to a wall stud, go to your local hardware store for proper hardware.

⚠ **INSTALLATION INSTRUCTIONS:**

1. Insert the SAFETY DRYWALL ANCHOR through the WASHER and the end of the SAFETY STRAP.
2. Using a Phillips screwdriver or a hand drill, press the screw slightly onto the drywall.
3. Apply pressure; turn the screw until a pilot hole is made and the nylon sheath slips through.
4. Turn the screw until it is flush against the wall and you feel a firm resistance.
5. Continue to turn until the screw starts spinning freely.

⚠ **NOTE:** Before moving your unit to a different location, unscrew the SAFETY DRYWALL ANCHOR from your wall. The nylon sheath will remain behind your wall.



# Step 19

- ✚ Using your hammer, gently tap a CAM COVER (129P) onto each visible HIDDEN CAM.
- ✚ Using your hammer, gently tap a TWIST-LOCK® FASTENER COVER (125P) onto each visible TWIST-LOCK® FASTENER.
- ✚ Insert the HOLE PLUG (126P) into the unused hole.
- ✚ For long-term care and maintenance of your unit, you may touch up the edges with the TOUCH-UP PEN (10M).
- ✚ **NOTE:** Please read the back pages of the instruction booklet for important safety information.
- ✚ This completes assembly. Clean with a damp cloth. Wipe dry.

