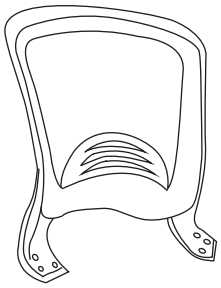


Ax1



Ex4



M6x20mm

Bx1

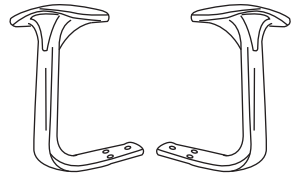


Fx12



M6x30mm

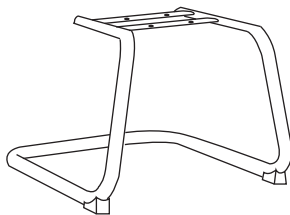
Cx1(L)x1(R)



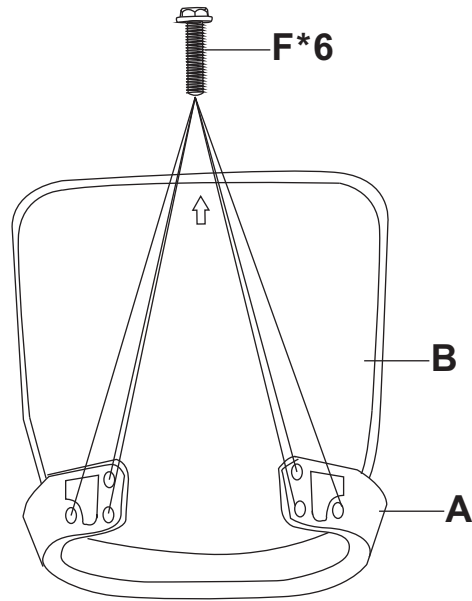
Gx1



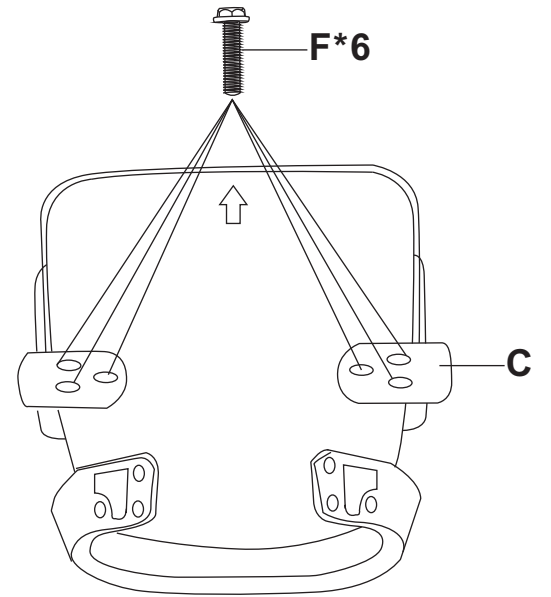
Dx1



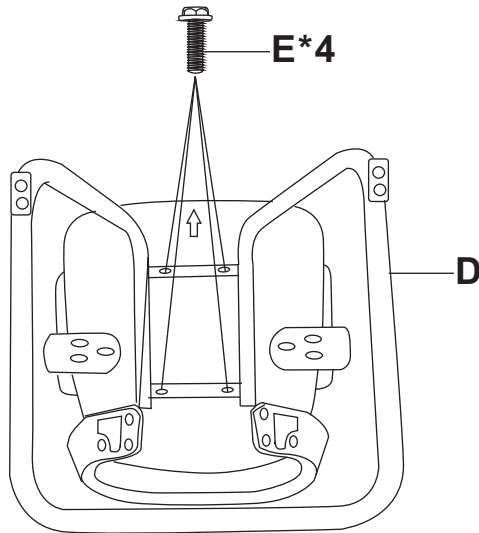
1



2



3



4

