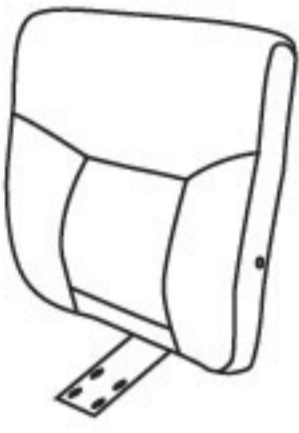
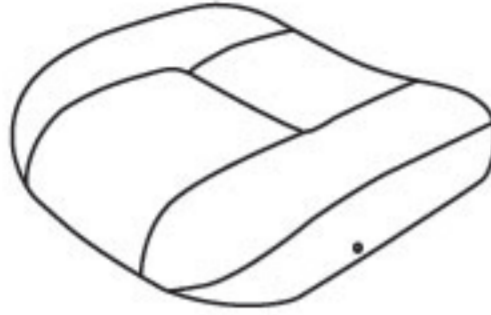


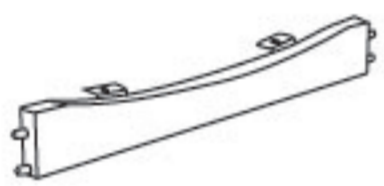
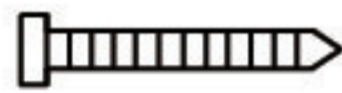





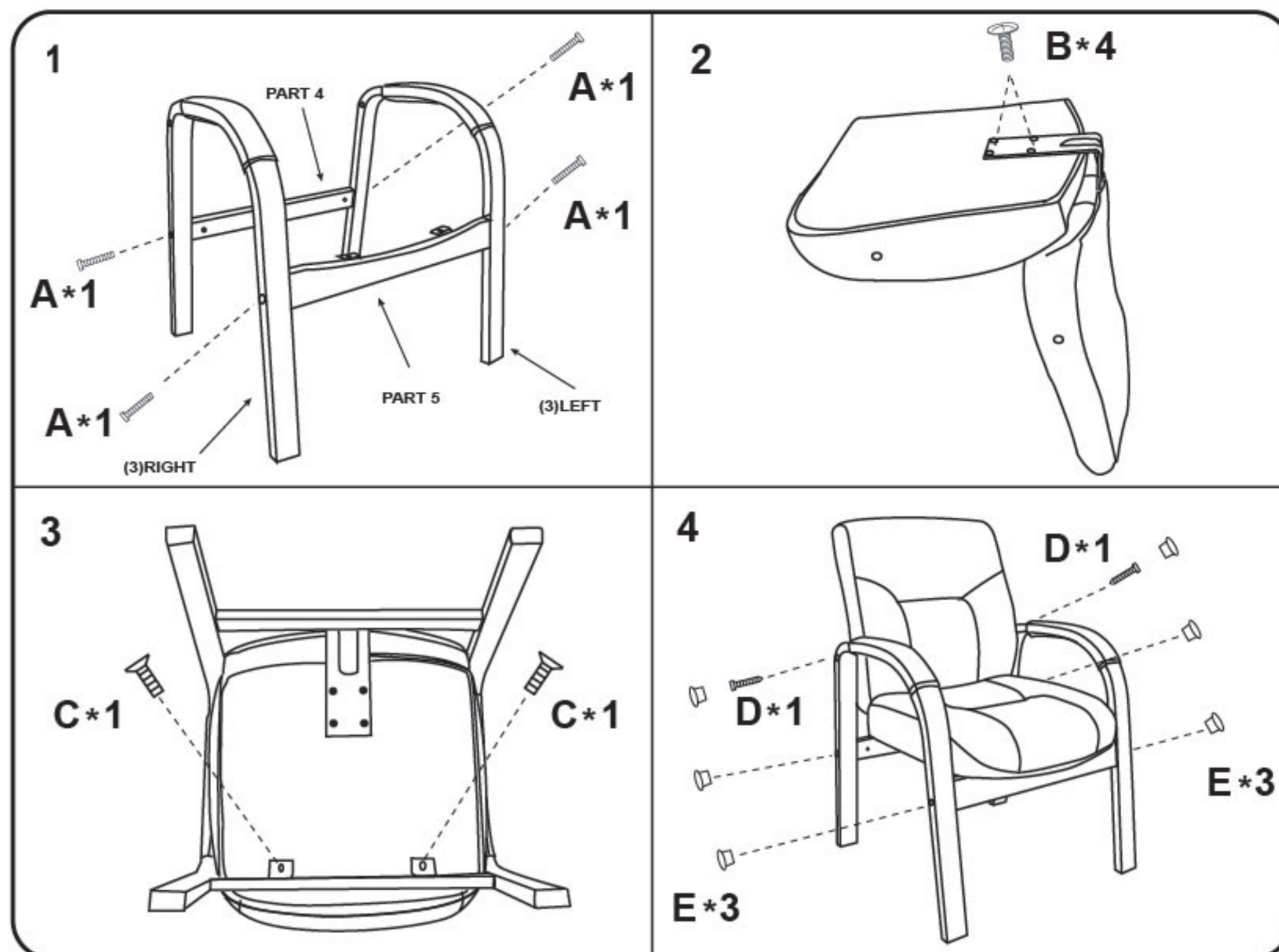


**IMPORTANT NOTICE:
 HARDWARE PACKAGE IS ATTACHED ON THE
 BOTTOM OF SEAT CUSHION.**

(1)x1	(2)x1	(3)x1 (L)x1 (R)
		
Back Cushion	Seat Cushion	Wood Frame
(4)x 1	(5)x1	
		
Back Bar	Front Bar	
(A)x4		M6*50 Frame Screw
(B)x4		M6*25 L-bar
(C)x2		M6*25 Front Bar
(D)x2		M6*50 Arm Screw
(E)x6		Wood Caps
(F)x1		Allen key



NOTE: Before insert all 6 (E) wood caps to screw holes:
 1. Lightly tighten the screws indicate on step 1.
 2. Tighten ALL 6 screws on step 4, then insert ALL 6 (D) wood caps to finish.

Insert and loosely tighten all screws. When assembly is completed, fully tighten all screws before using. This chair is only intended for sitting. Any other use will void the warranty.

Teknik Office Ltd, West One 63-67 Bromham Road, Bedford, MK40 2FG
 TEL:01234 328804 FAX:01234 342446

If you encounter any problems with the operation of your chair, please refer to the downloads section of our web site - www.teknikoffice.co.uk

