

**TEKNIK OFFICE LTD.**

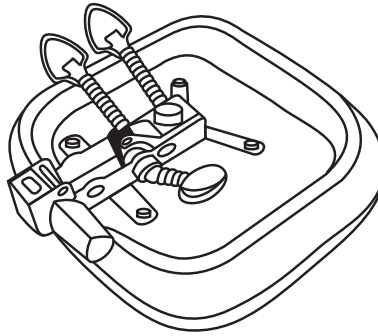
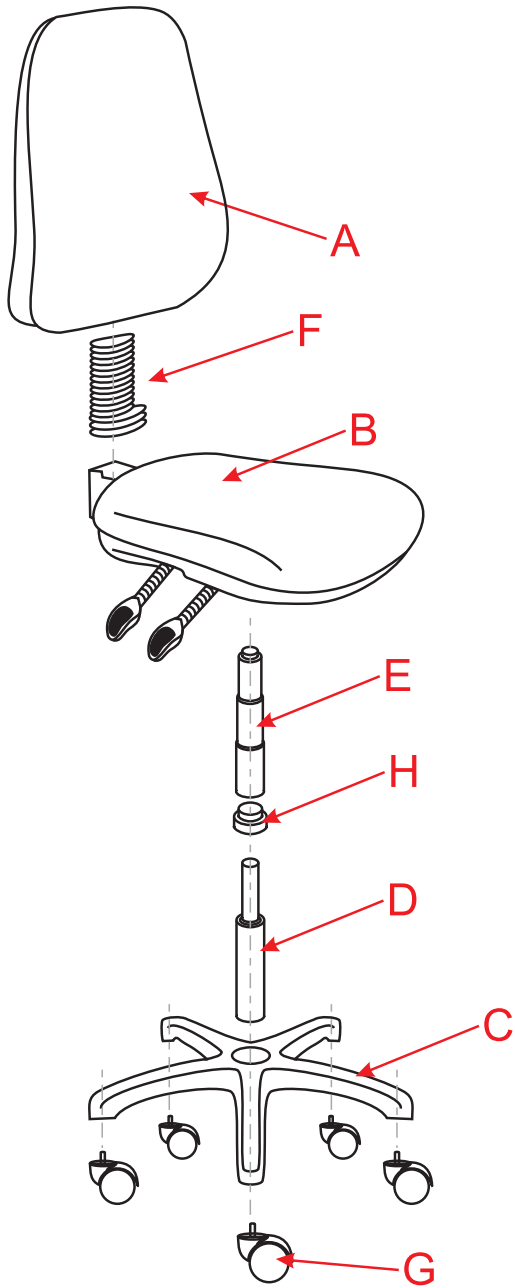
Phone: 01234 328804

Fax: 01234 342446

E-mail: CustomerService@teknikoffice.co.uk

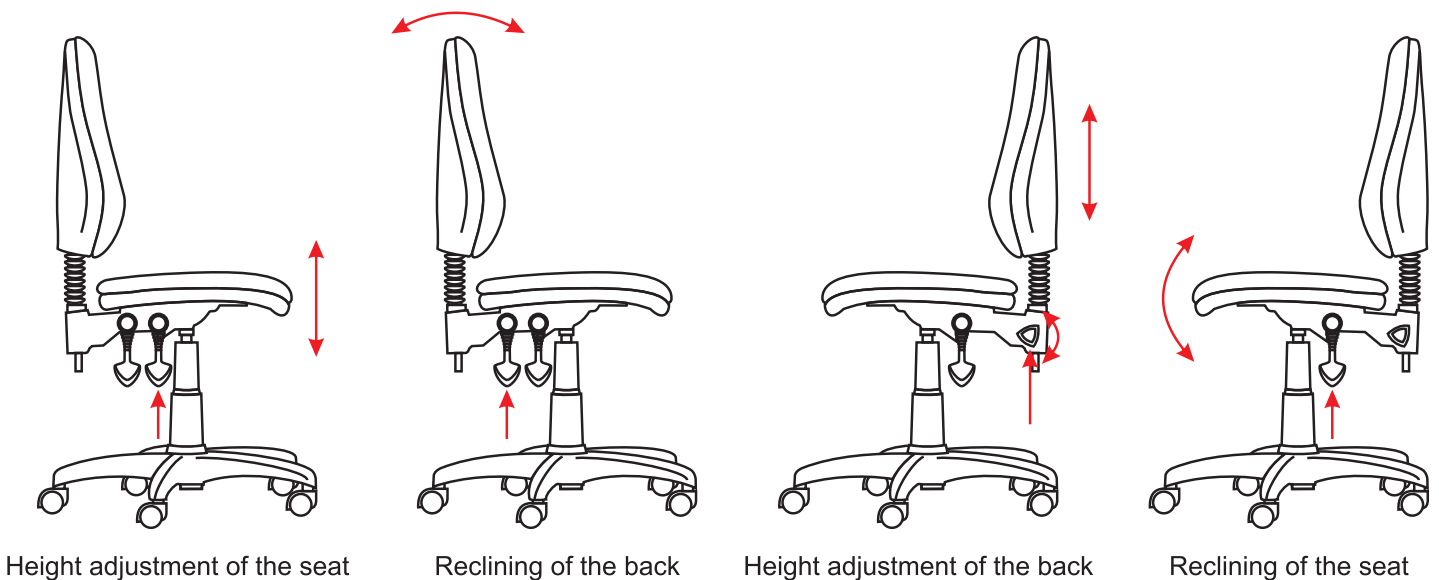
**ASSEMBLY INSTRUCTION**

**ERGO TRIO  
THREE LEVER**



A	x1	B	x1	C	x1
D	x1	E	x1	F	x1
G	x5	H	x1		

**OPERATING INSTRUCTION**



Height adjustment of the seat

Reclining of the back

Height adjustment of the back

Reclining of the seat