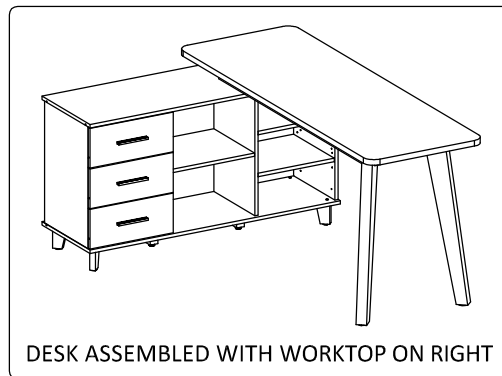
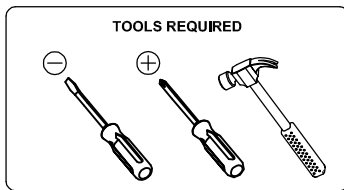
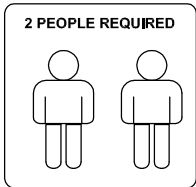
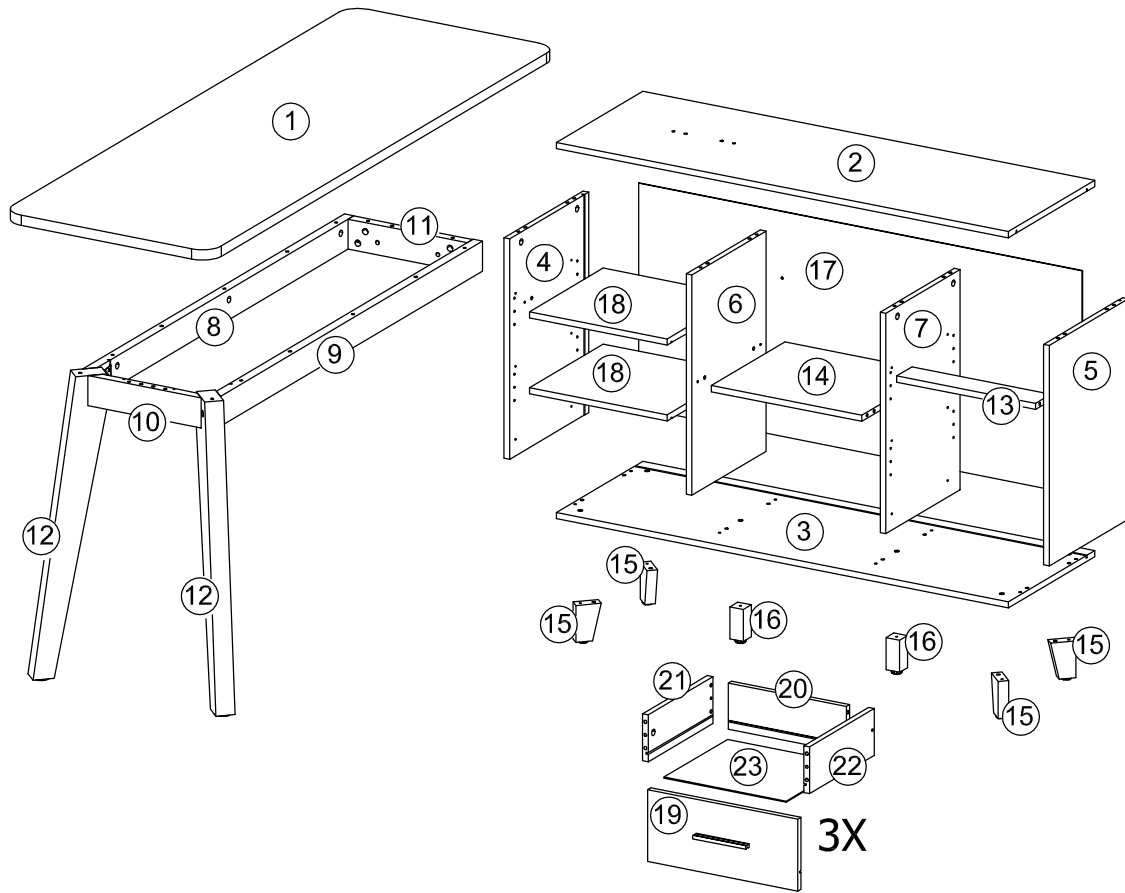




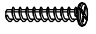


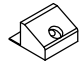





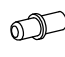

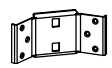





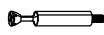






Teknik

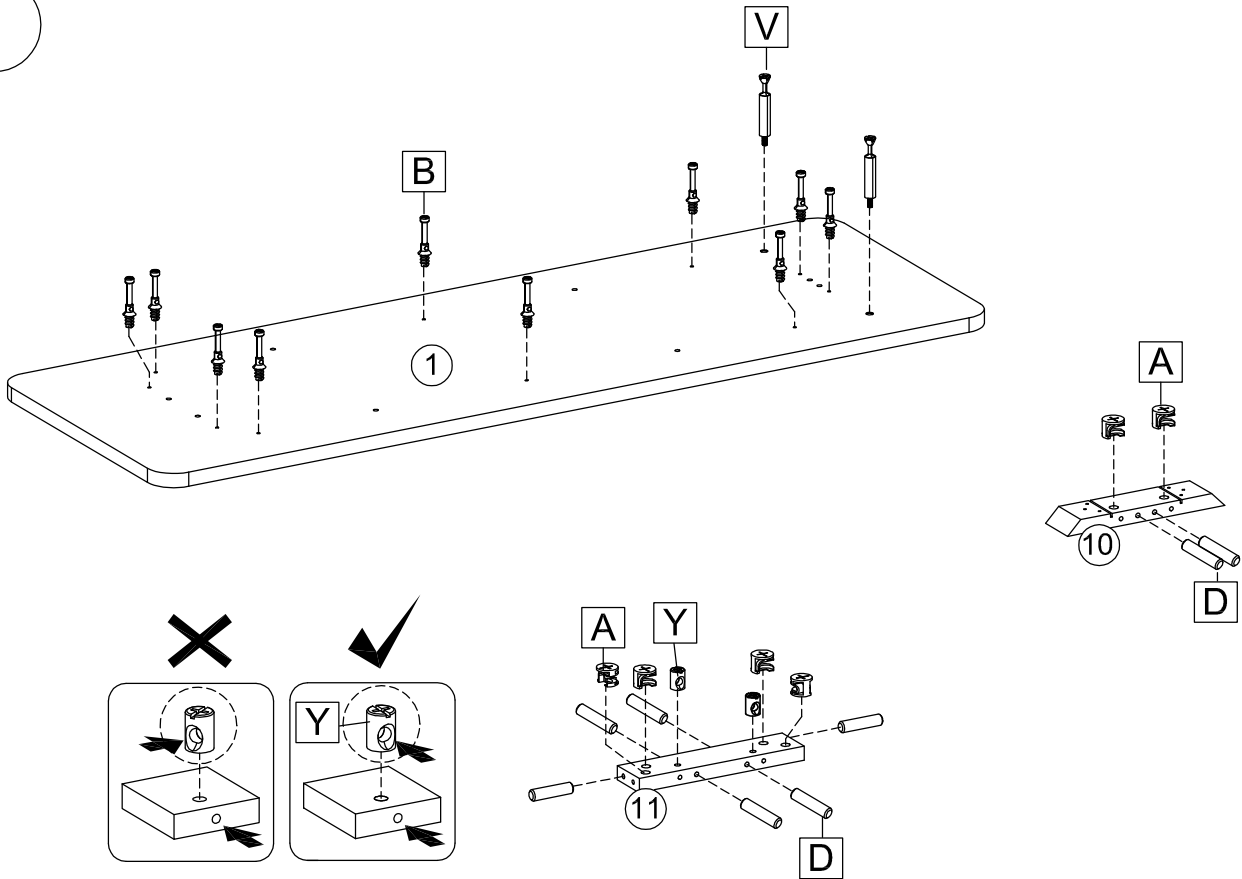
AXIS DESK BEAUFORT OAK & GREY EFFECT



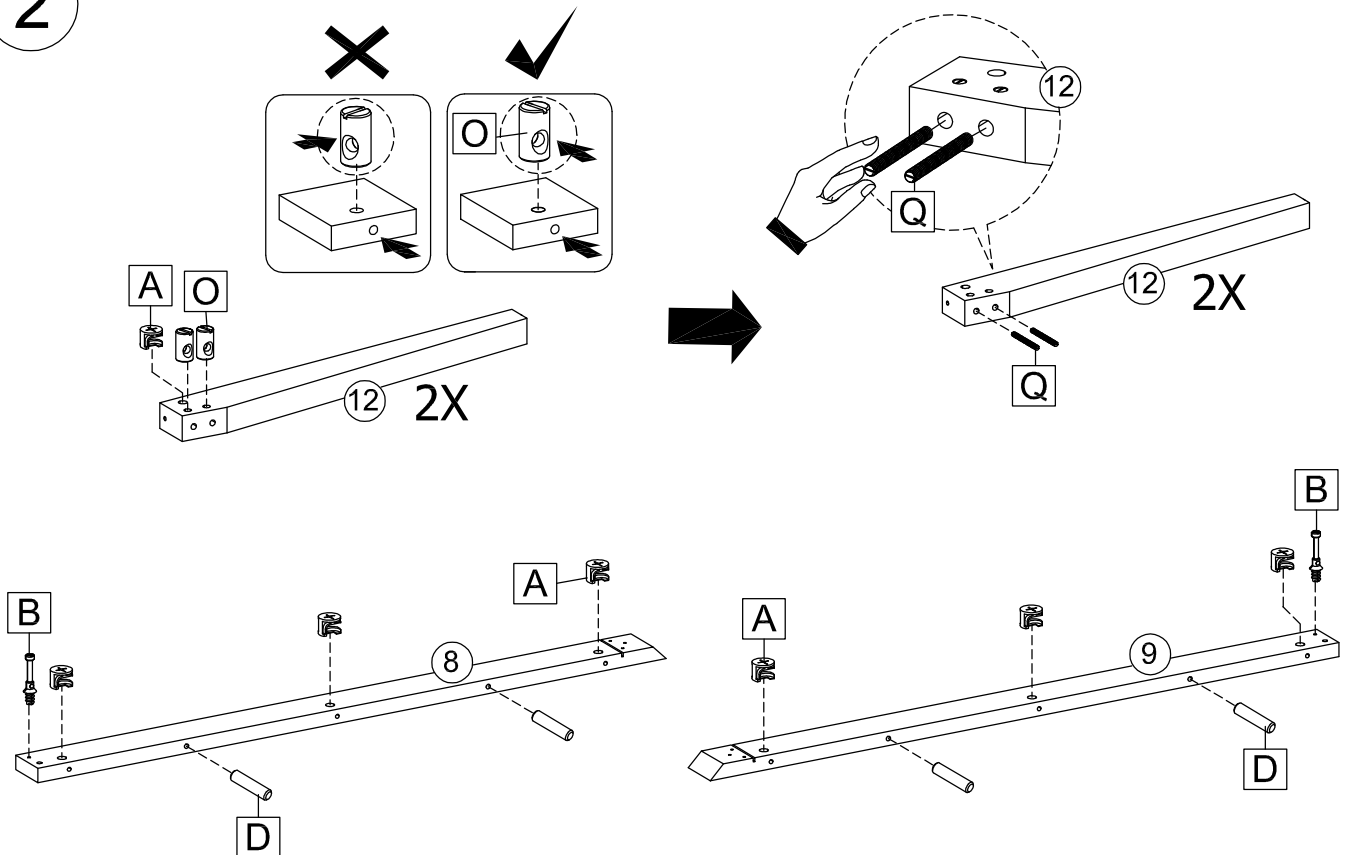
SPARE PART

A  34X	B  32X	C  38X	D  62X	E  20X	F  12X	G  12X	H  14X	I  14X	J  6X
K  3Set	L  1X	M  4X	N  8X	O  4X	P  2X	Q  4X	R  4X	S  4X	T  4X
U  3X	V  2X	W  12X	X  1X	Y  2X	Z  2X				

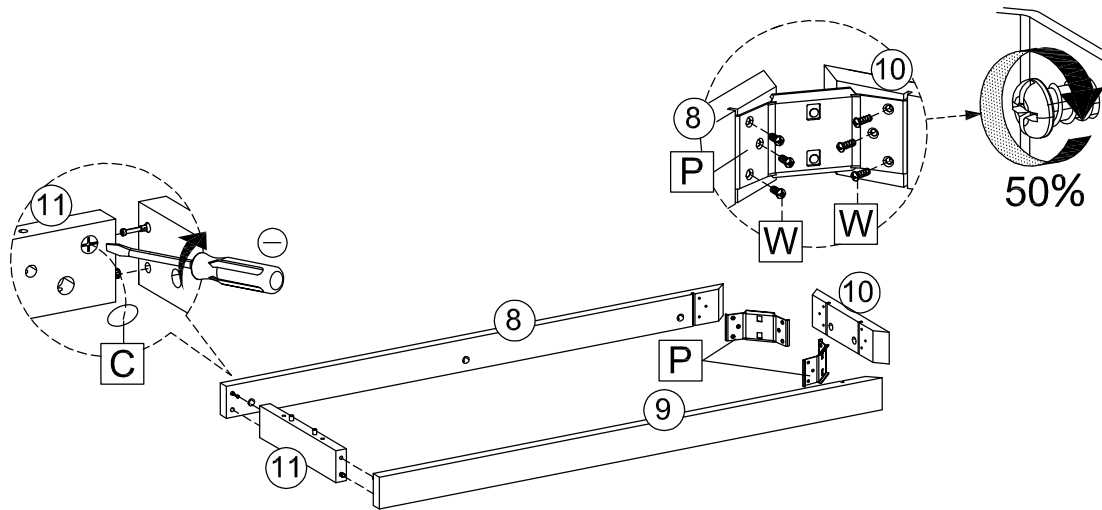
1



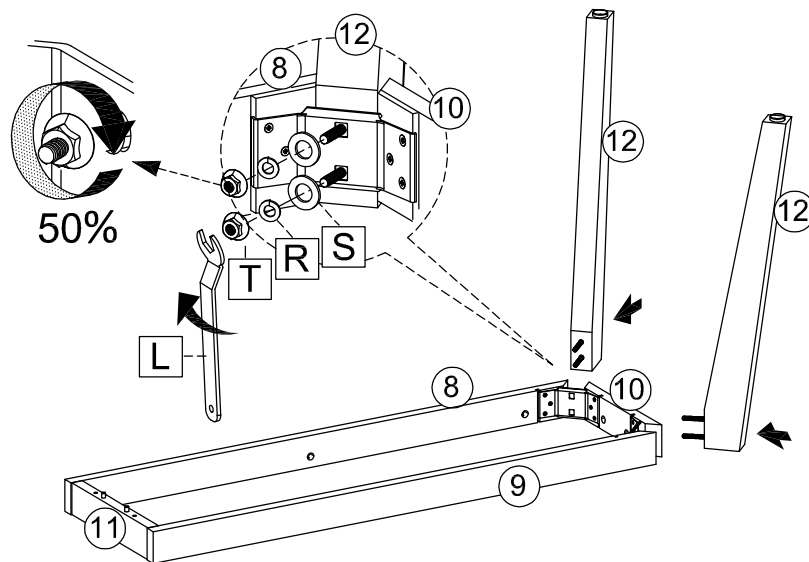
2



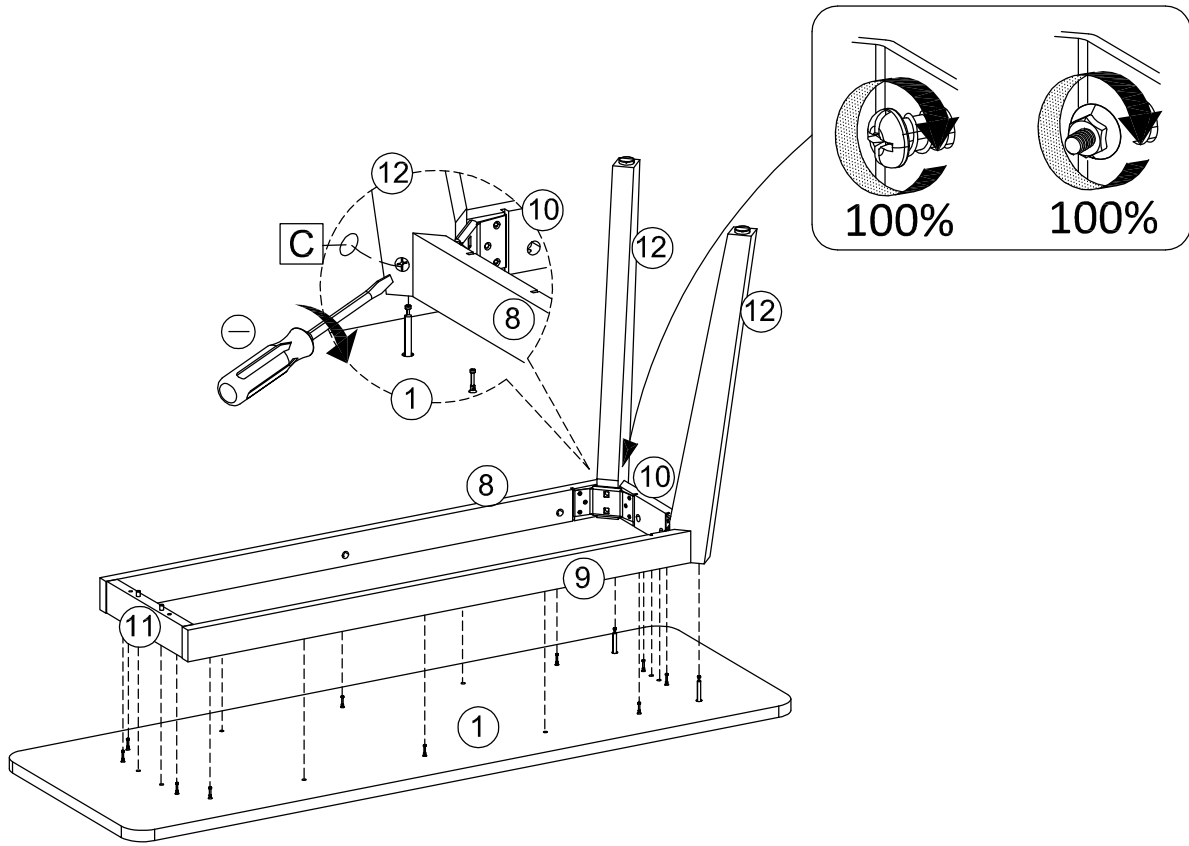
3



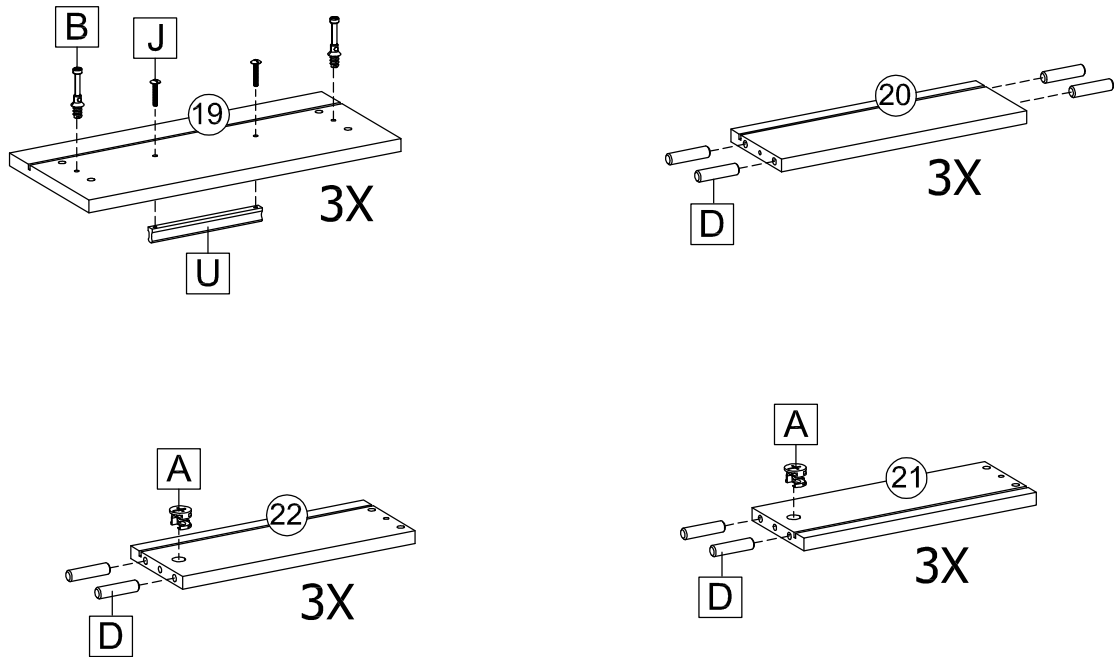
4



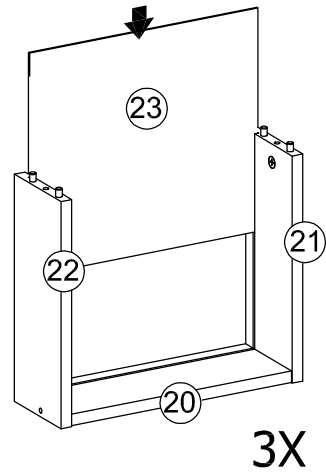
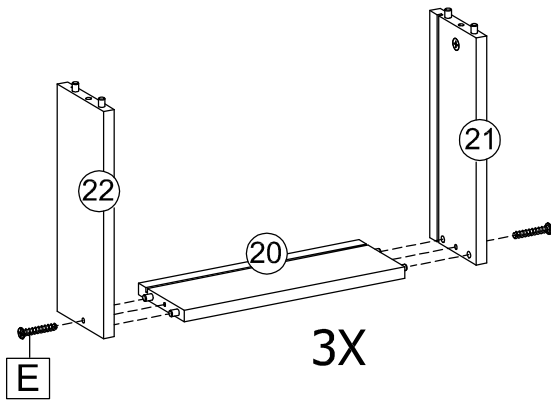
5



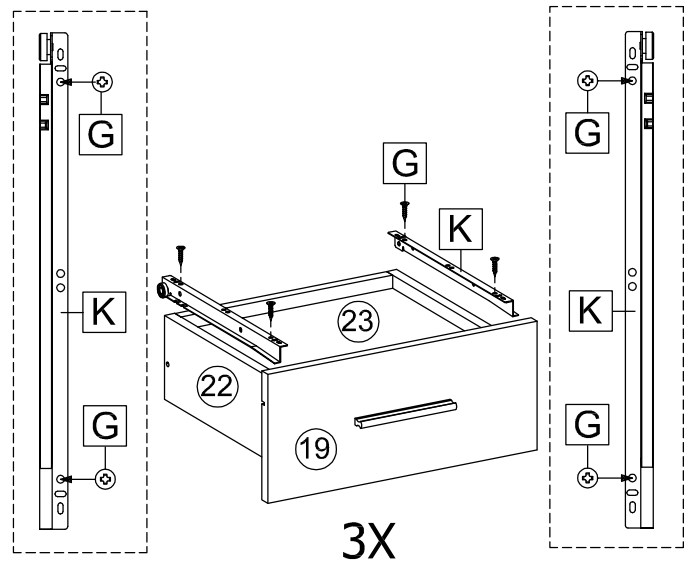
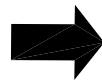
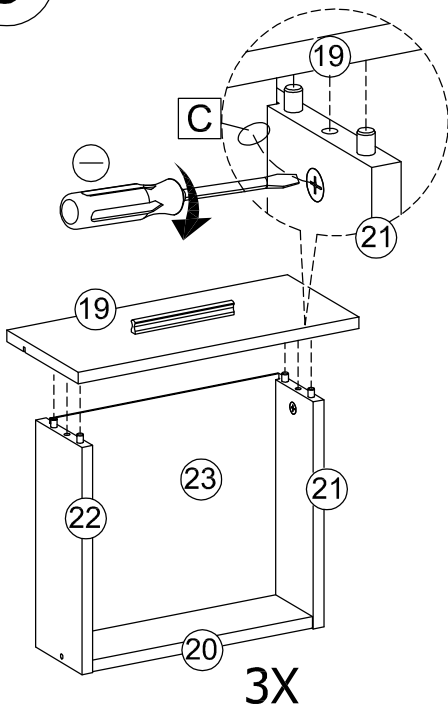
6



7



8

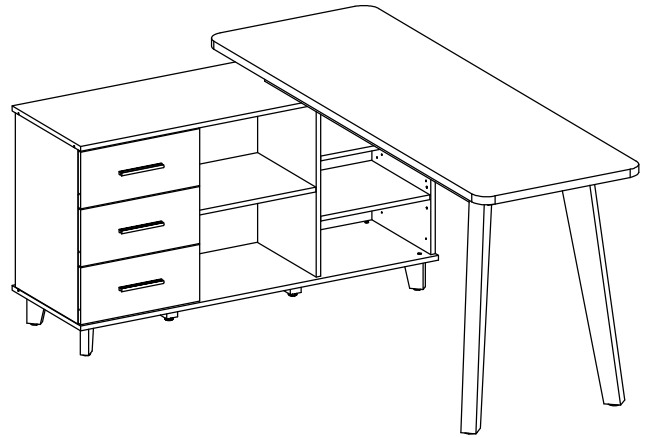


NB: DECIDE WHICH WAY YOU WOULD LIKE THE DESK AND FOLLOW THE APPROPRIATE COLUMNS BELOW

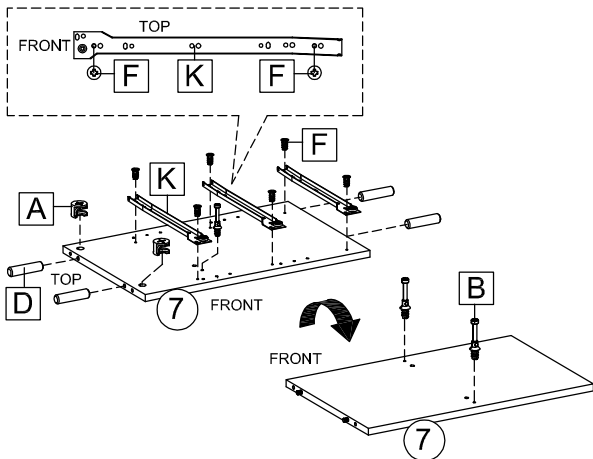
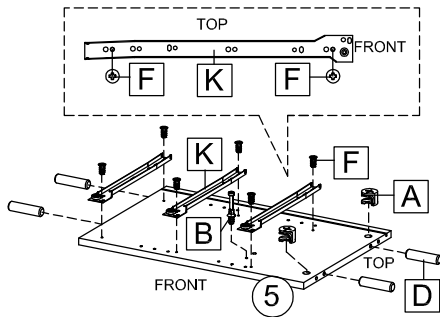
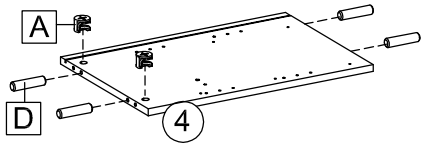
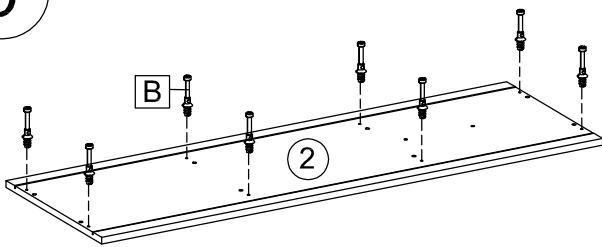
DESK ASSEMBLED WITH WORKTOP ON LEFT



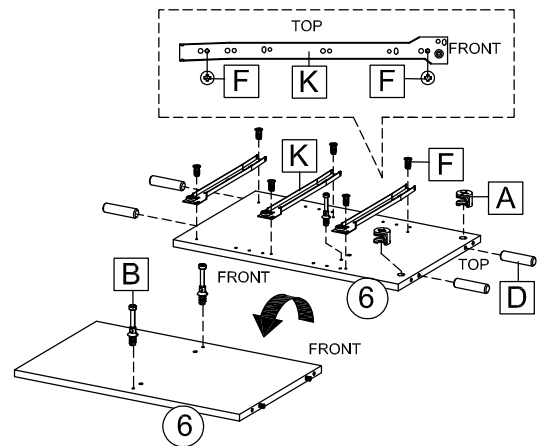
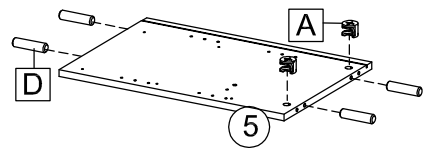
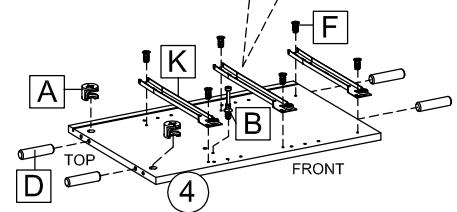
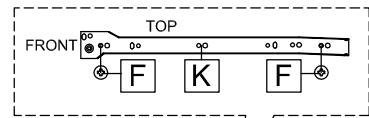
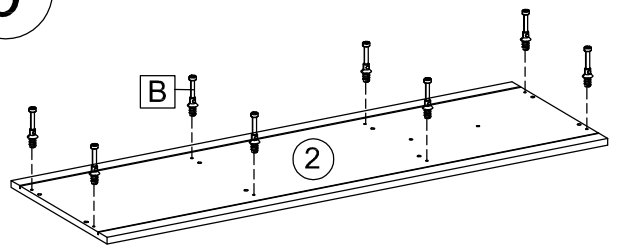
DESK ASSEMBLED WITH WORKTOP ON RIGHT



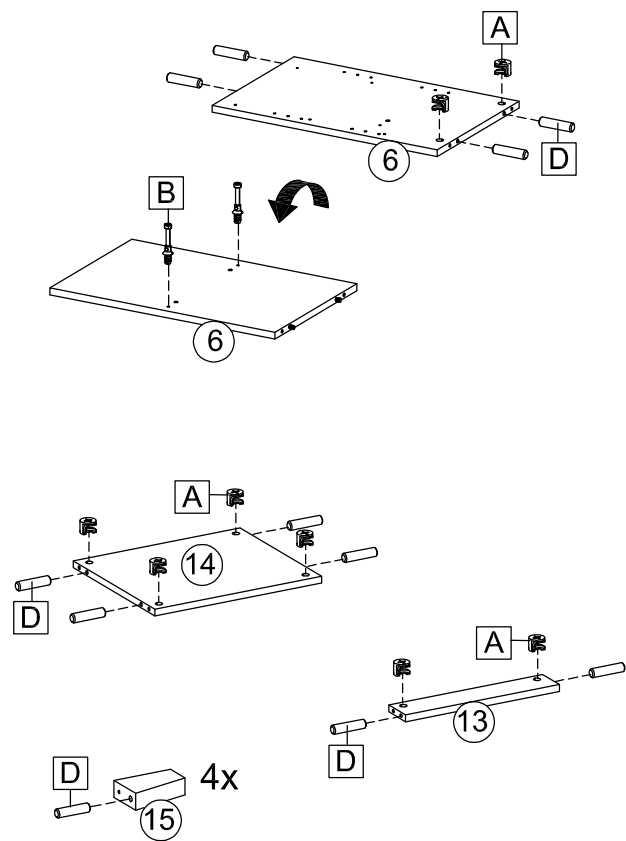
9



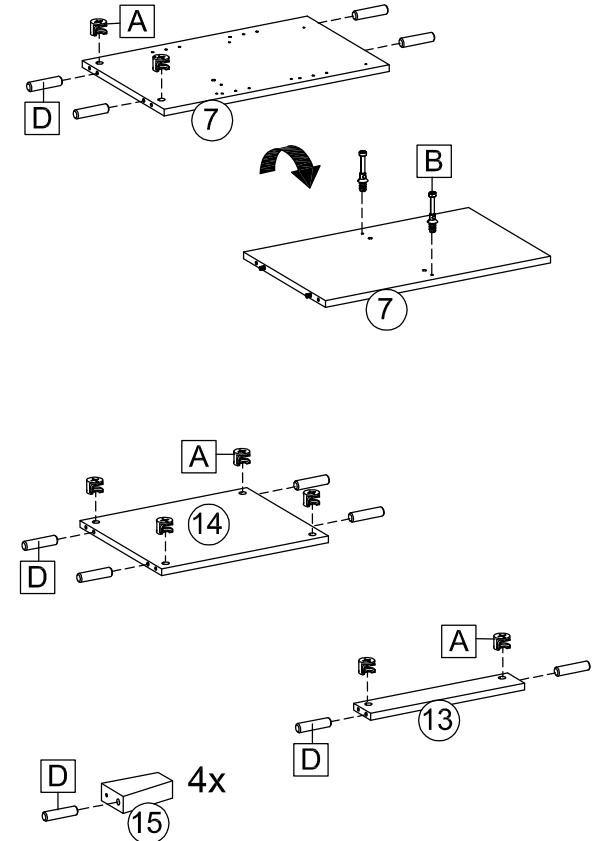
9



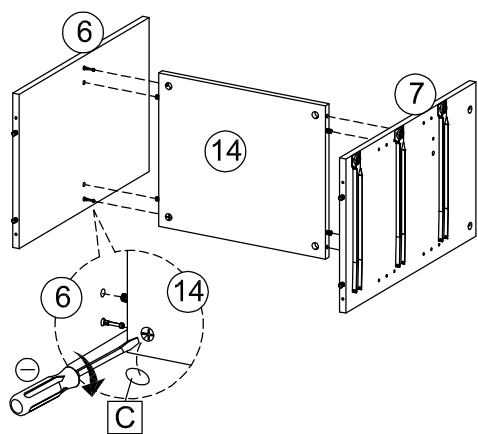
10



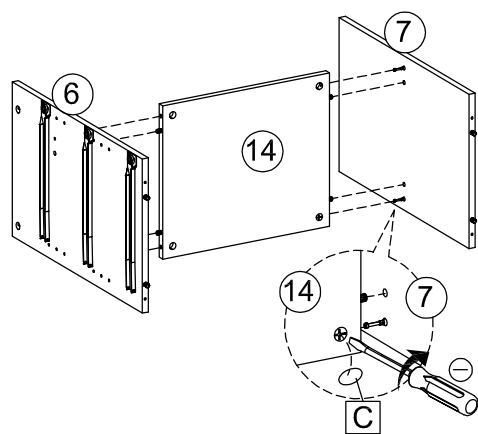
10



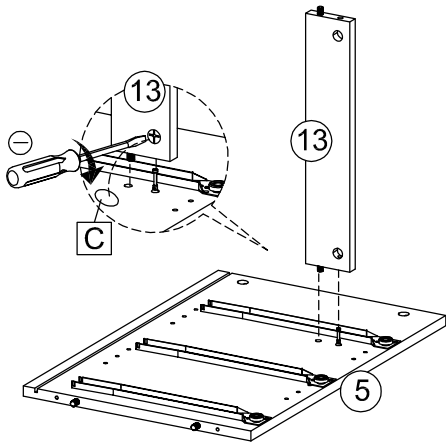
11



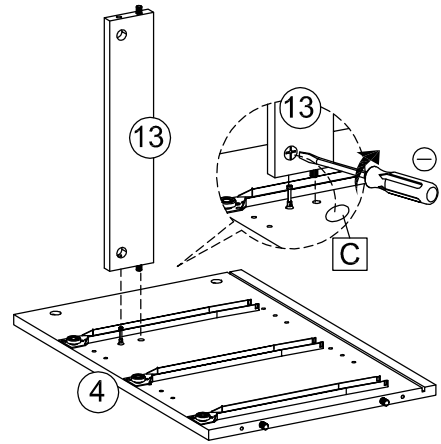
11



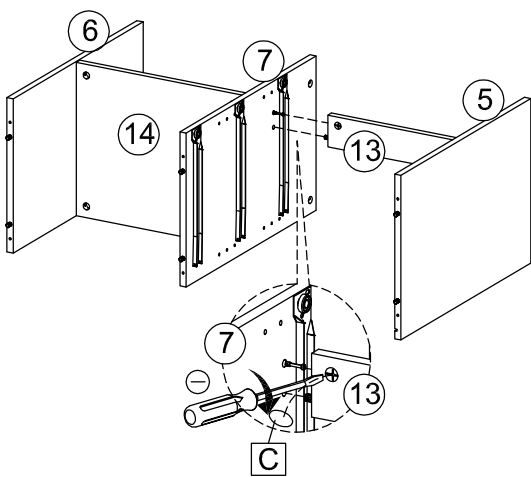
12



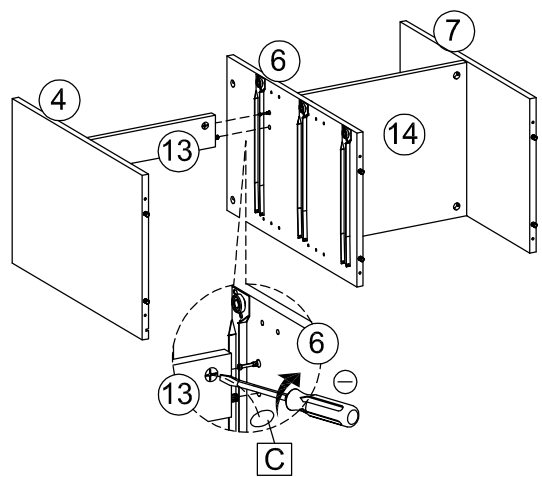
12



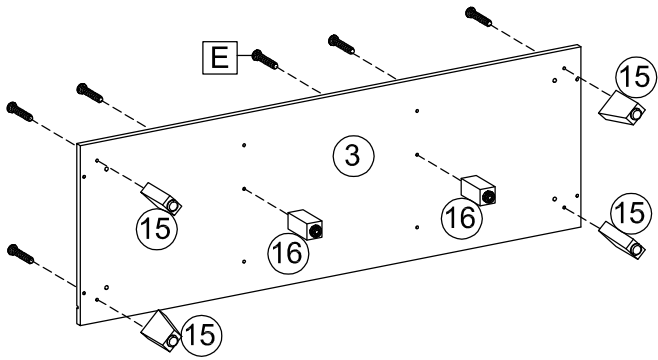
13



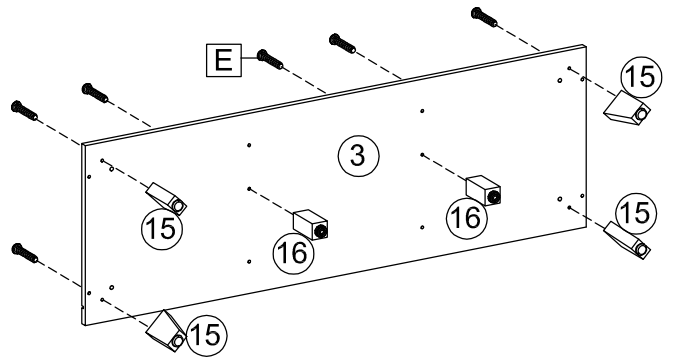
13



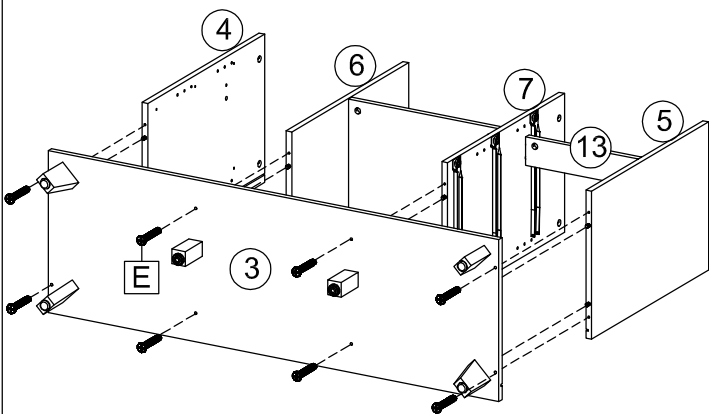
14



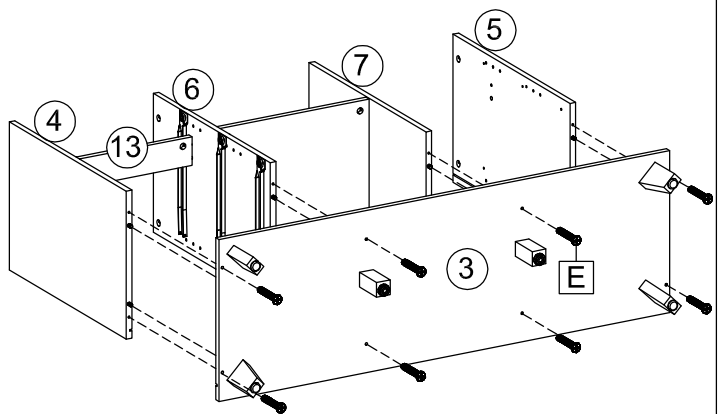
14



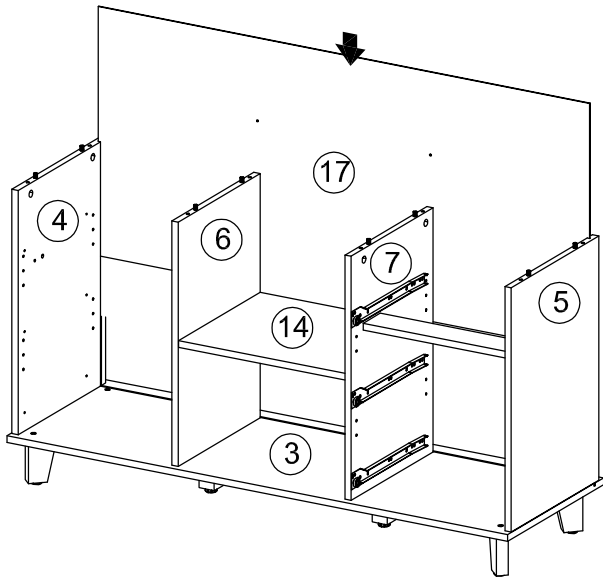
15



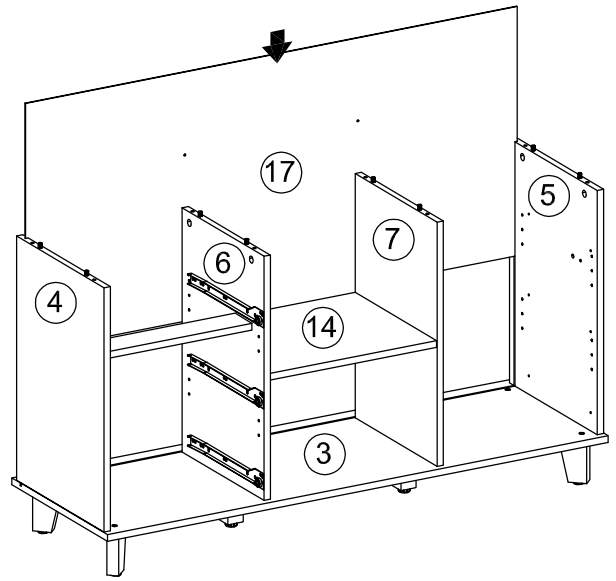
15



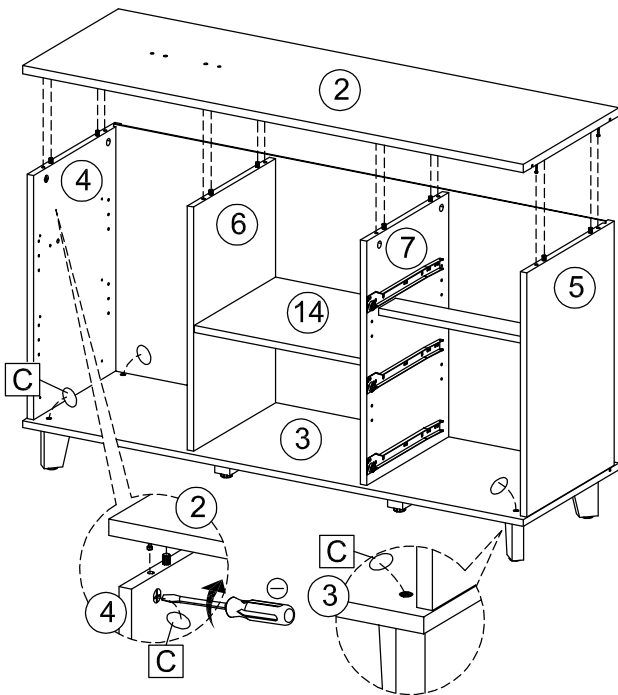
16



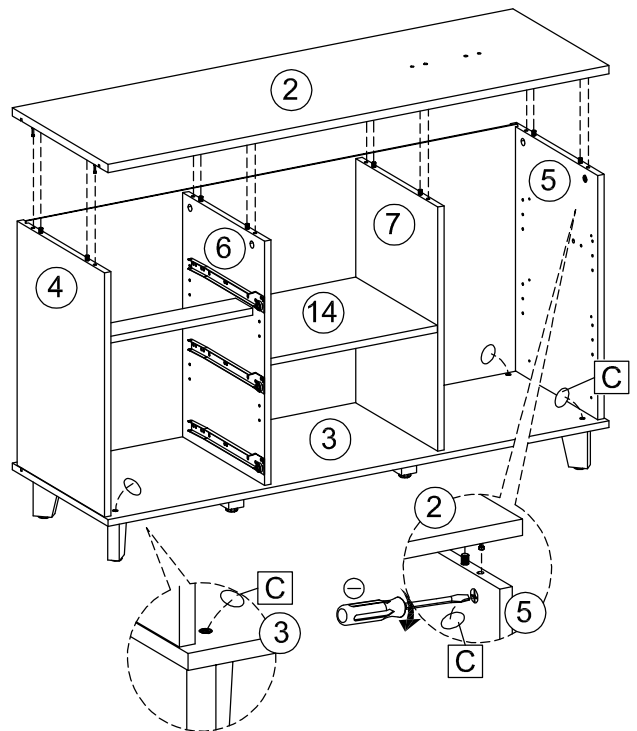
16



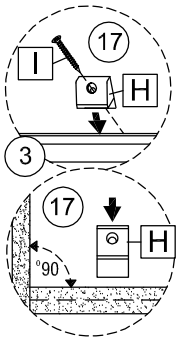
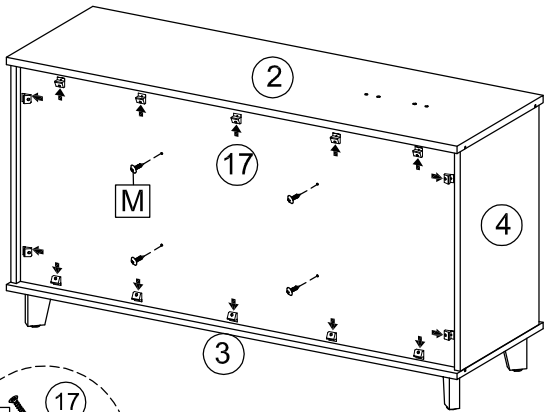
17



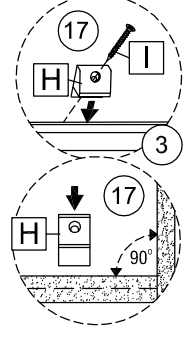
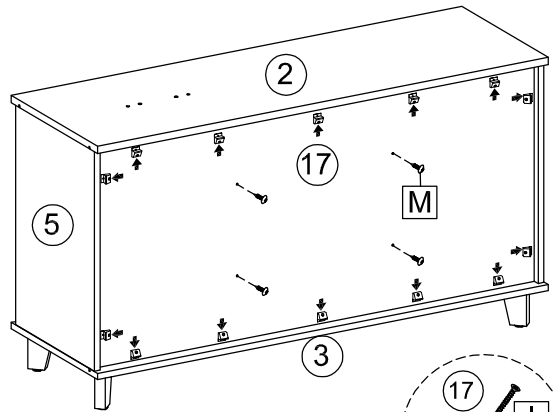
17



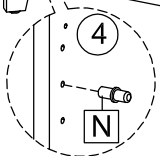
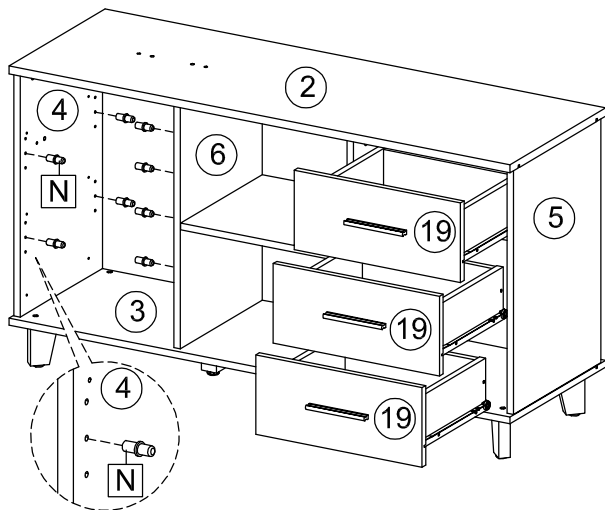
18



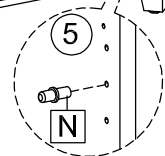
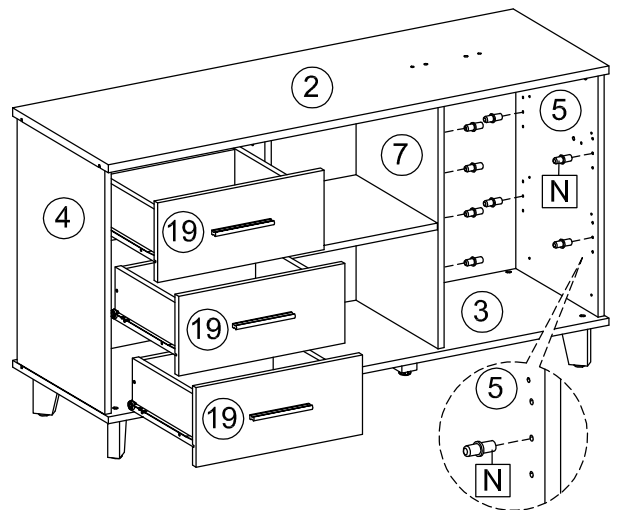
18



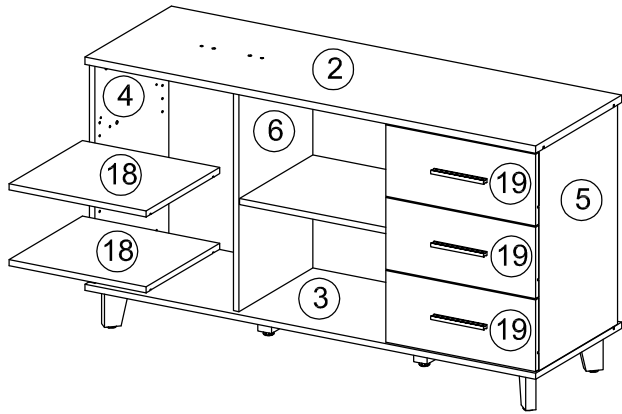
19



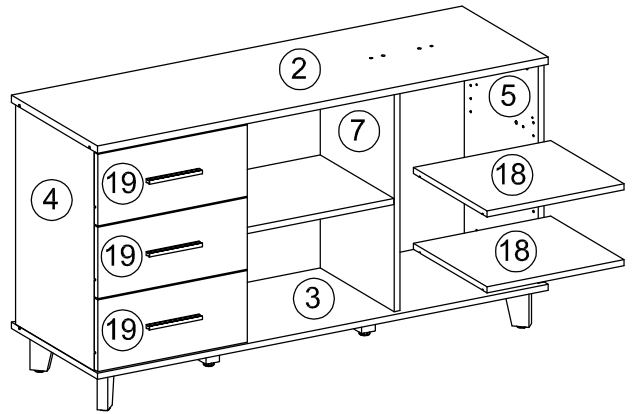
19



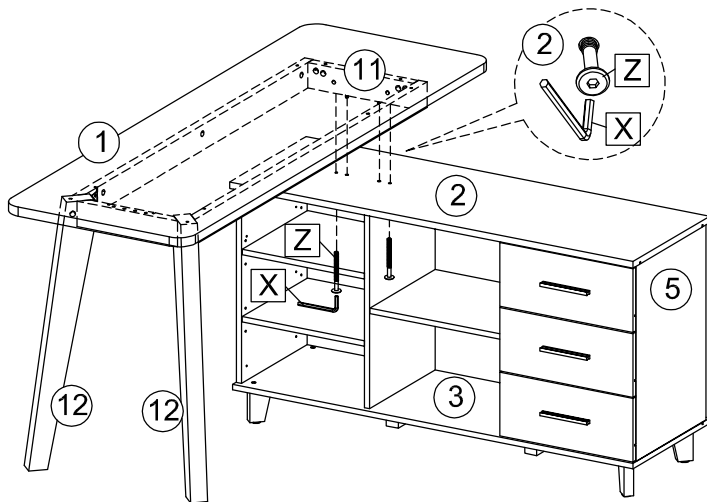
20



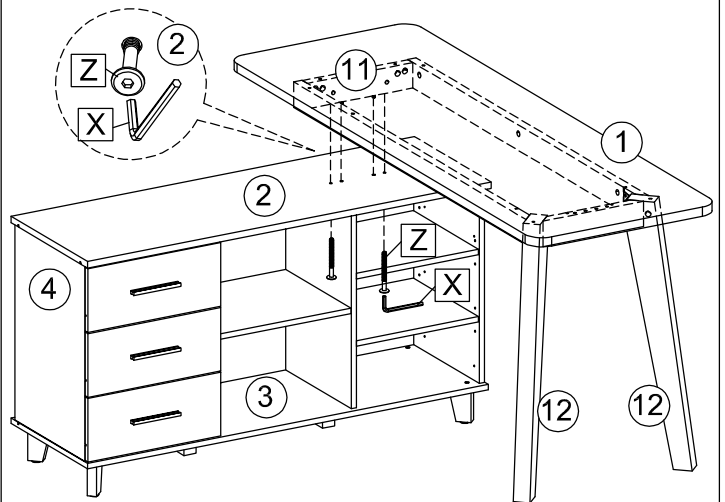
20



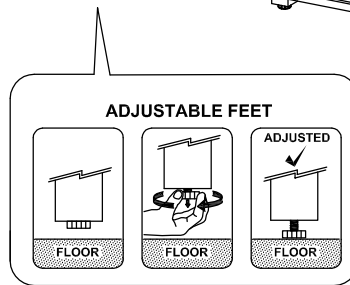
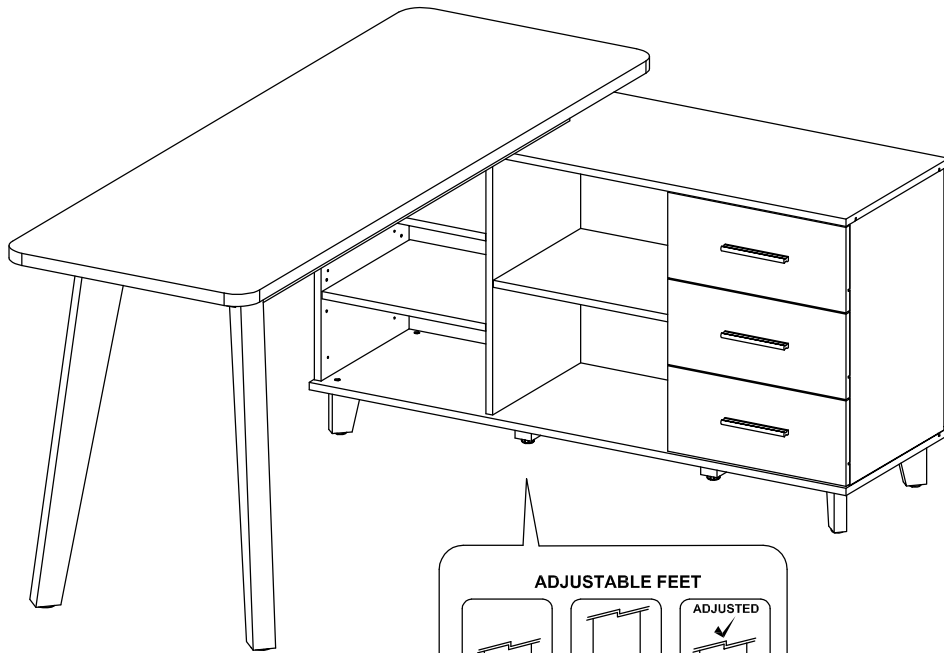
21



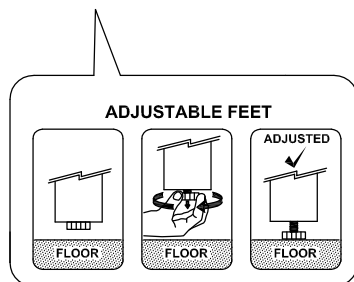
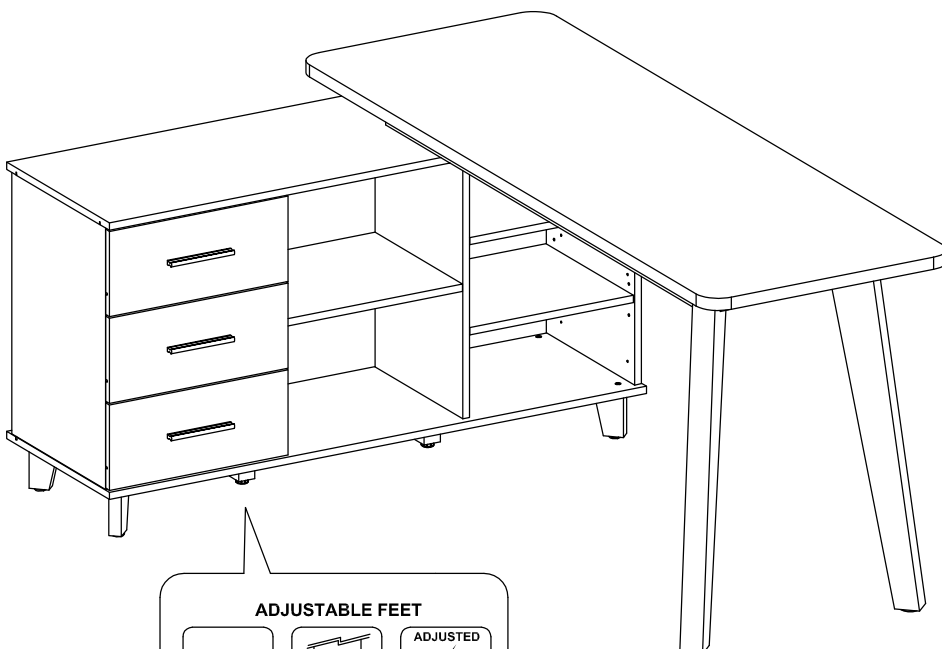
21



22



22



Teknik