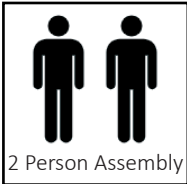


# CHATBOX Quattro Assembly Manual

## Important safety information



Take photographs before and after opening the cardboard packages to document any damage caused during delivery.



2 Person Assembly

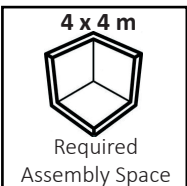
Minimum two persons required for the product assembly.



Approx. Assembly Time

Approximate assembly time is 1 h.

*Note! Assembly may take longer.*



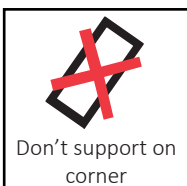
Required Assembly Space

Assembly requires approximate 4x4m open floor space for safety.



Tip-Over Hazard!

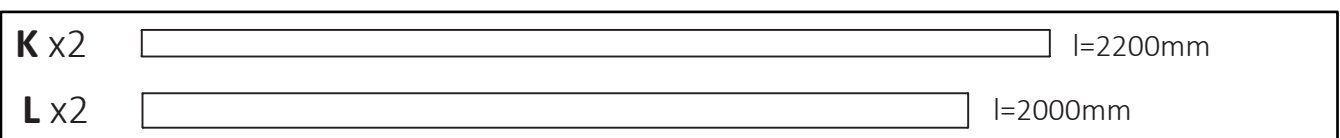
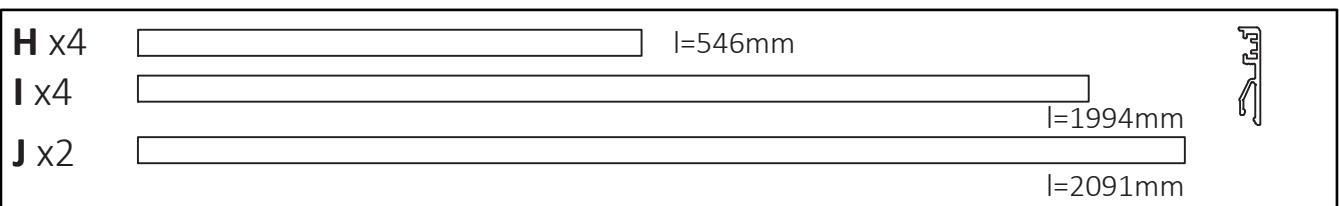
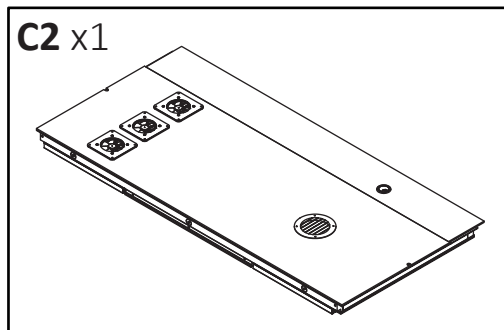
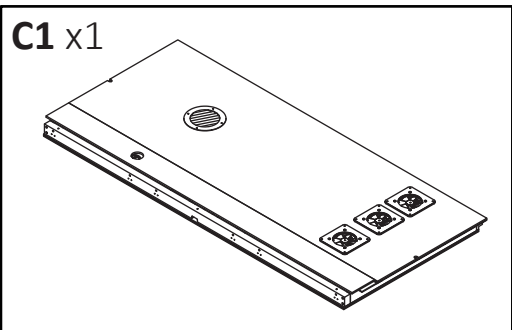
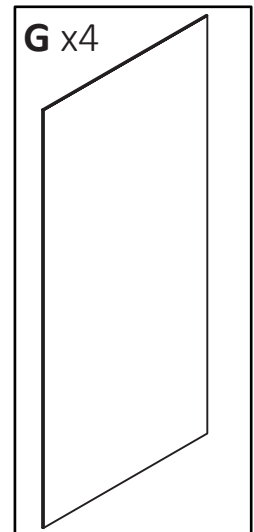
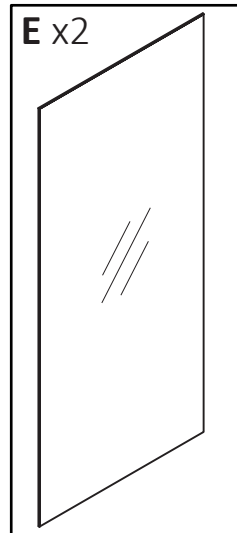
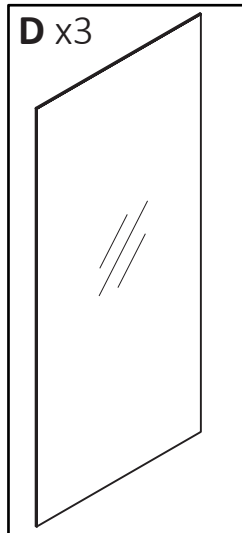
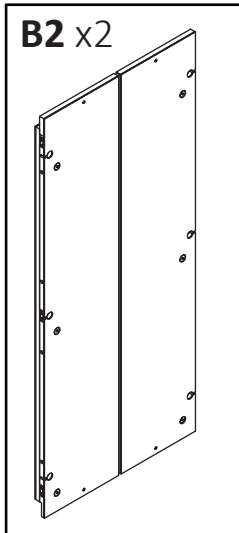
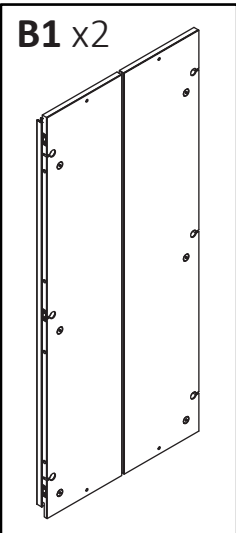
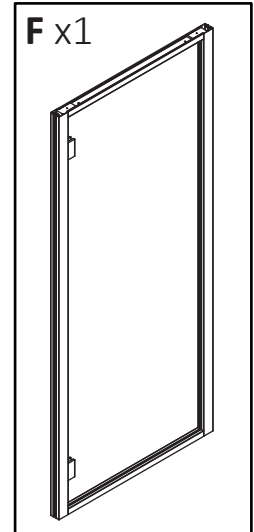
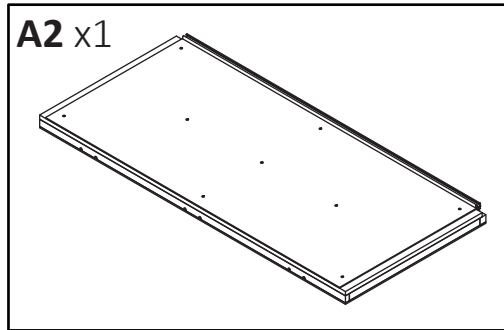
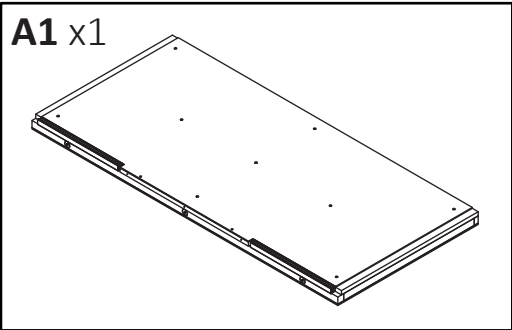
Risk of tip-over during product assembly, additional support required for safety.

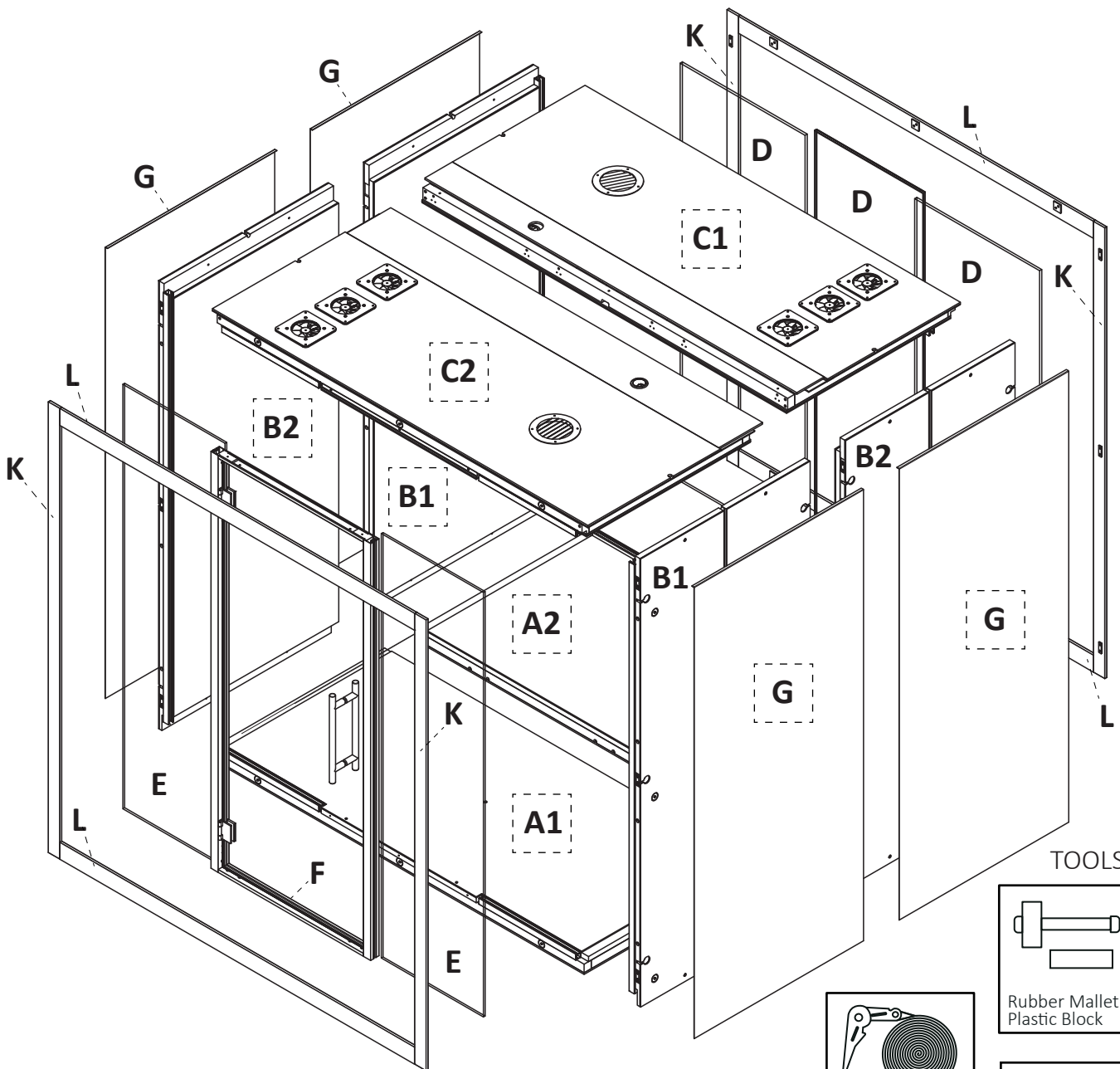


Don't support on corner

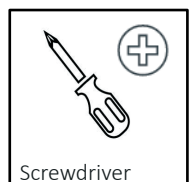
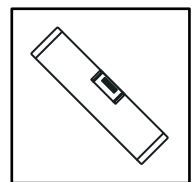
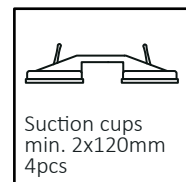
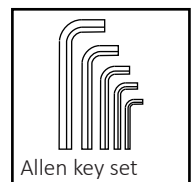
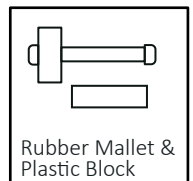
Risk of damaging the glass panels or other product parts if supported on corners for assembly and transportation.

# Product components

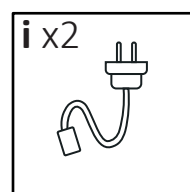
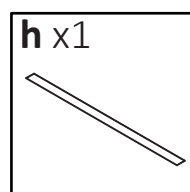
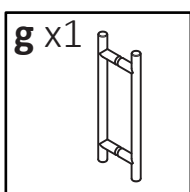
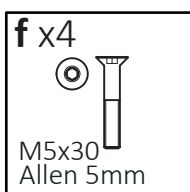
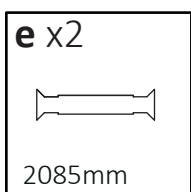
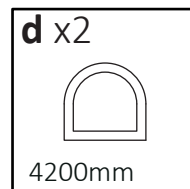
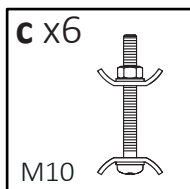
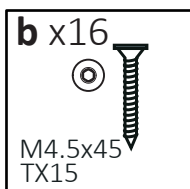
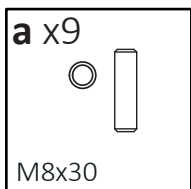




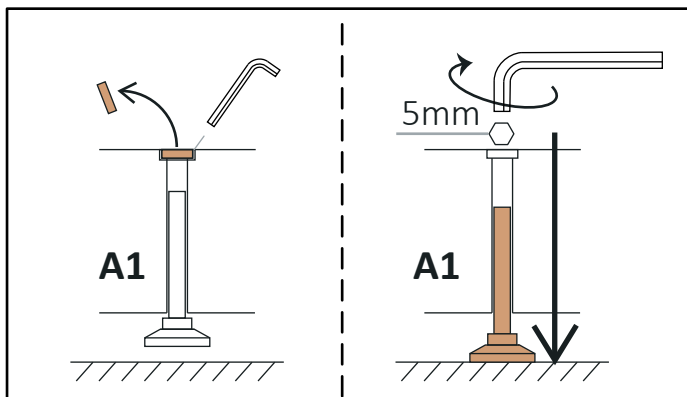
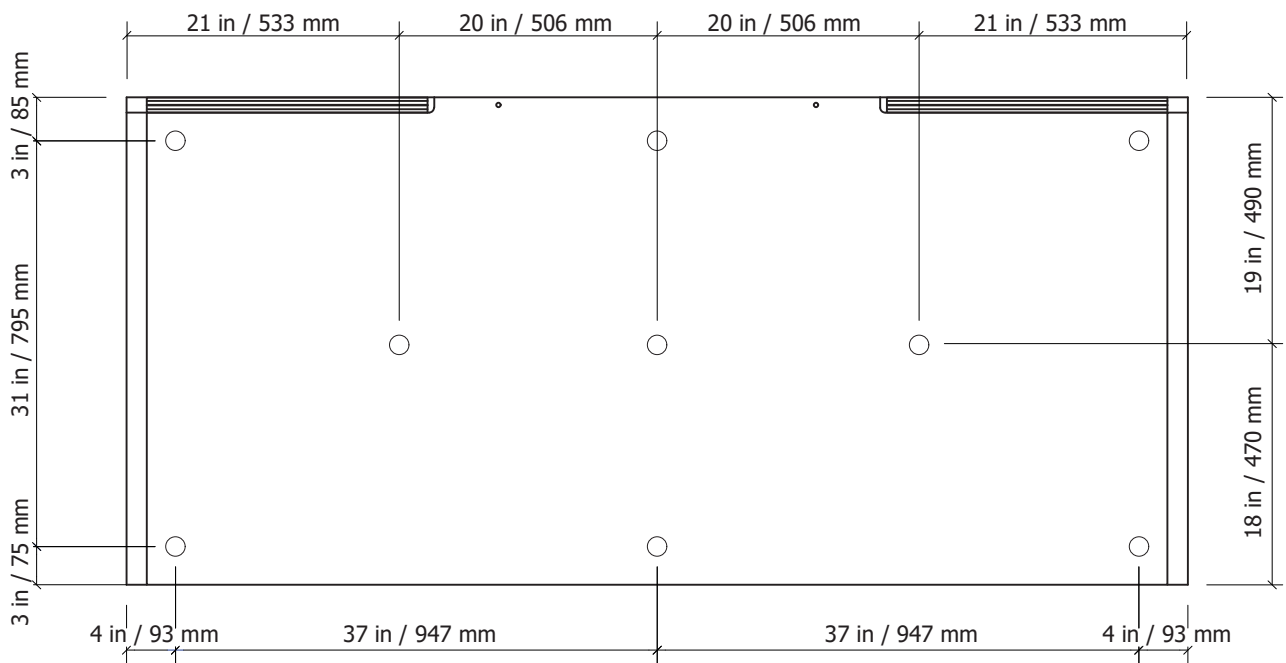
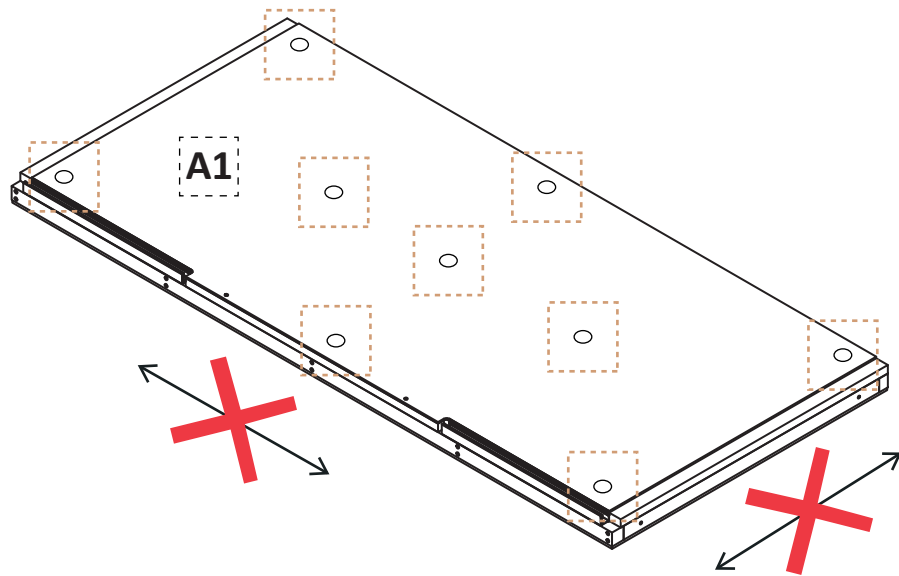
TOOLS:



ATTACHMENTS:



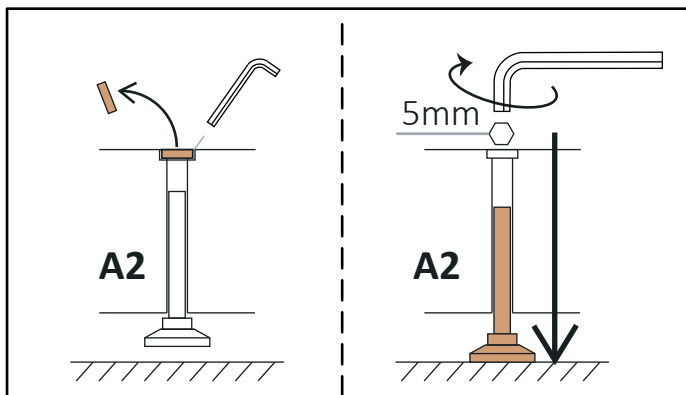
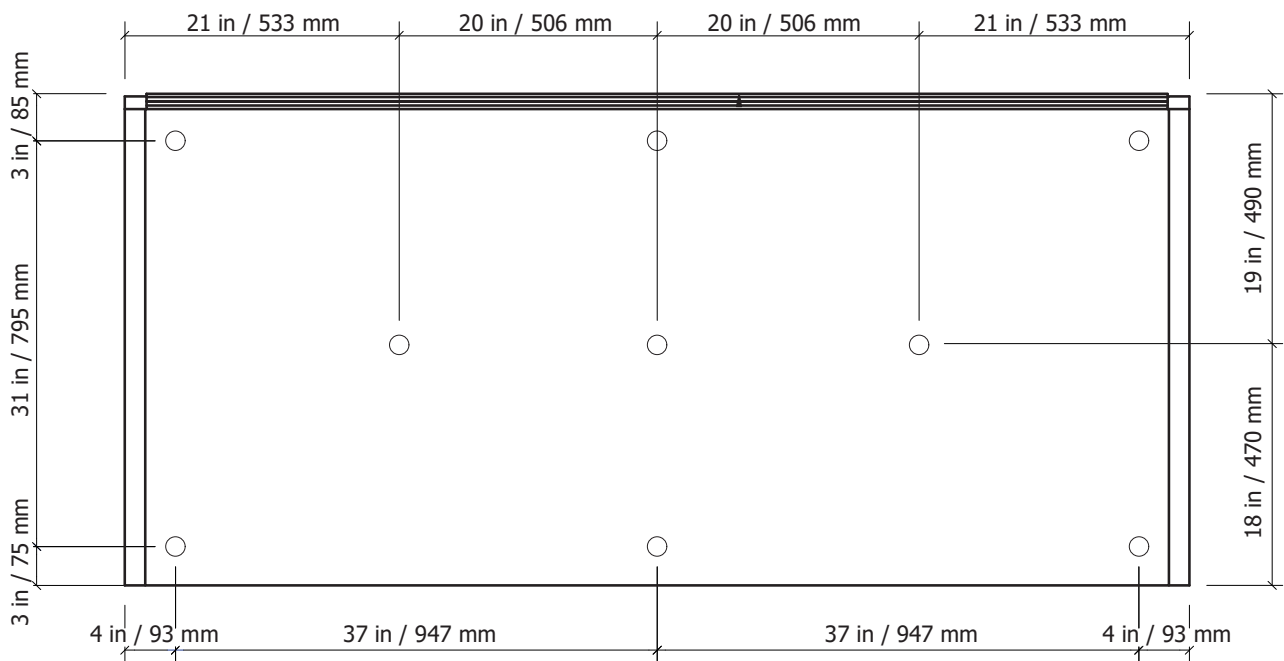
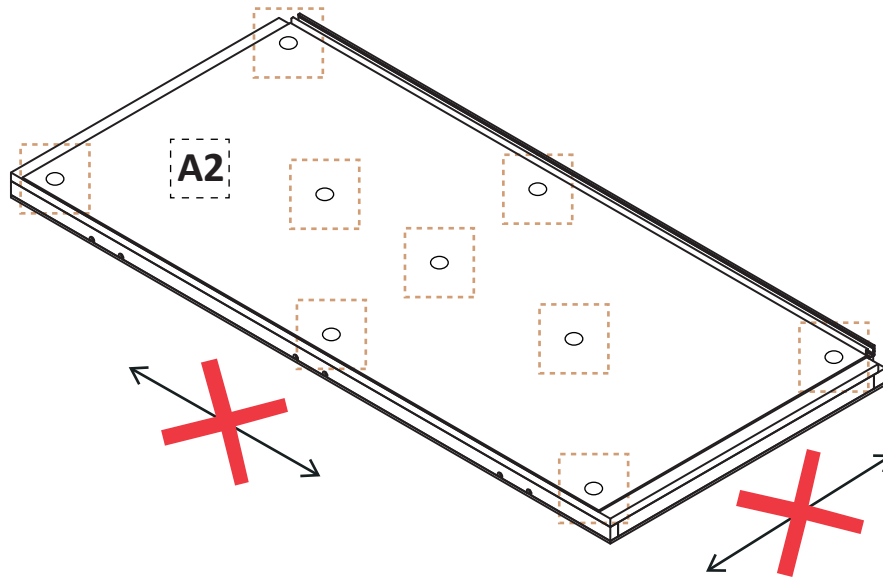
# 1. Floor Module Leveling



Place the Floor module (A1) to desired location of the Chatbox. Remove carpet plugs on marked positions and use a 5mm allen key and a level to adjust all 9 levelling glides.

*Note! Glides must be lowered minimally.*

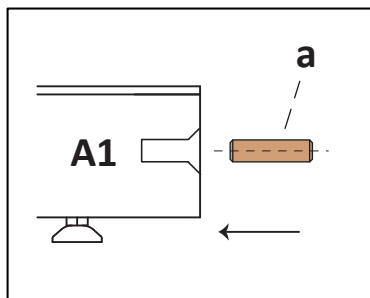
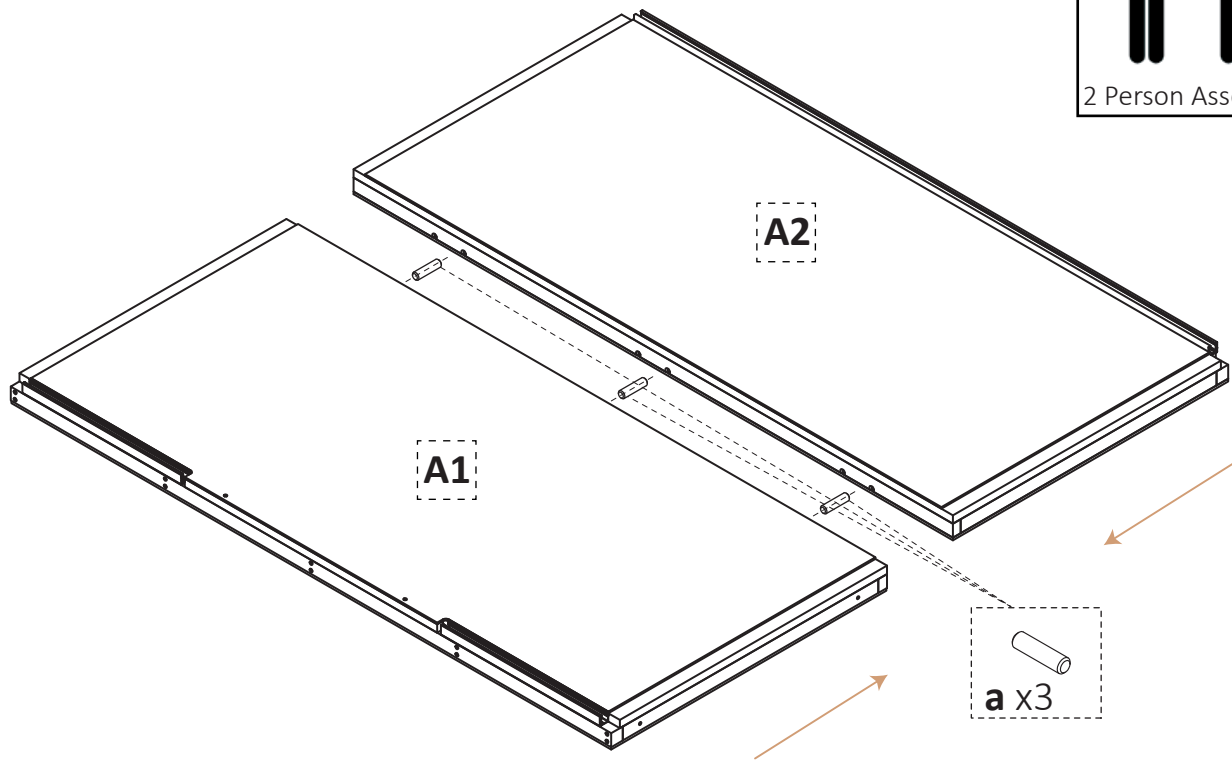
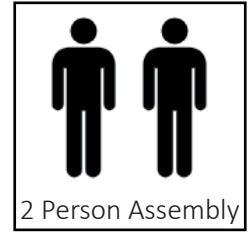
## 2. Floor Module Leveling



Place the Floor module (A2) to desired location of the Chatbox. Remove carpet plugs on marked positions and use a 5mm allen key and a level to adjust all 9 levelling glides.

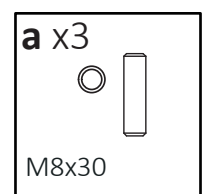
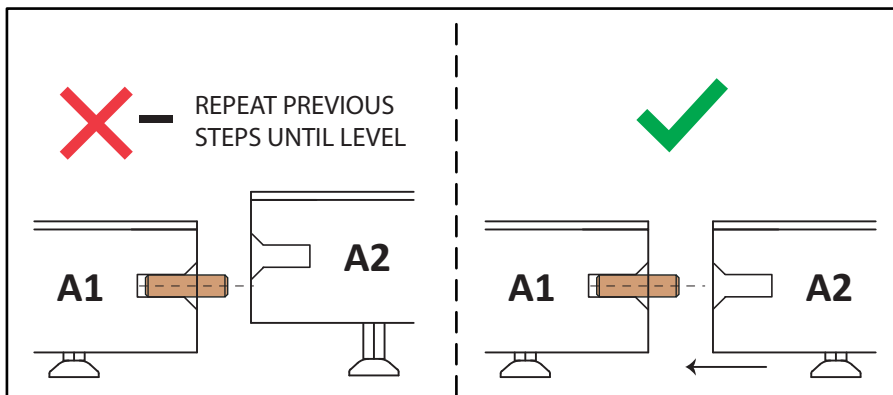
*Note! Glides must be lowered minimally.*

### 3. Floor module Assembly

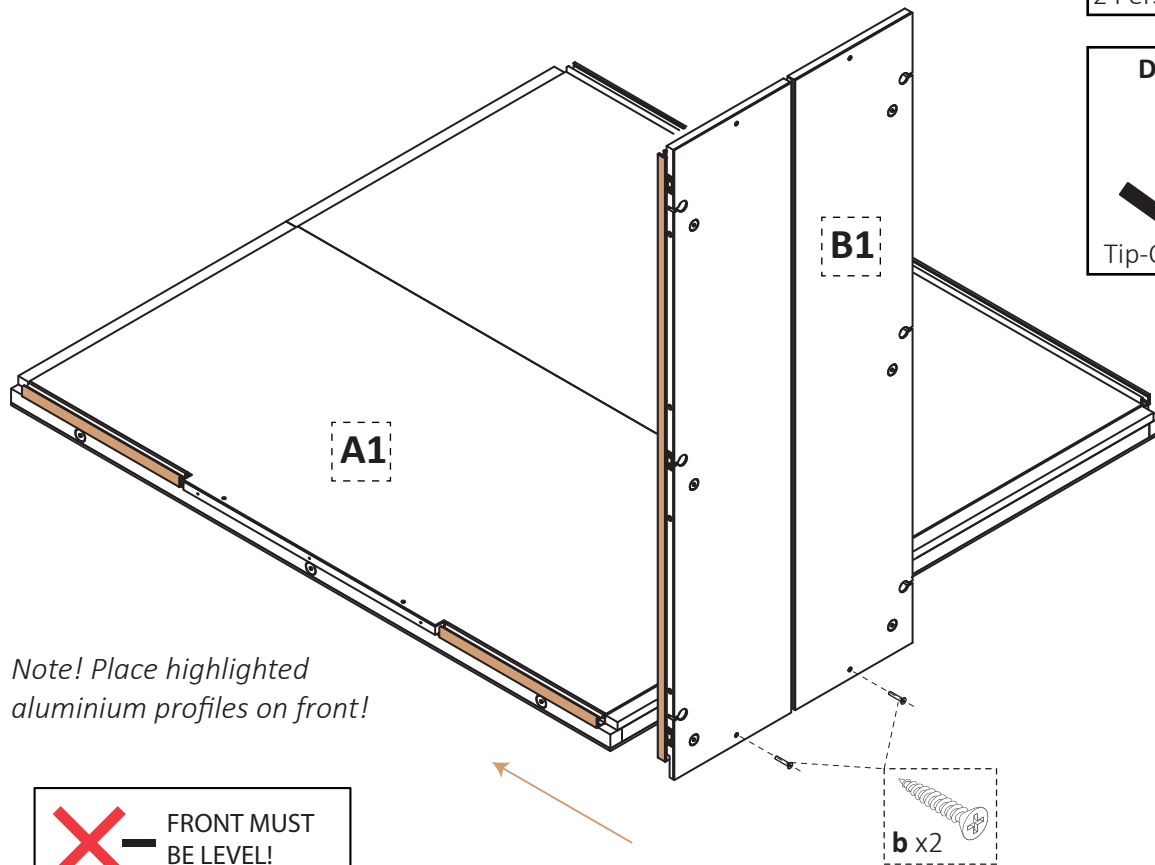
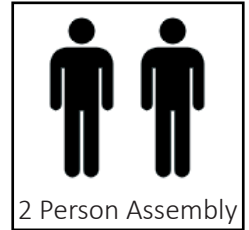


Place pins "a" in the back side of the floormodule (A1) and push both modules (A1 & A2) together.

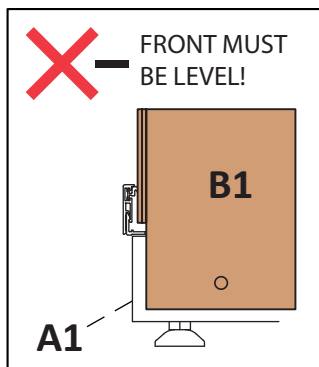
*Note! Make sure both modules are leveled to the same height, if not repeat instructions from page 4 & 5 and readjust the modules*



## 4. Side Module Assembly

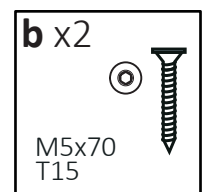
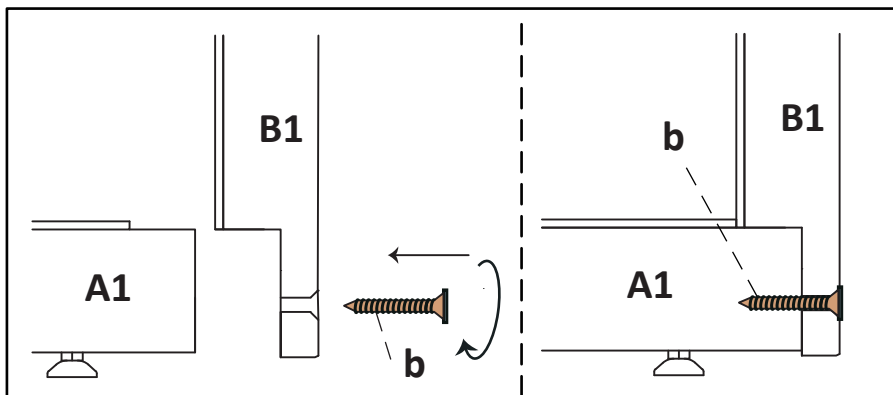


*Note! Place highlighted aluminium profiles on front!*



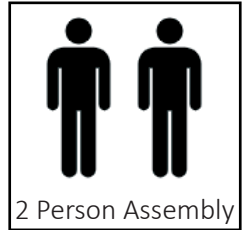
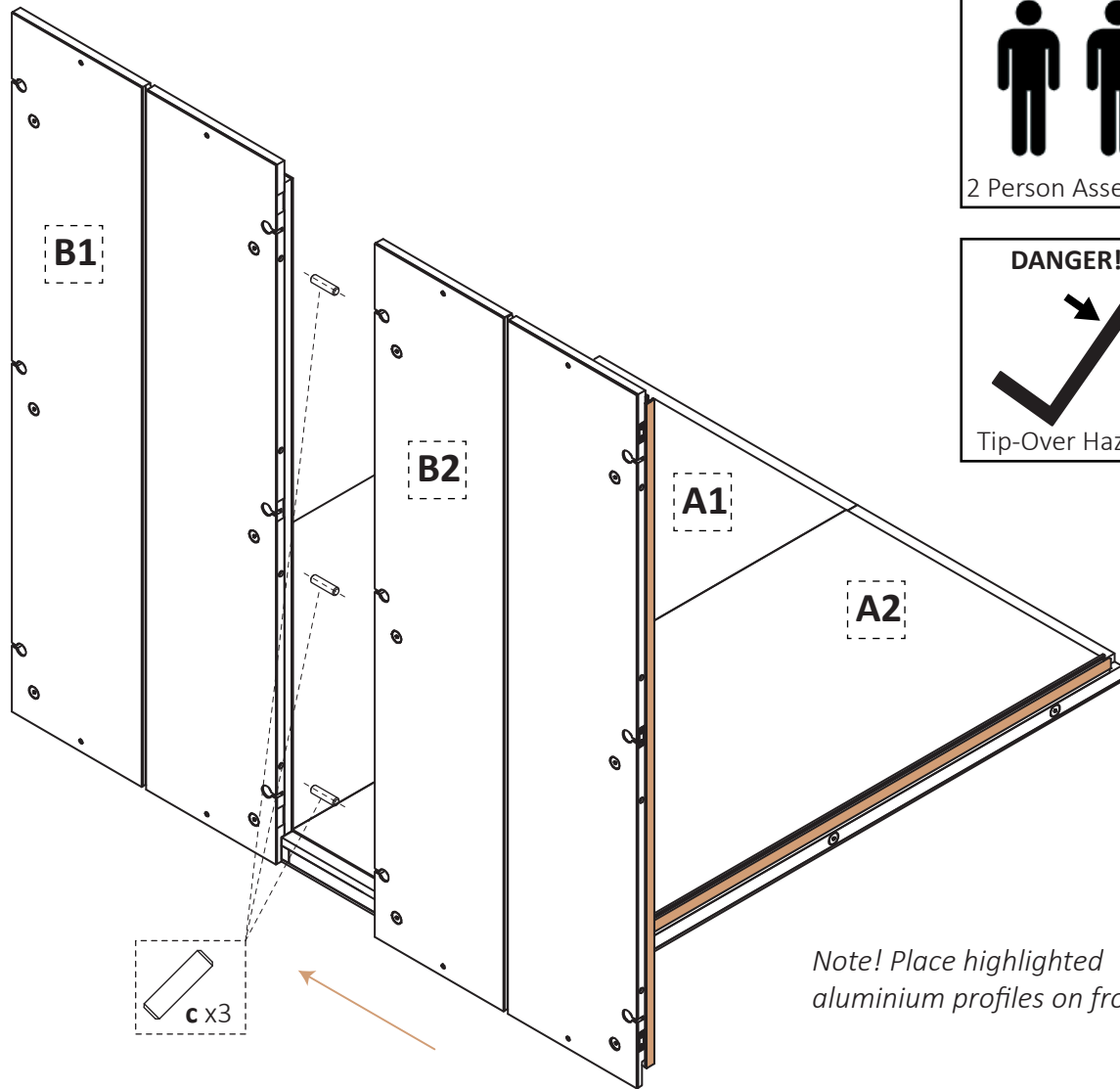
Lift the Side module (B1) on top of the Floor module (A1) and make sure the aluminium profiles highlighted on the scheme above are level with each other. Then drive in screws "b" to secure the Side module.

*Note! Assembly must be supported from the side to avoid tipping over until all side modules are attached.*





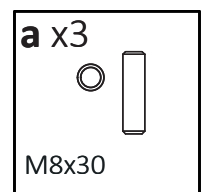
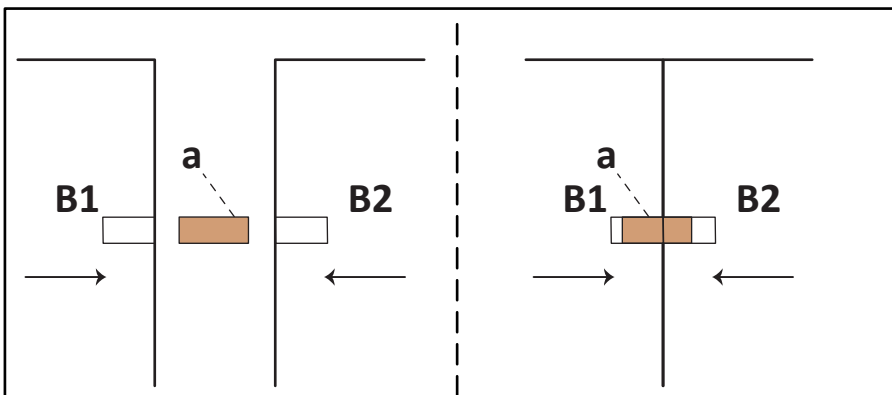
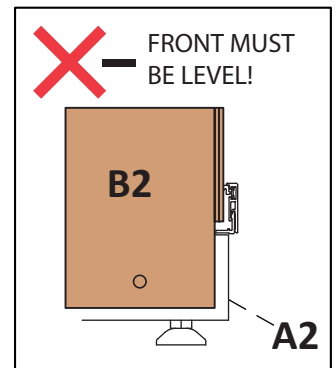
## 5. Side Module Assembly



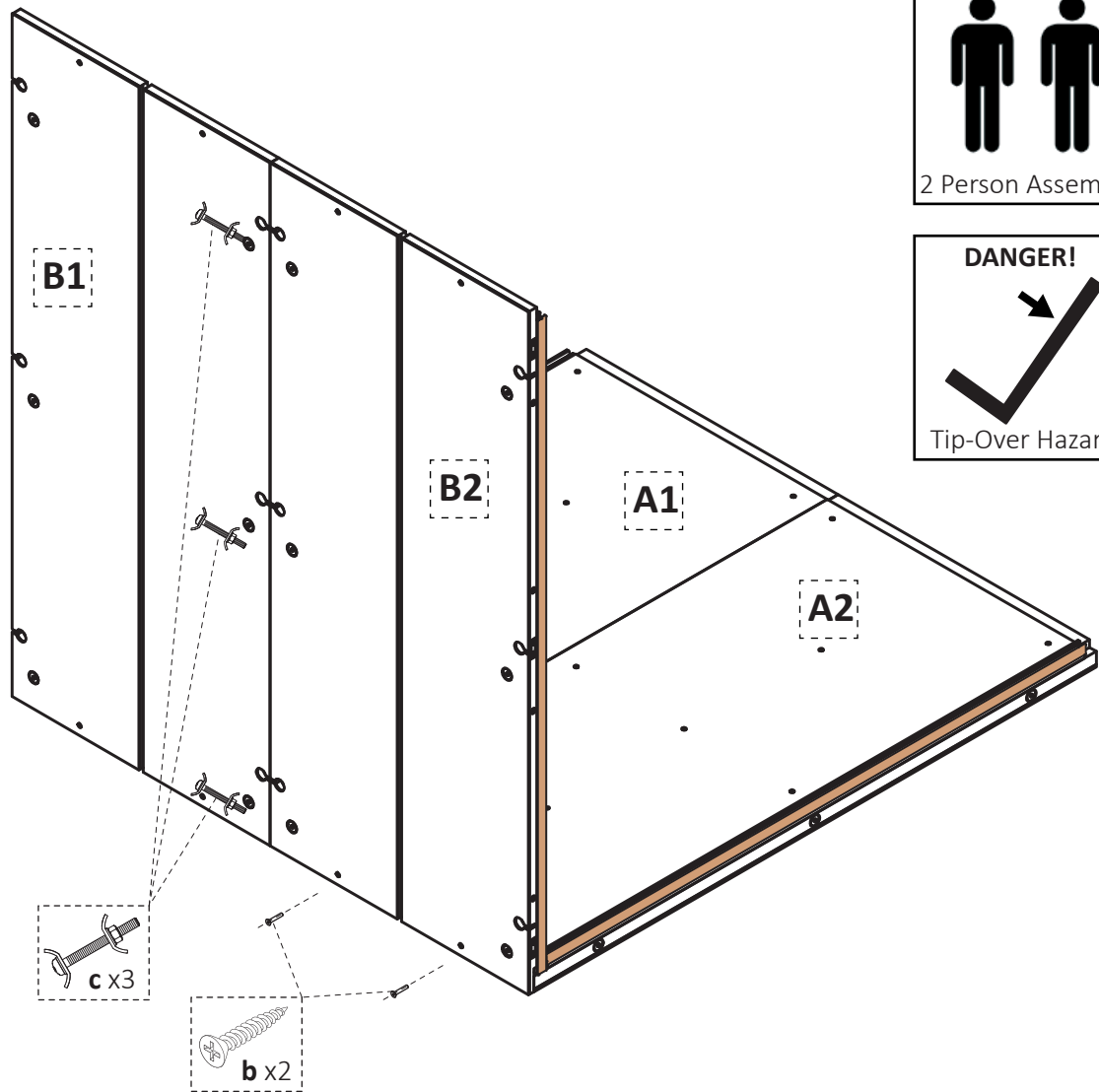
*Note! Place highlighted aluminium profiles on front!*

Attach the pins “a” to the side module (B) and lift the side module (B2) on top of the Floor module (A2). Then push the side modules (B1 & B2) together until the aluminium profiles highlighted on the scheme above are level with each other.

*Note! Assembly must be supported from the side to avoid tipping over until all side modules are attached.*

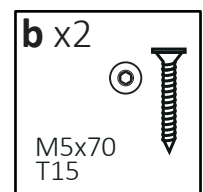
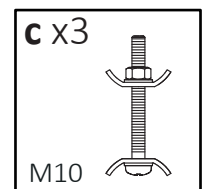
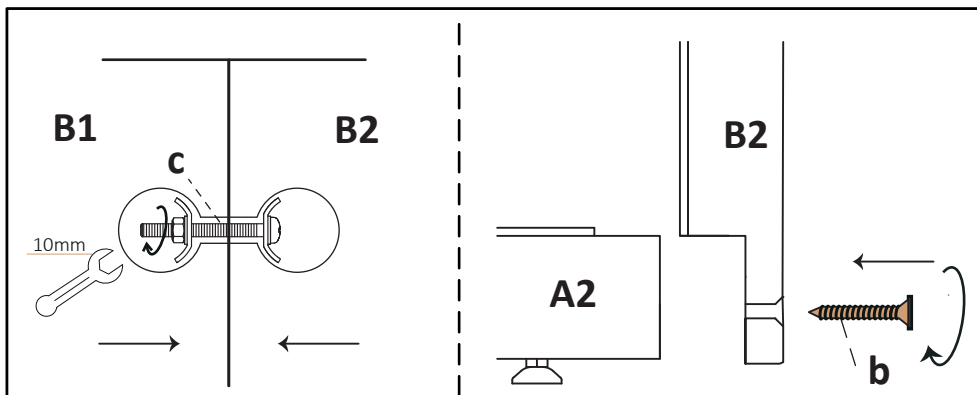


## 6. Side Module Assembly

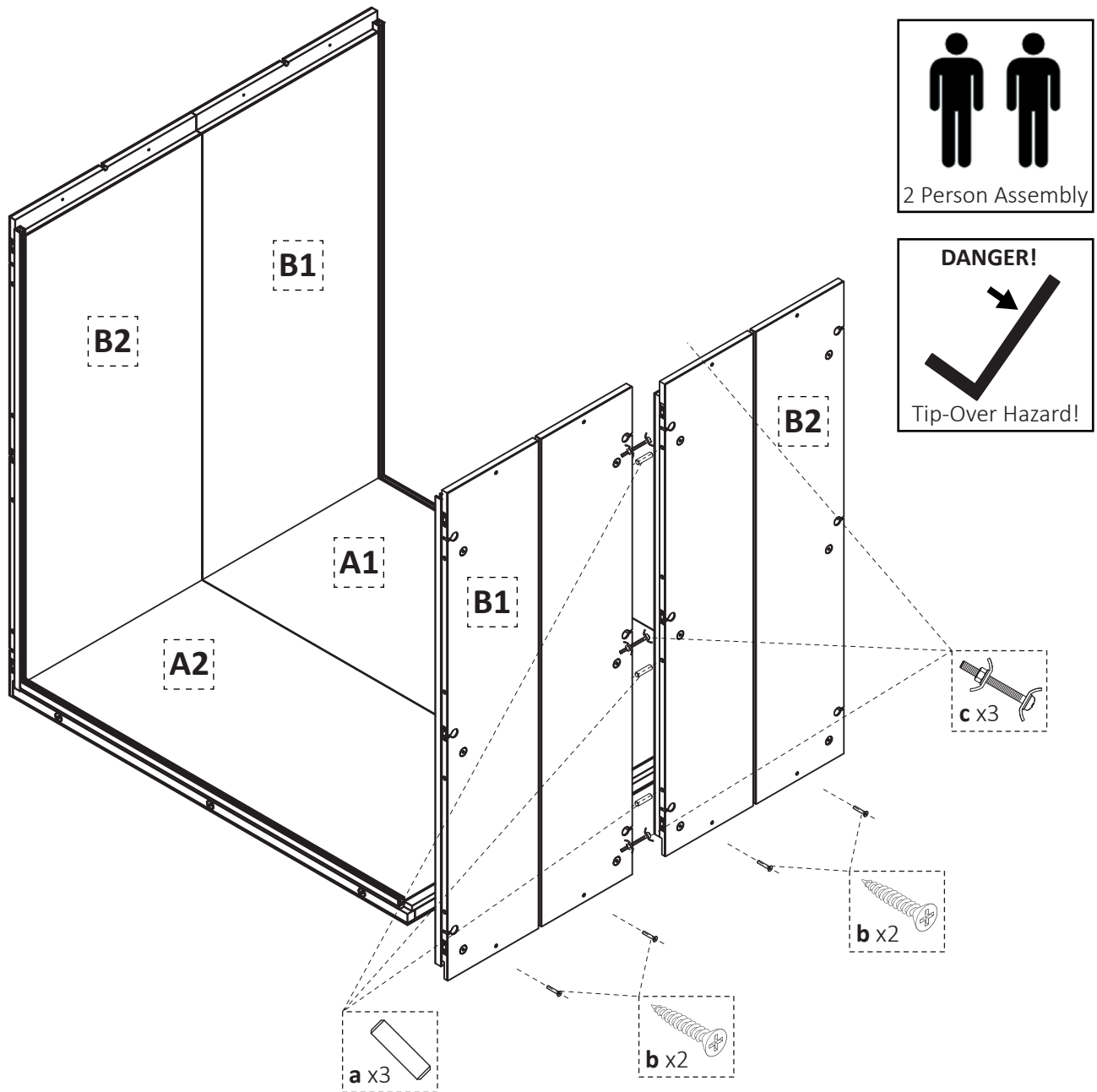


Secure the side modules (B1 & B2) using part “c” and tighten them with 10mm wrench. Then fix the side module (B1) with screws “b” while making sure the aluminium profiles highlighted on the scheme above are level with each other.

*Note! Assembly must be supported from the side to avoid tipping over until all side modules are attached.*



## 7. Side Module Assembly



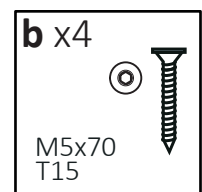
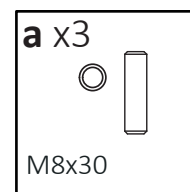
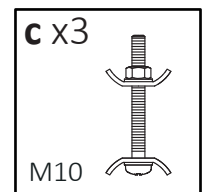
To finish the side module assembly, repeat steps from page 7 - 9:

**Page 7:** Lift the Side module (B2) on top of the Floor module (A1) and drive in screws "b" to secure the Side module.

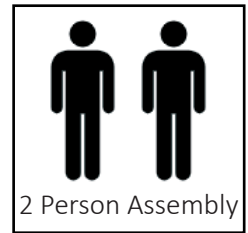
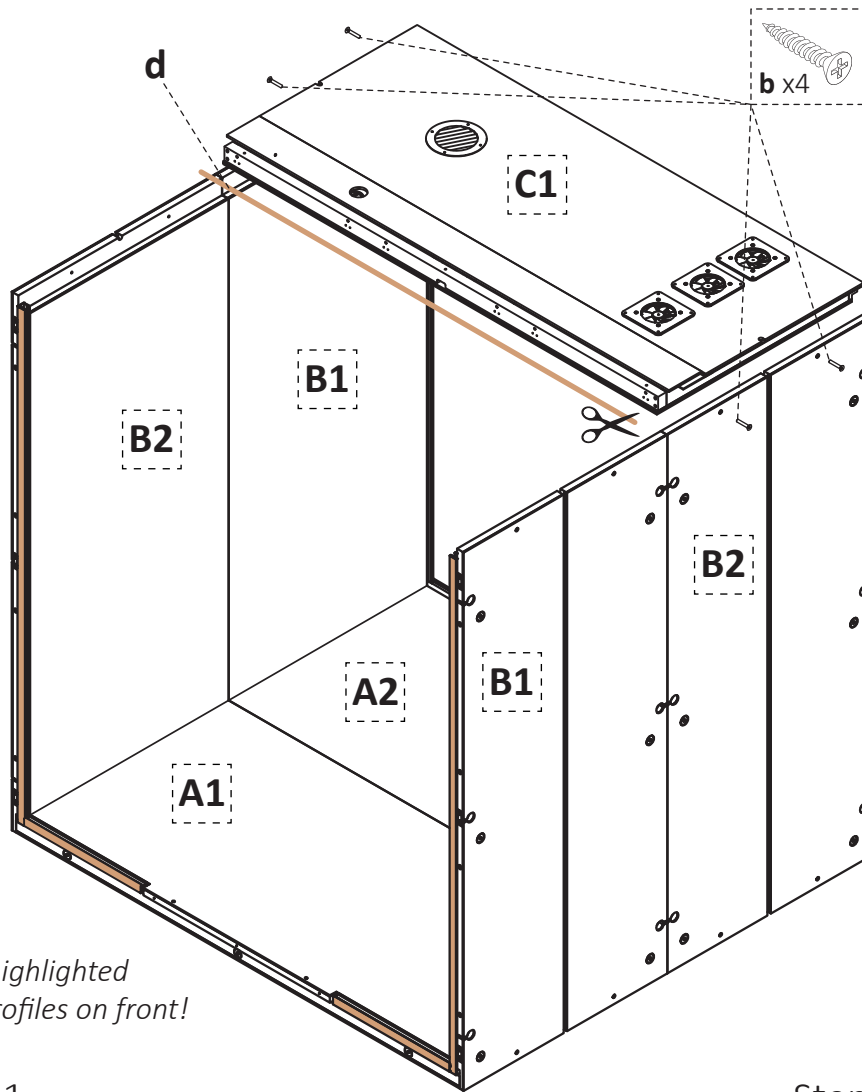
**Page 8:** Attach the pins "a" to the side module (B2) and then push the side modules (B1 & B2) together.

**Page 9:** Secure the side modules (B1 & B2) using part "c" and then fix the side module (B1) with screws "b" to floor module (A2).

*Note! Assembly must be supported from the side to avoid tipping over until all side modules are attached.*

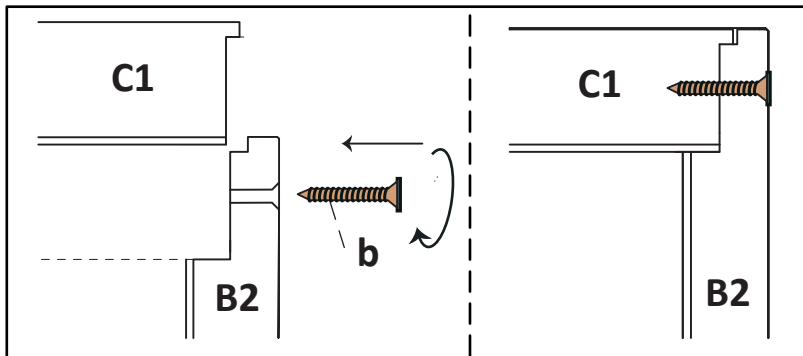


## 8. Ceiling Module Assembly

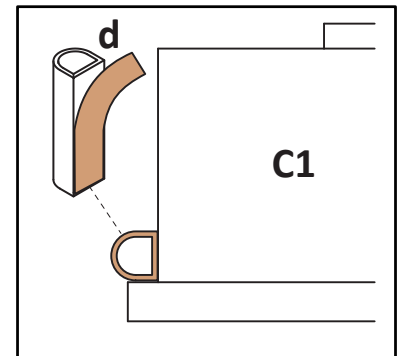


Note! Place highlighted aluminium profiles on front!

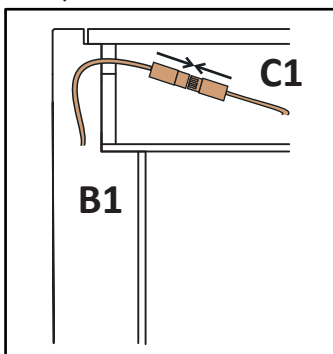
Step 1.



Step 2.



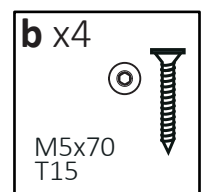
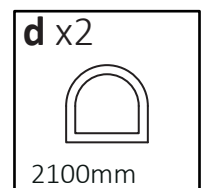
Step 3.



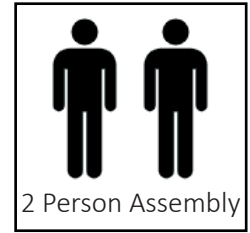
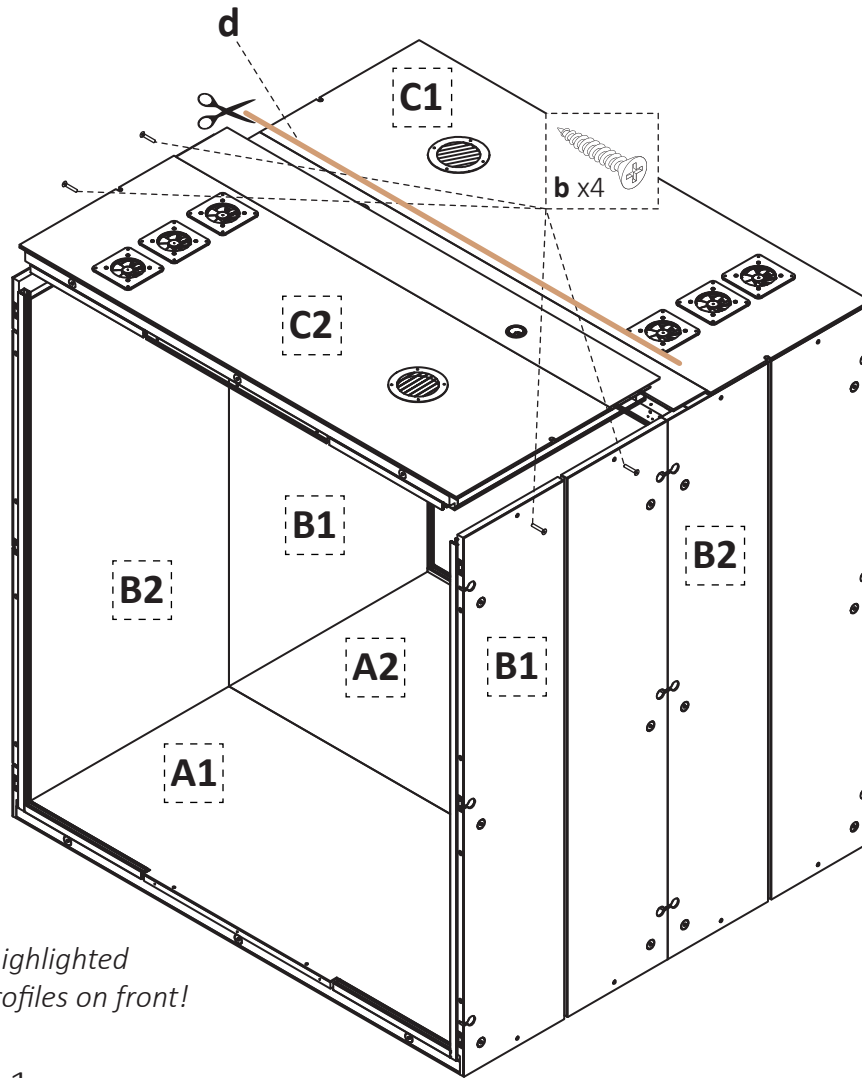
**Step 1.** Lift the Ceiling module (C1) on top of the Side modules (B1 & B2) and drive in screws "b" to secure the side modules.

**Step 1.** Attach gasket "d" to the inner edge of the ceiling module (C1). Make sure the gasket is covering the entire length of the ceiling module (C1).

**Step 3.** Connect the electrical fittings and place the fittings into the Ceiling module (C1)

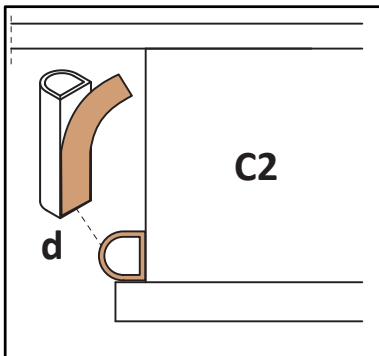


## 9. Ceiling Module Assembly

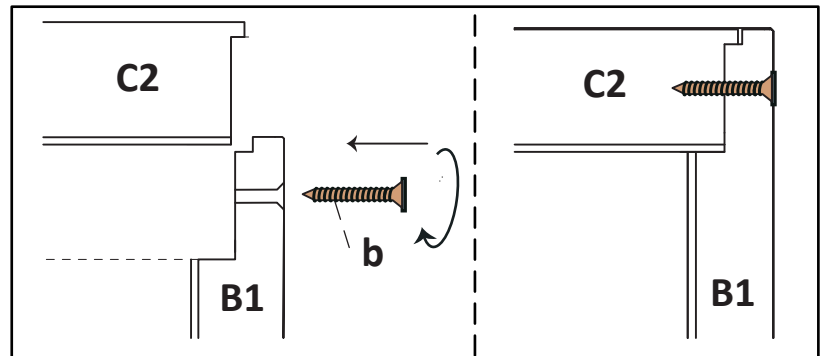


Note! Place highlighted aluminium profiles on front!

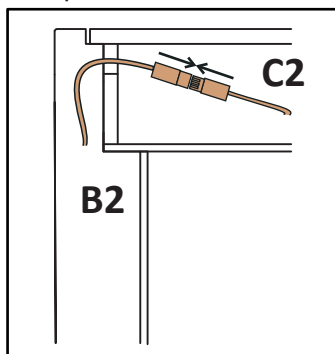
Step 1.



Step 2.



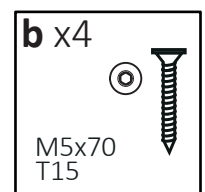
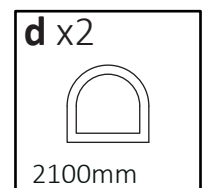
Step 3.



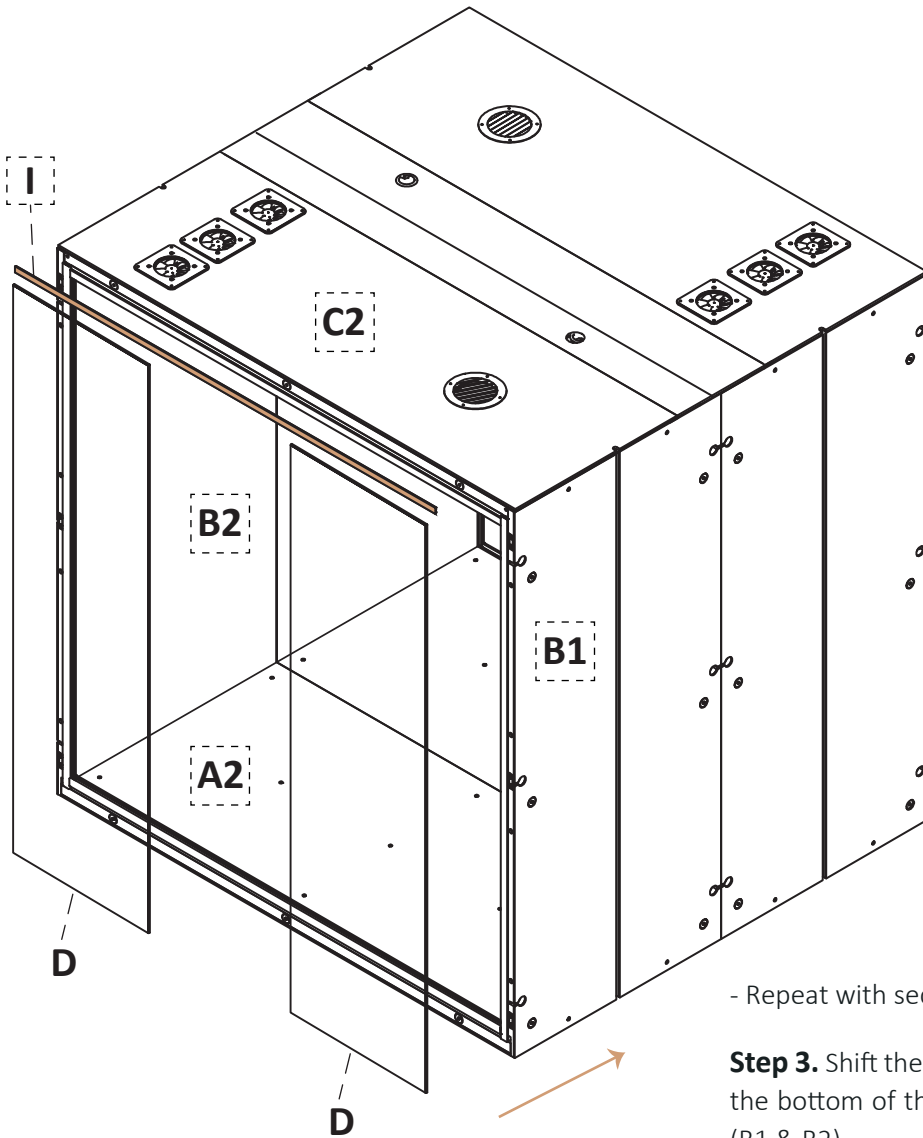
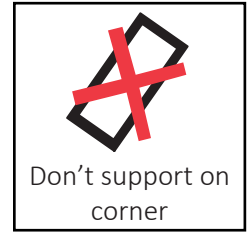
**Step 1.** Attach gasket “d” to the inner edge of the ceiling module (C2). Make sure the gasket is covering the entire length of the ceiling module (C2).

**Step 2.** Lift the Ceiling module (C2) on top of the Side modules (B1 & B2) and drive in screws “b” to secure the side modules.

**Step 3.** Connect the electrical fittings and place the fittings into the Ceiling module (C2)



## 10. Back Glass Panel Assembly



**Step 1.** Click in profile (I) to the ceiling module (C2) using a rubber mallet and plastic block to secure it.

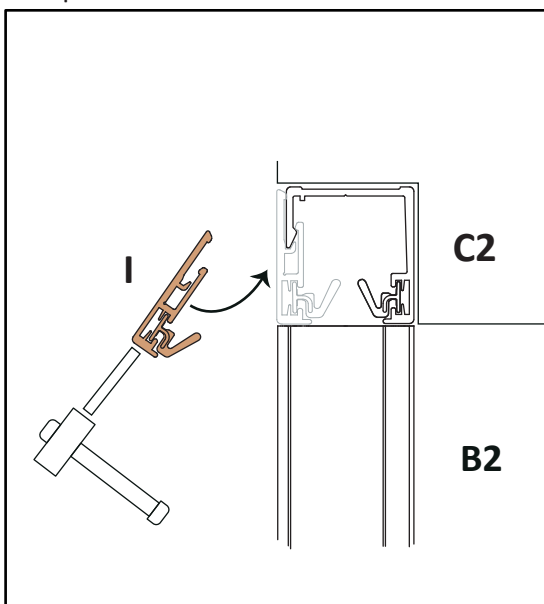
**Step 2.**

- Lift the glass panel (D) into the top aluminum profile using suction cups,
- Push the bottom of the glass panel (D) towards the back of the cabin,
- Carefully lower the glass panel (D) until it stands on spacers pre-installed in the bottom aluminum profile,

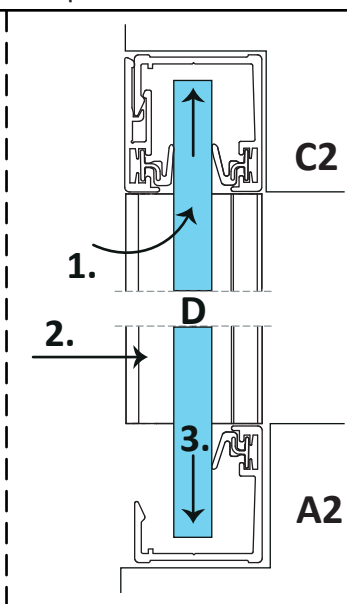
- Repeat with second glass panel on the opposite side.

**Step 3.** Shift the glass panels (D) right/left until they reach the bottom of the aluminum profile on the side modules (B1 & B2).

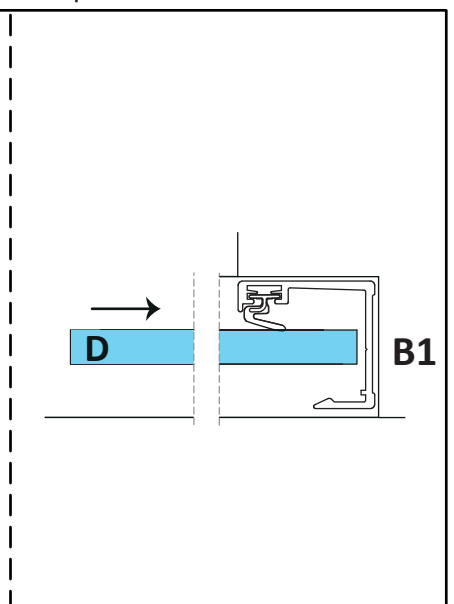
Step 1.



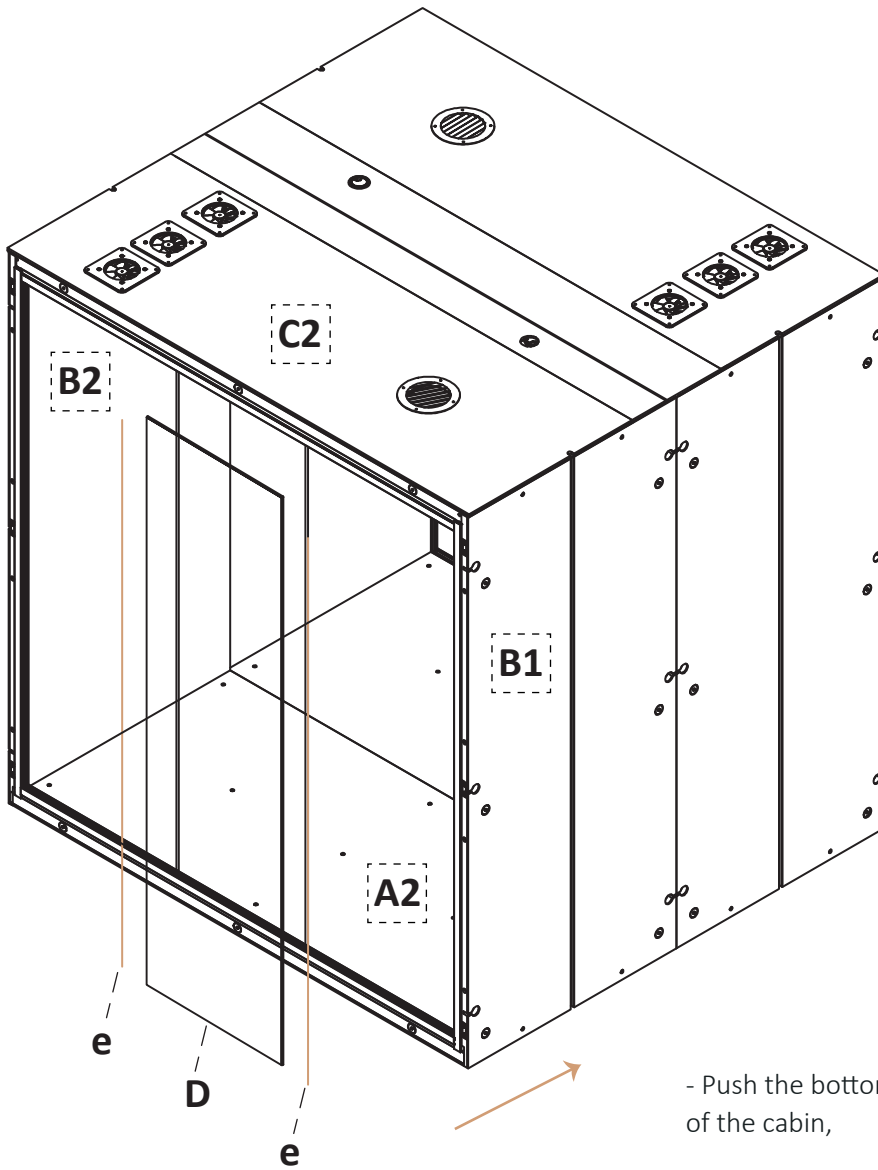
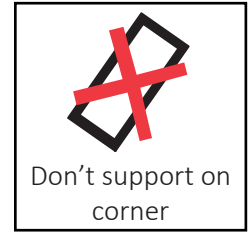
Step 2.



Step 3.



# 11. Back Glass Panel Assembly



**Step 1.** Carefully clean the visible edges of previously installed glass panels with solvent based solution to remove any residue. Remove the glue covering strip from glass-glass seal "e" from only one side and attach it to the edge of glass panel in full length.

*Note! Make sure to leave the opposite glue covering strip on the glass-glass seal "e".*

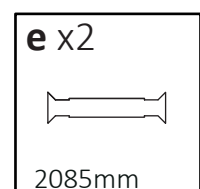
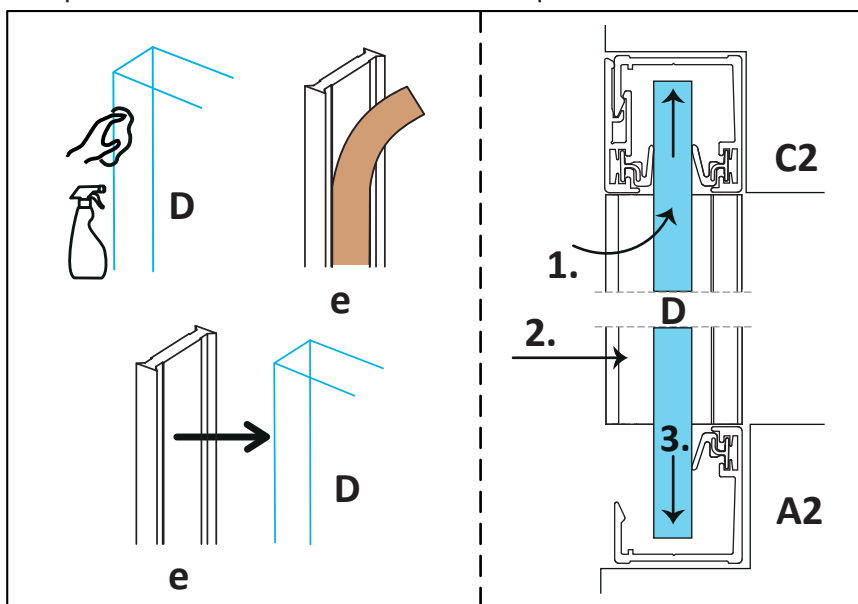
**Step 2.** Clean the vertical edges of glass panel (D) with solvent based solution to remove any residue, then Lift the glass panel (D) into the top aluminum profile using suction cups,

- Push the bottom of the glass panel (D) towards the back of the cabin,

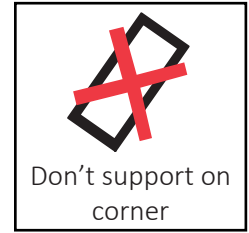
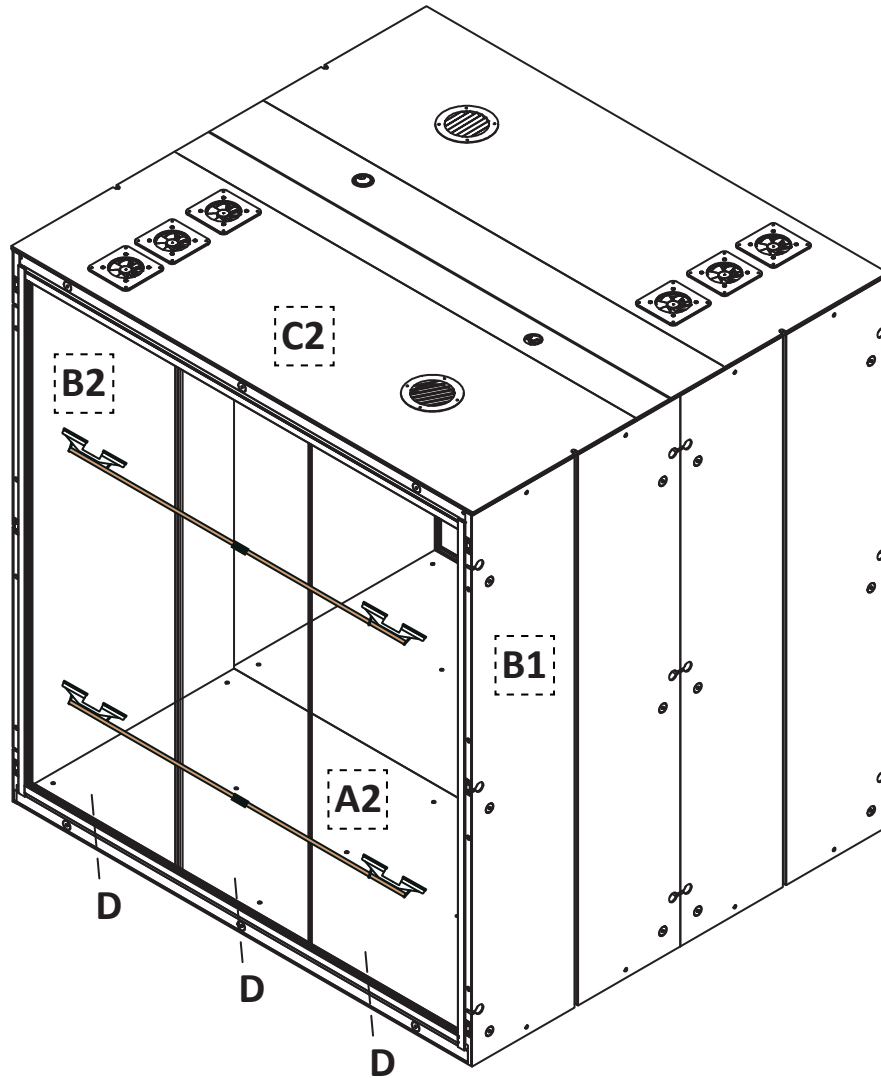
- Carefully lower the glass panel (D) until it stands on spacers pre-installed in the bottom aluminum profile.

Step 1.

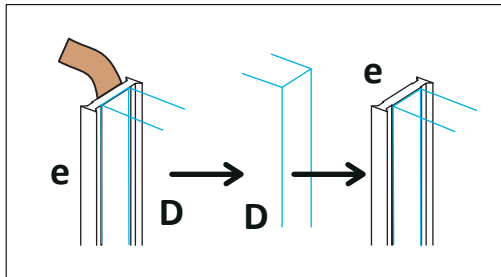
Step 2.



## 12. Back Glass Panel Assembly



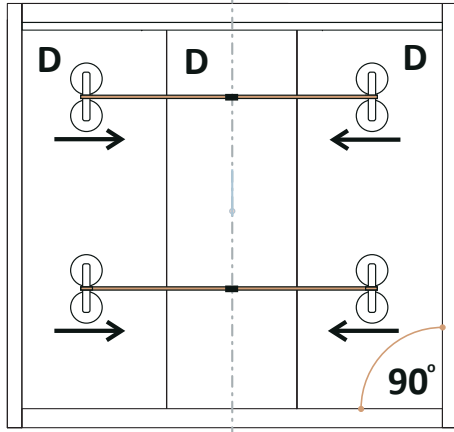
Step 1.



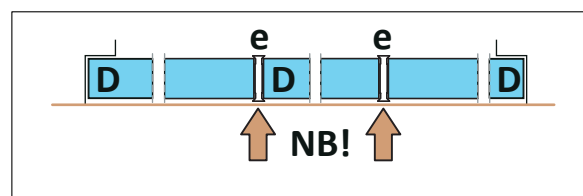
**Step 1.** Remove the remaining glue covering strips from previously attached glass-glass seals "e",

**Step 2.** Attach four suction cups on the side glass panels (as shown on schematic). Place ratcheting straps between the top and bottom suction cups and tighten until all panels are fixed to the glass-glass seals while making sure the glass panels are on the same plane to one another.

Step 2.

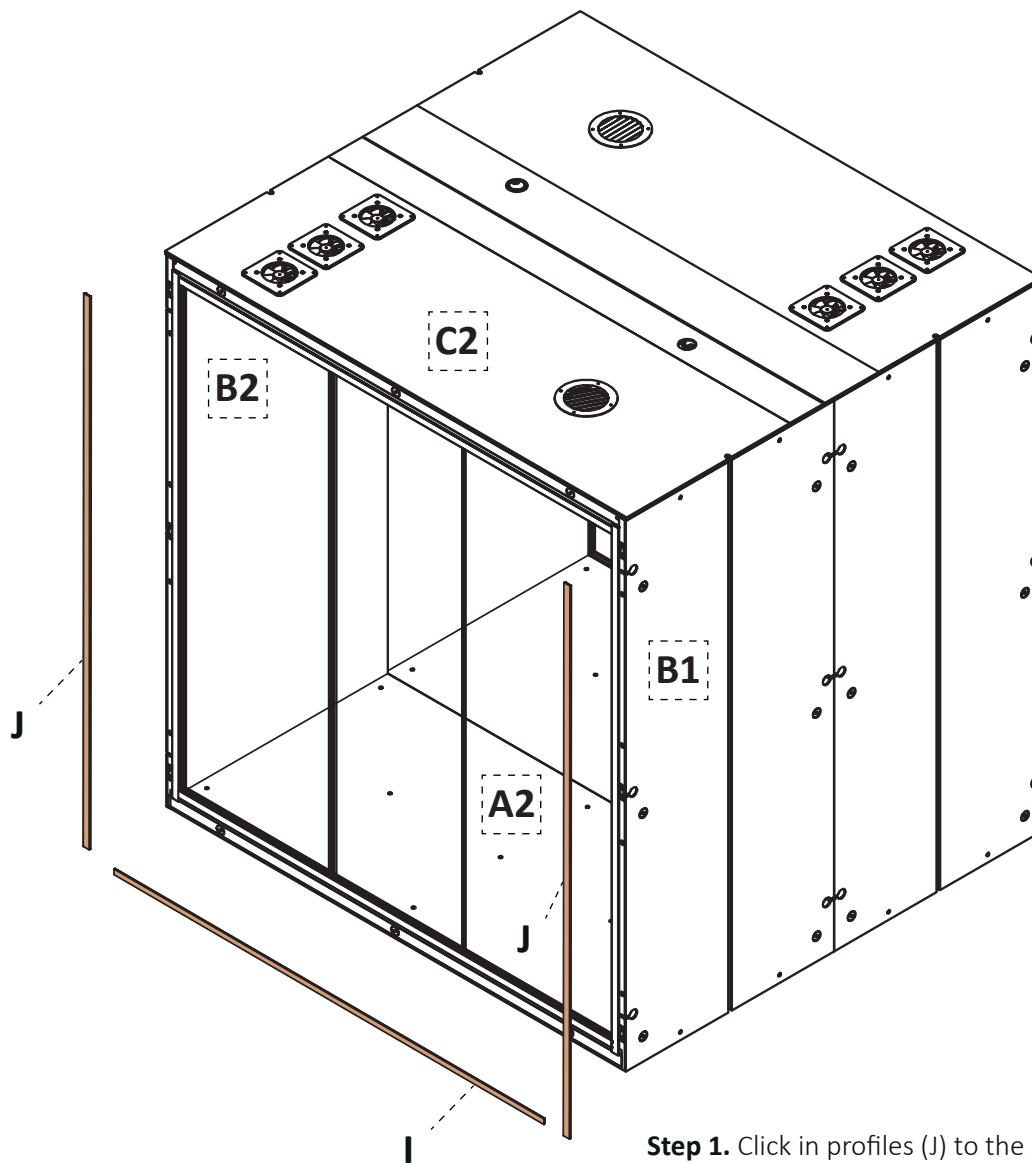


*Note! Make sure the side module and floor module are perpendicular to each other.*





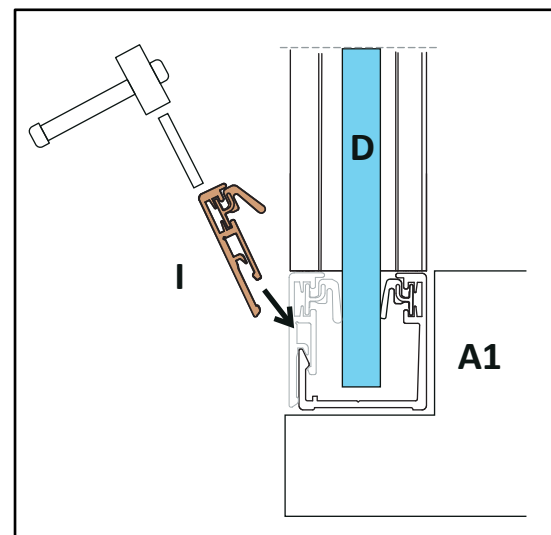
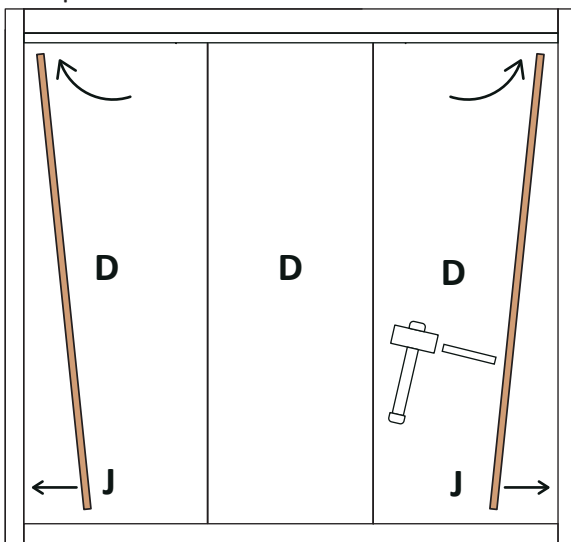
## 13. Profile Assembly



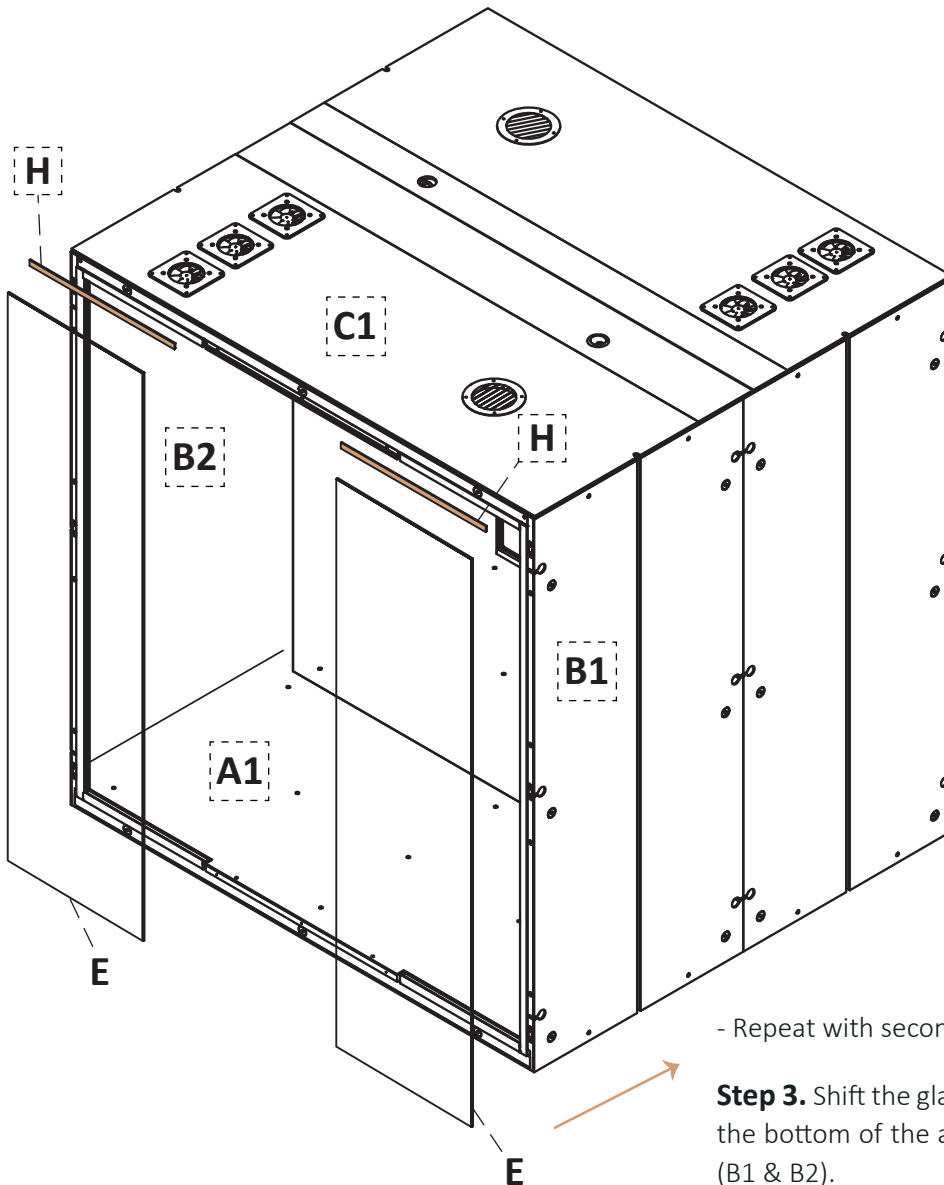
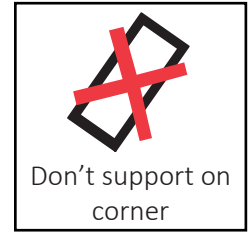
**Step 1.** Click in profiles (J) to the side modules using a rubber mallet and plastic block to secure it.

**Step 2.** repeat the process with profiles (I) on Floor module.

Step 2.



# 14. Front Glass Panel Assembly



**Step 1.** Click in profiles (H) to the ceiling module using a rubber mallet and plastic block to secure it.

**Step 2.**

- Lift the glass panel (E) into the top aluminum profile using suction cups,
- Push the bottom of the glass panel (E) towards the back of the cabin,
- Carefully lower the glass panel (E) until it stands on spacers pre-installed in the bottom aluminum profile,

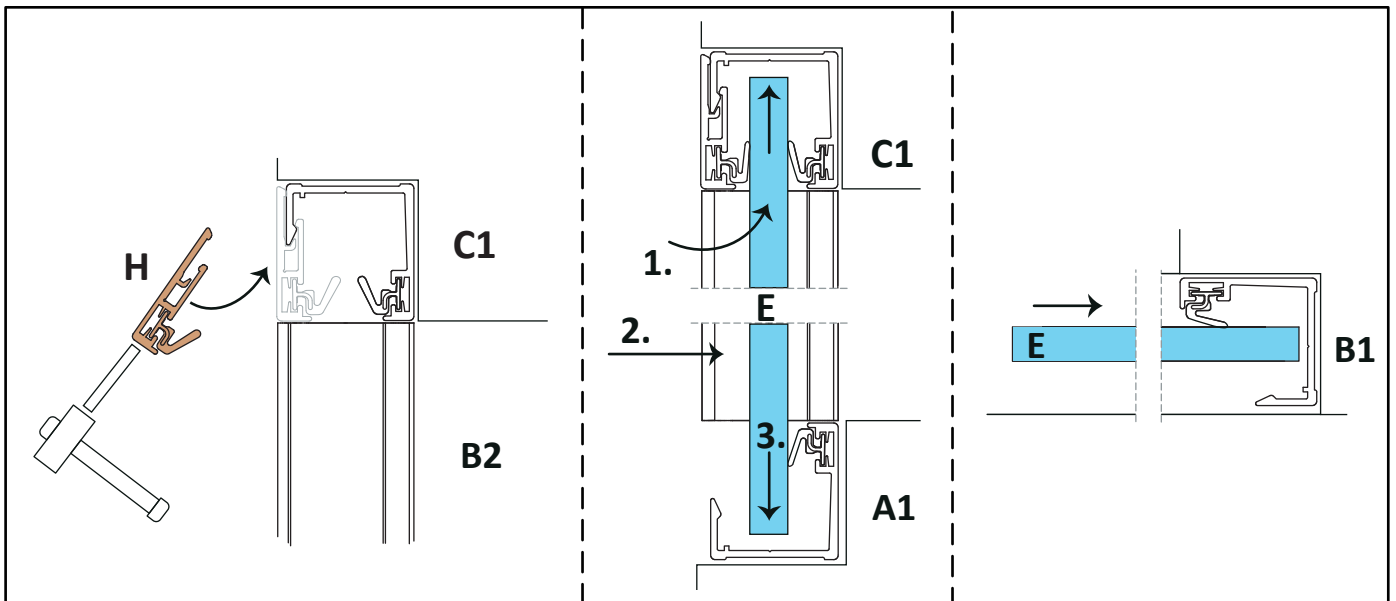
- Repeat with second glass panel on the opposite side.

**Step 3.** Shift the glass panels (E) right/left until they reach the bottom of the aluminum profile on the side modules (B1 & B2).

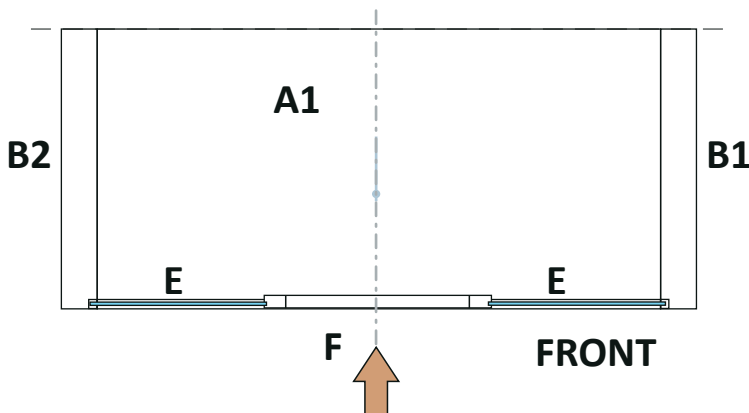
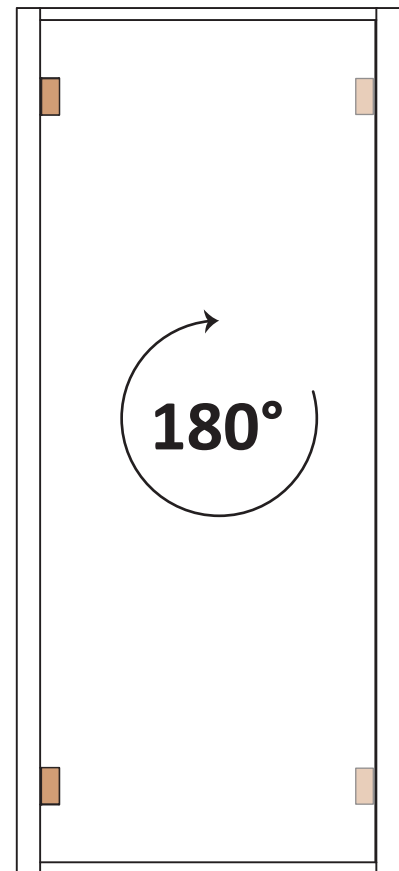
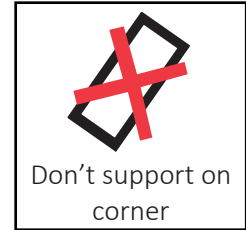
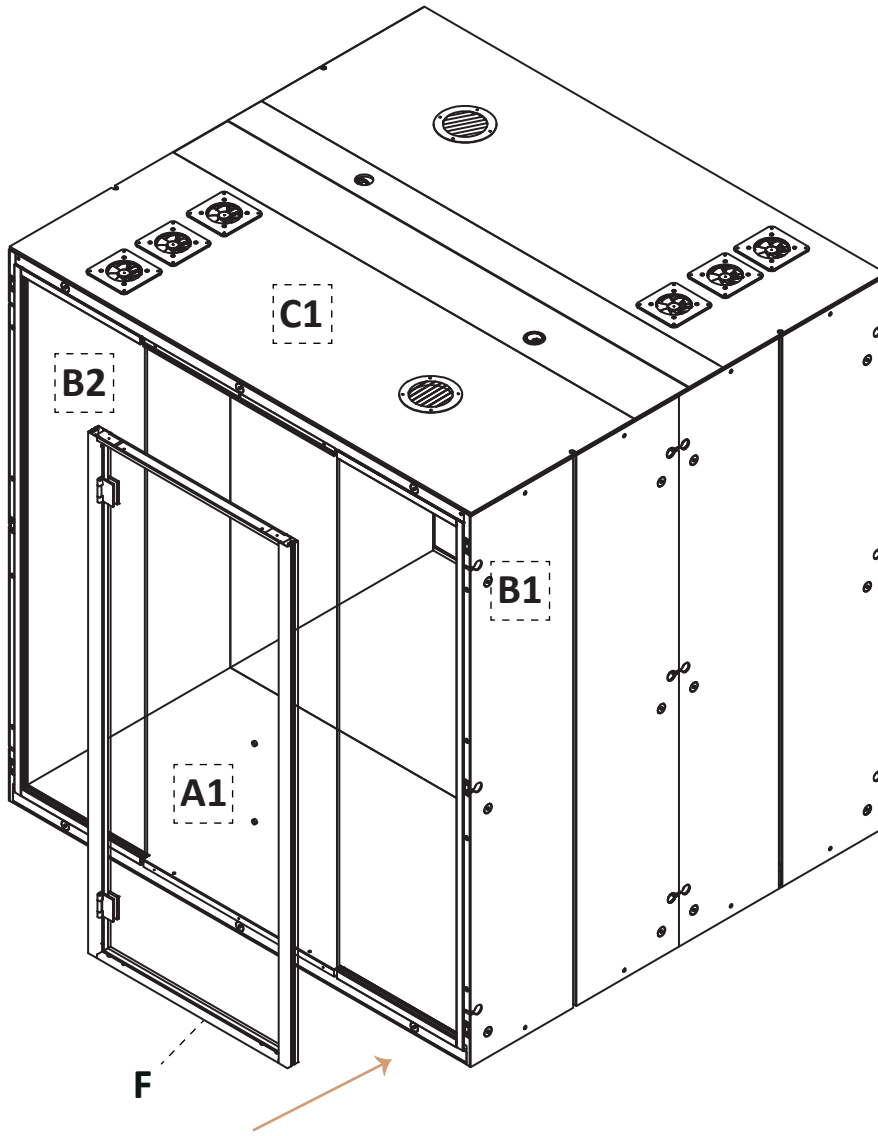
Step 1.

Step 2.

Step 3.

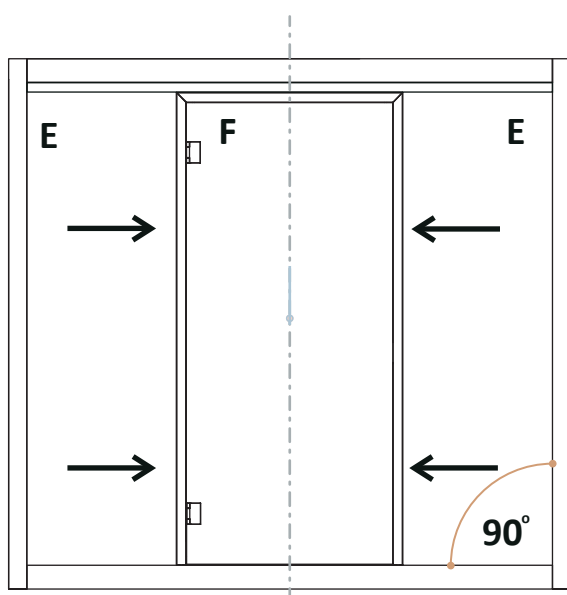
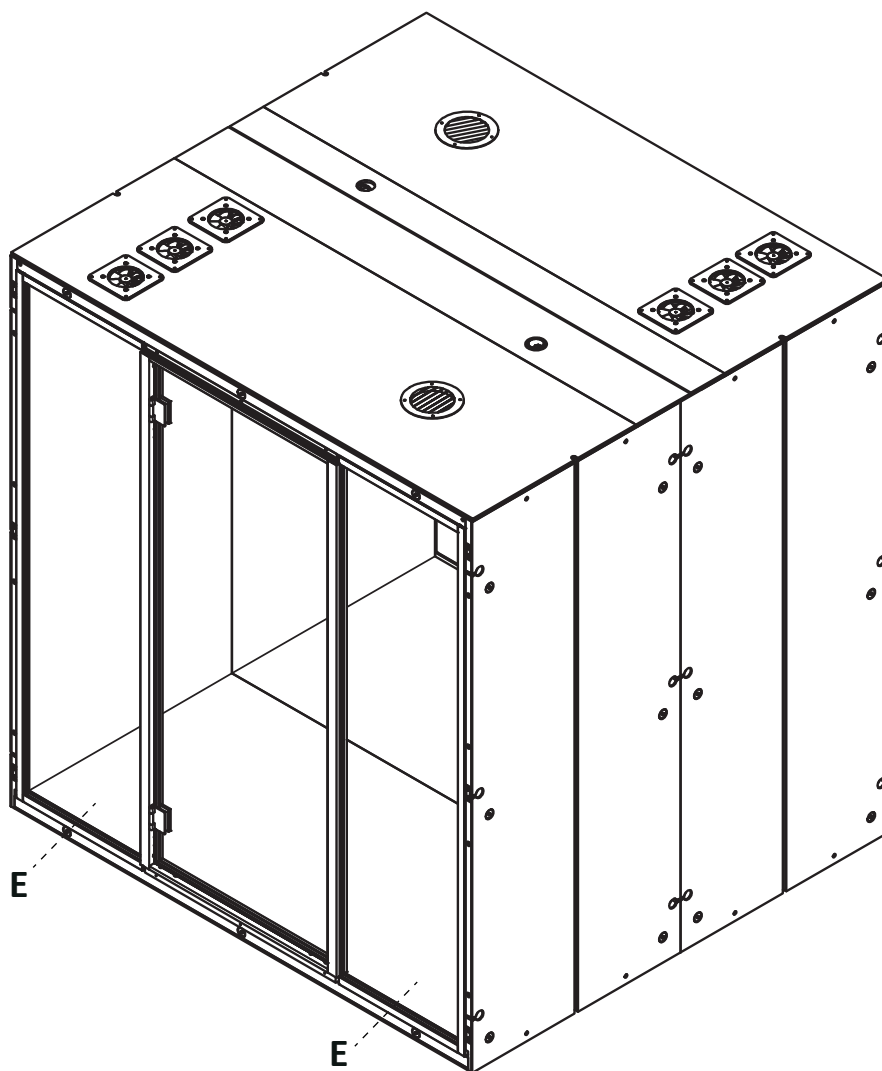


# 15. Door Frame Assembly



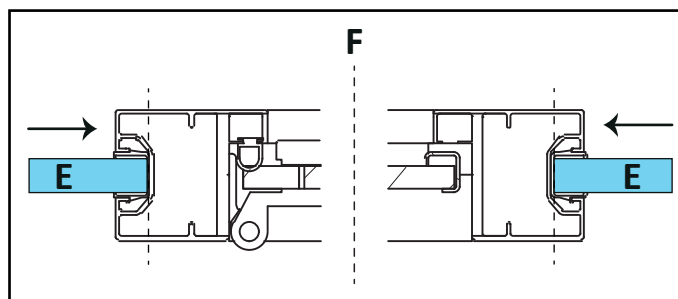
Note! To change the door handedness rotate the Door frame (H) 180°

## 16. Front Glass Panel Adjustments

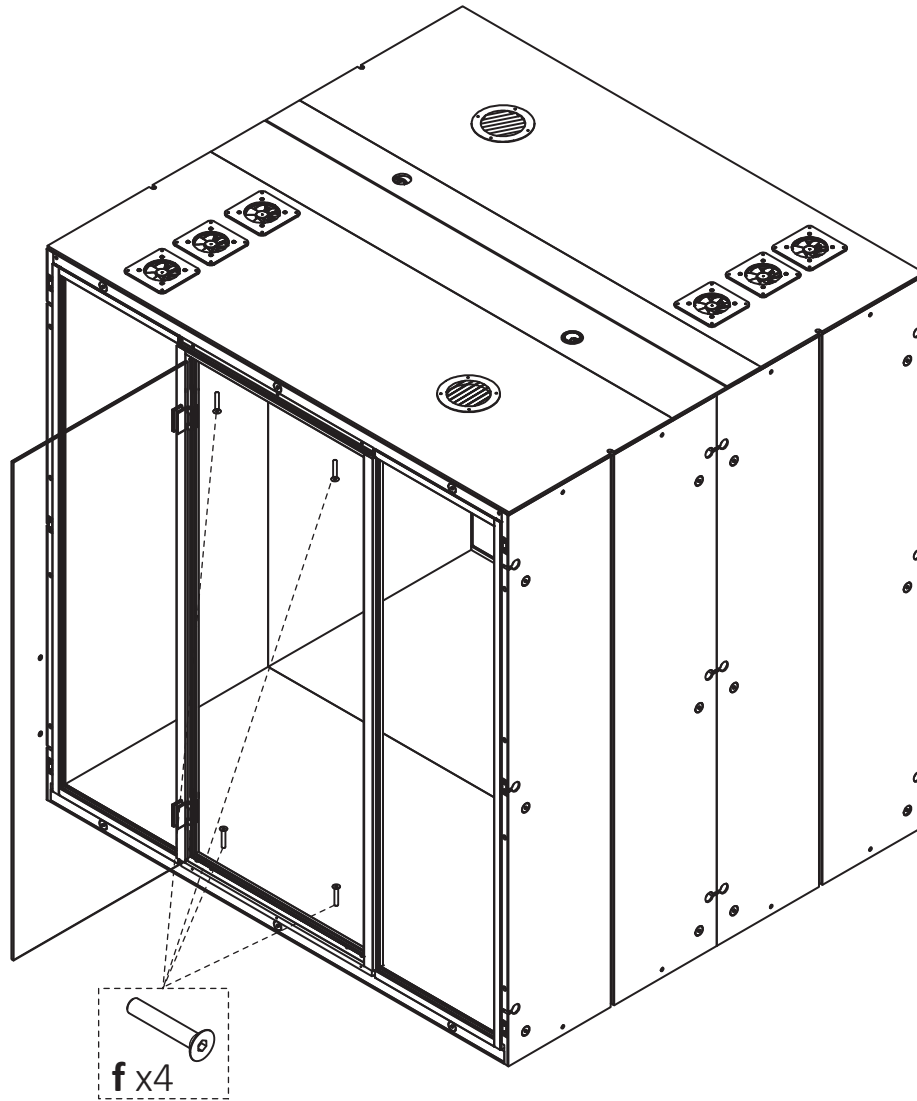


Push the front glass panels (E) firmly towards the door frame until both panels are slid into the door frame profiles.

*Note! Make sure the side and floor module are perpendicular to each other*

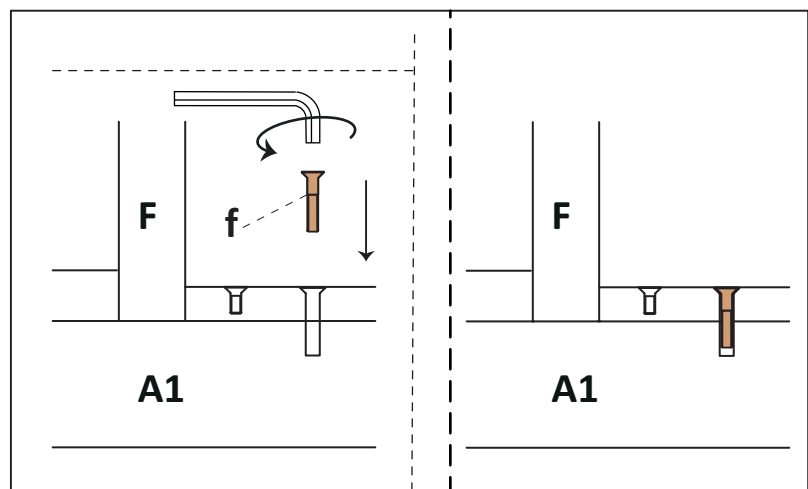
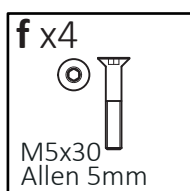


## 17. Door Frame attachments

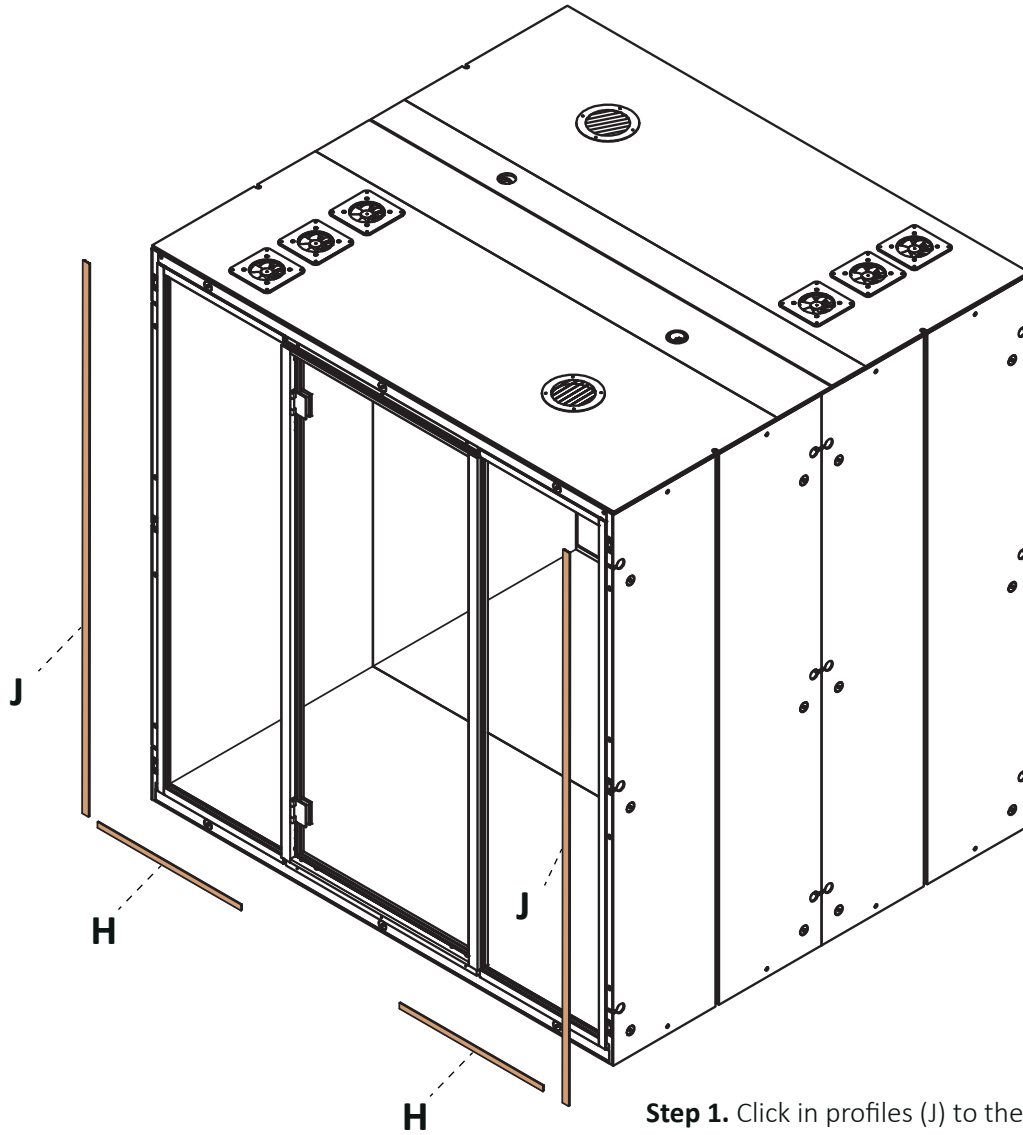


Drive in screws "f" to attach the Door frame (H) to the Chatbox

*Note! Door must be in "open" position for assembly.*

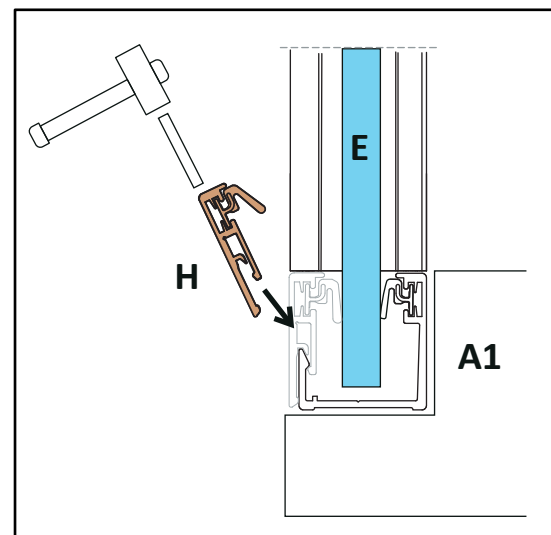
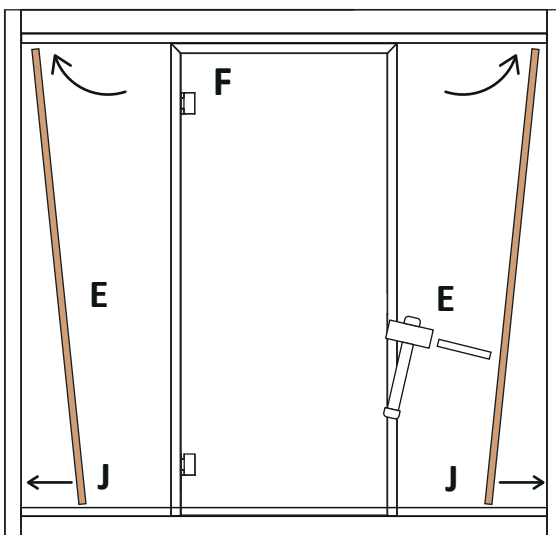


## 18. Profile Assembly

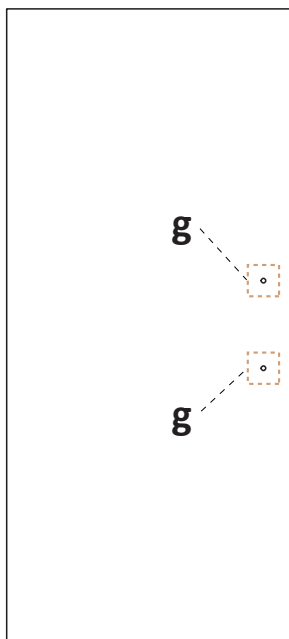
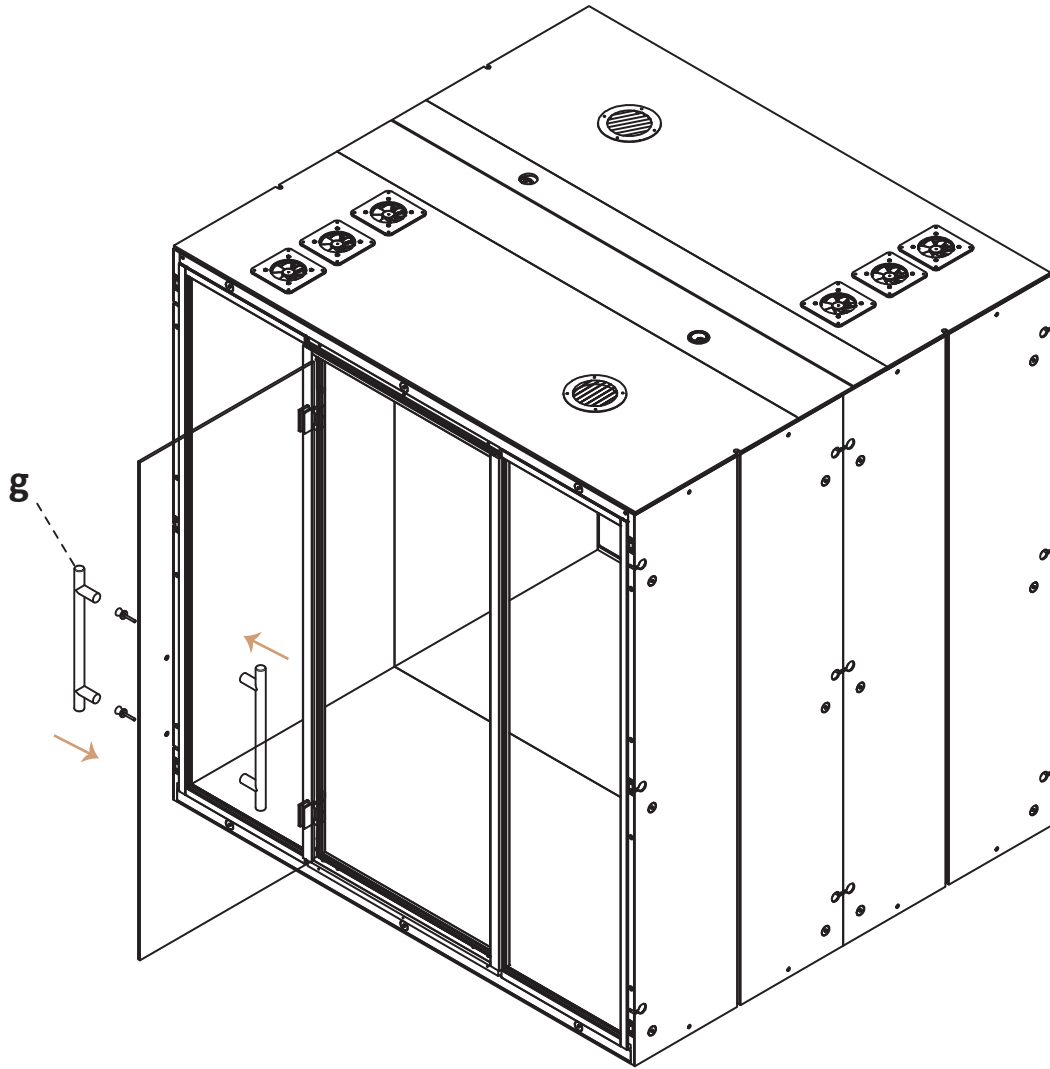


**Step 1.** Click in profiles (J) to the side modules using a rubber mallet and plastic block to secure it.

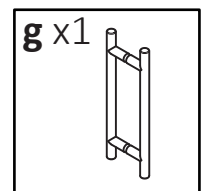
**Step 2.** repeat the process with profiles (H) on Floor module.



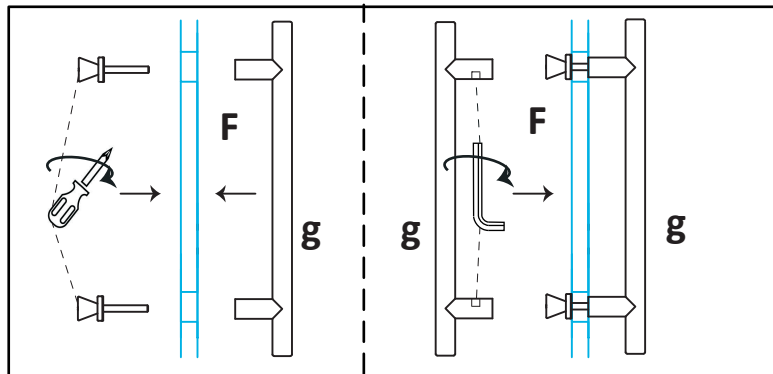
## 19. Door Handle Assembly



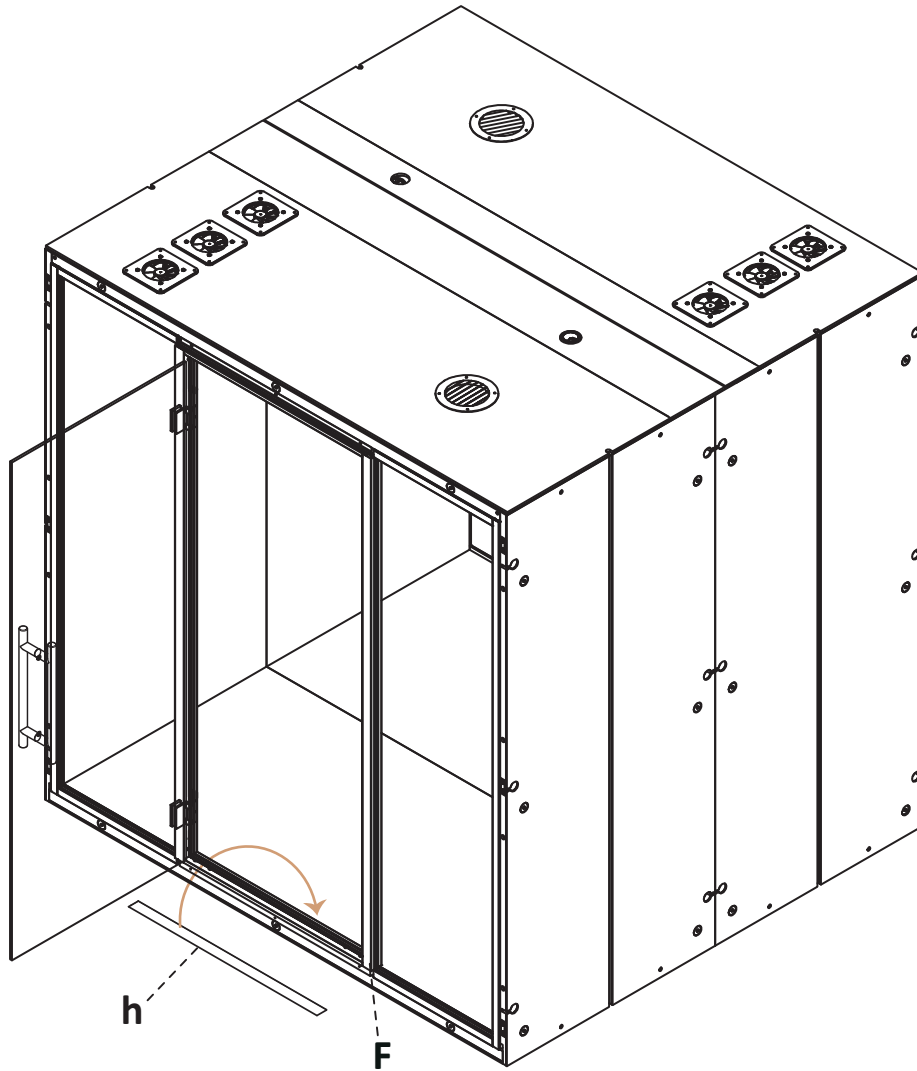
**Step 1.** Place the Door handle “g” on the Door glass (F) and secure it with the provided handle set attachments.



**Step 2.** Place the second half of the handle on top of the attachments and secure the bolts with an allen key.

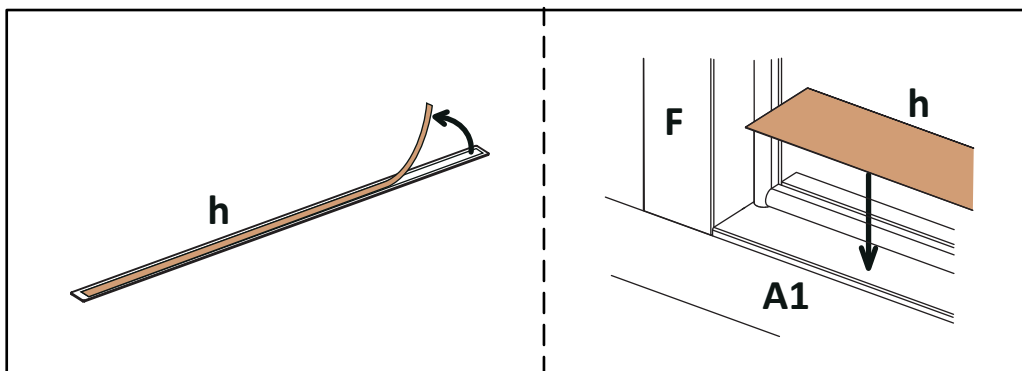
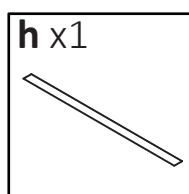


## 20. Door Threshold Assembly



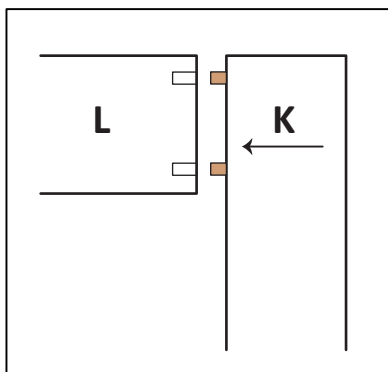
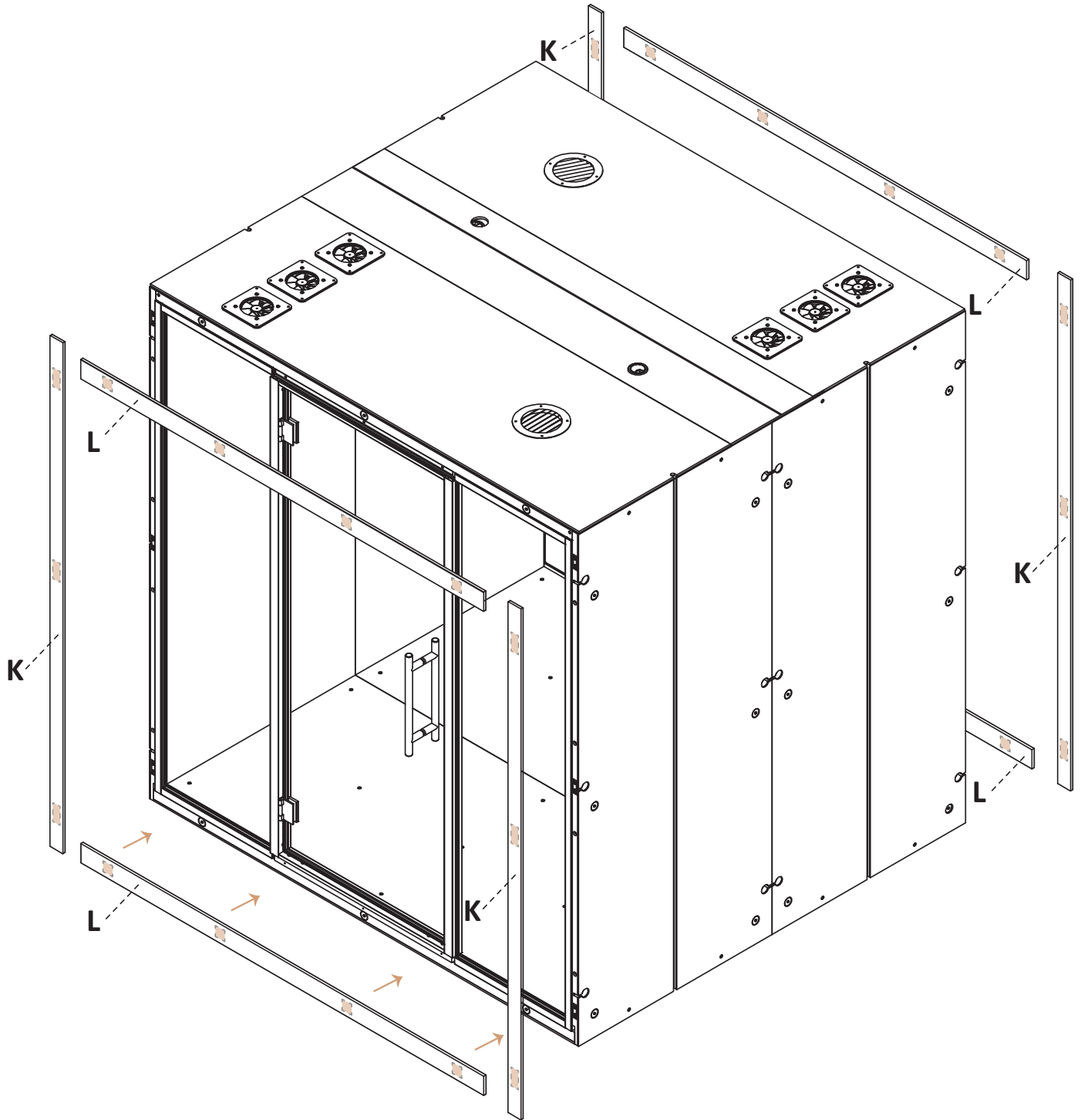
**Step 1.** Remove protection tape from decorative door threshold "h"

**Step 2.** Attach threshold with glue covered side to door frame (F).





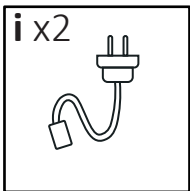
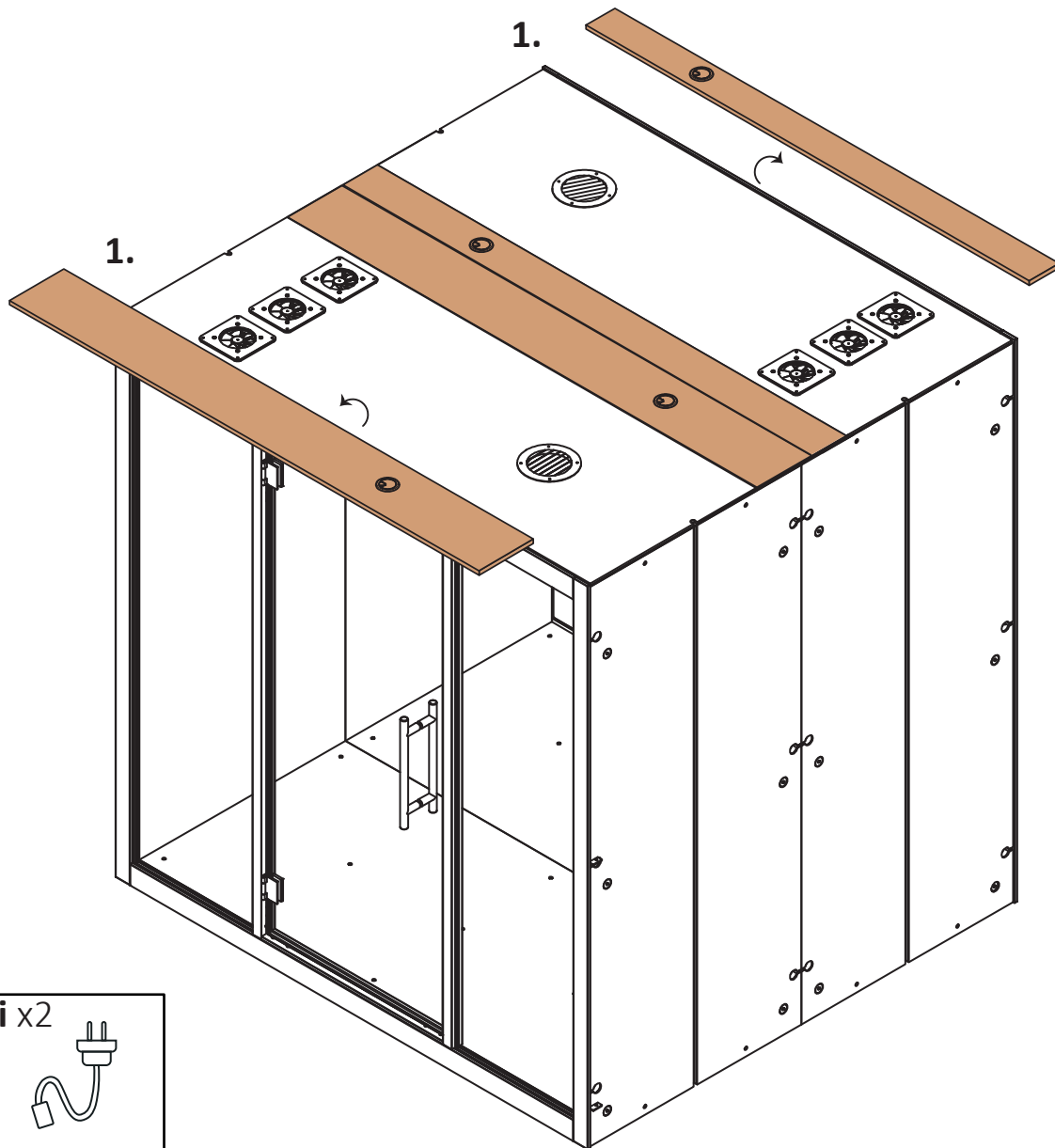
## 21. Covering Trim Assembly



Attach covering trims (L) on the front/back side of floor modules (A1 & A2) and ceiling modules (C1 & C2).

Attach covering trims (K) on the front/back side of side modules (B1 & B2) and connect them with pins attached to trims (L)

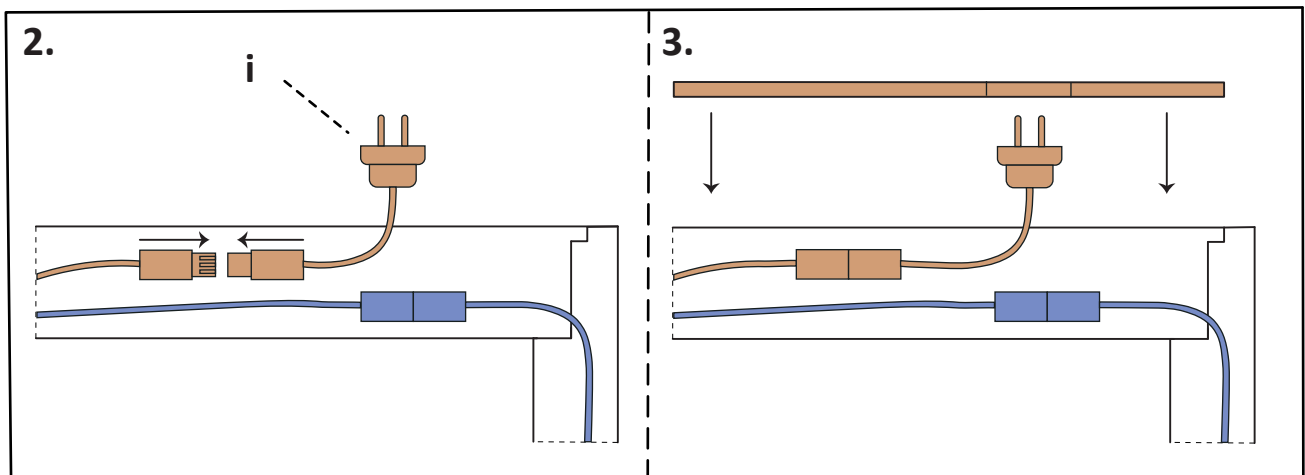
## 22. Connecting electrical fittings



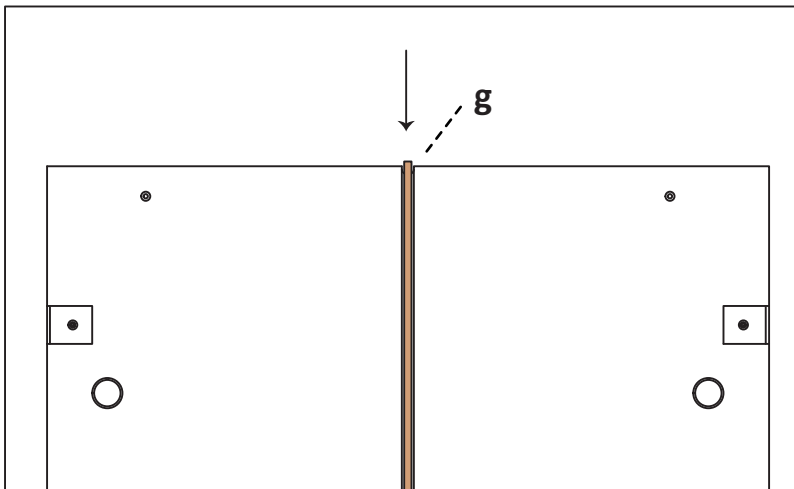
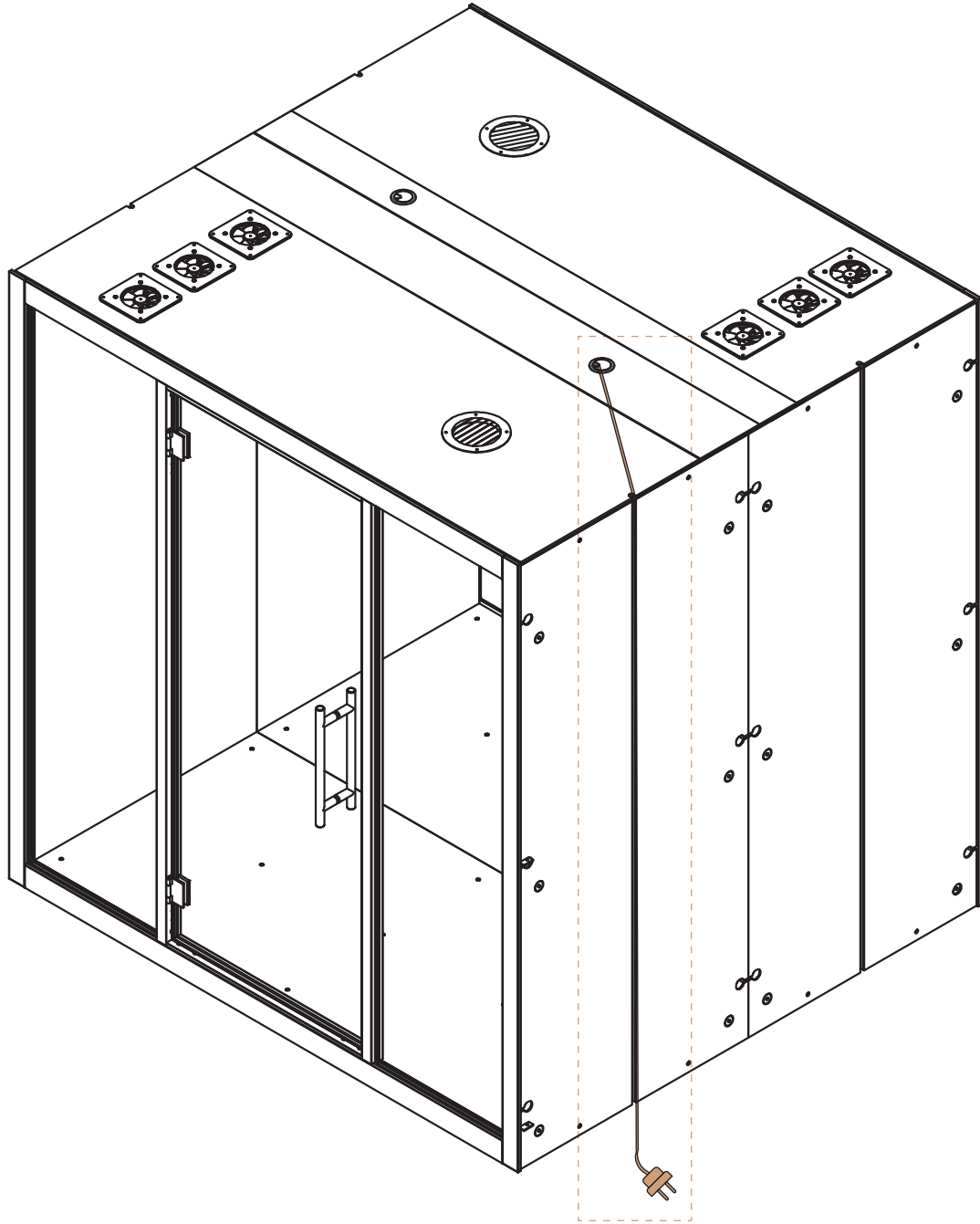
 - Powercord connection

 - Side panel (table socket) connection

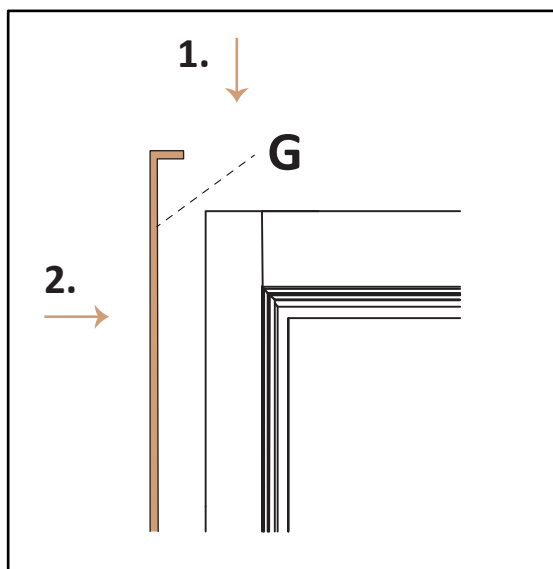
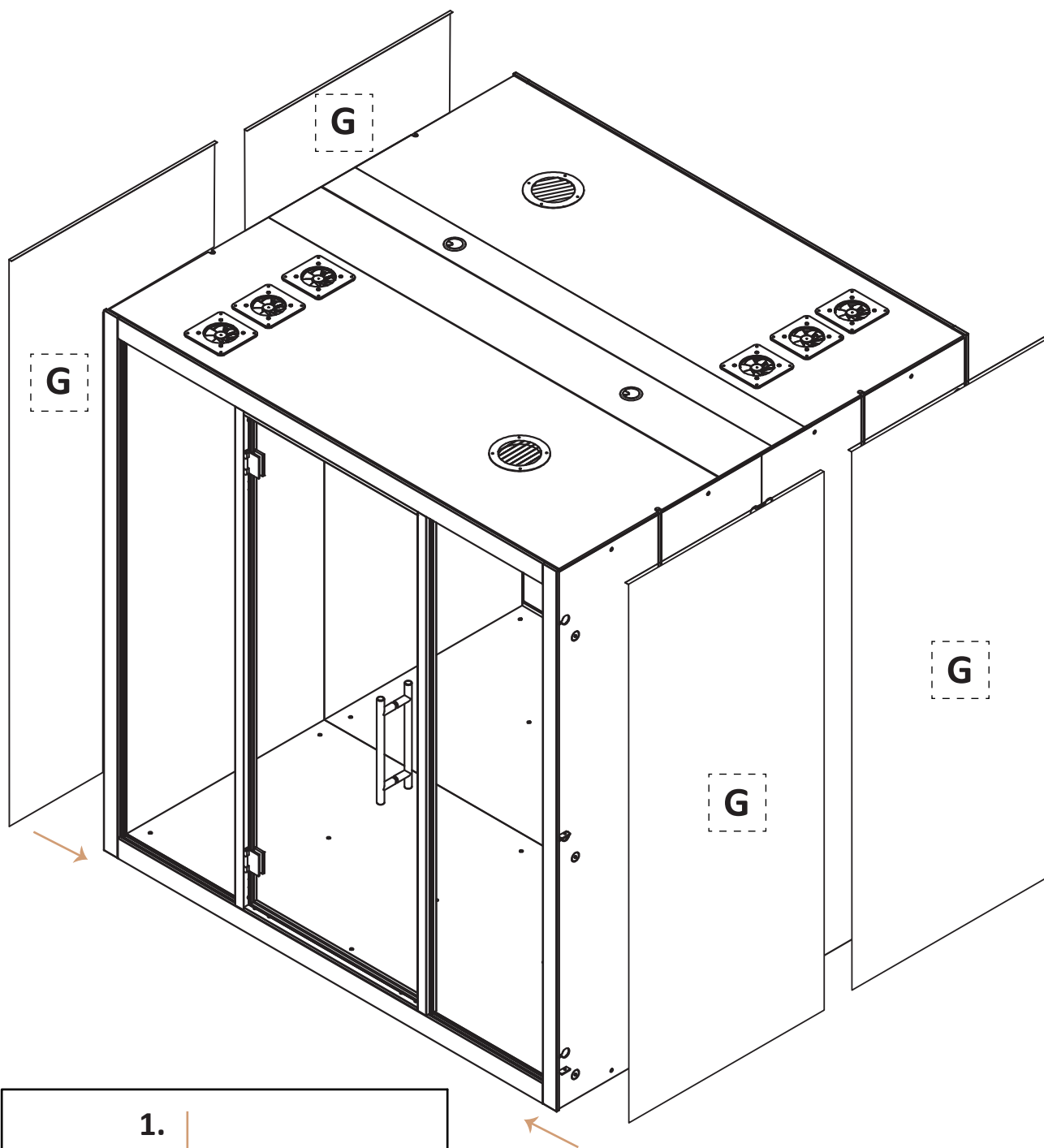
Remove the Cover plate from Ceiling modules (C1 & C2) to expose electrical fittings. Connect Power chord "i" and return Cover plate.



**Optional.** Power chord positioning



## 23. Covering plate Assembly



Attach the Covering plates (G) by placing them first on top of the Chatbox and then slowly let the magnets pull the side panel to it's place.