

When the angle of the back has been adjusted, please ensure that the lever is locked in place, do not leave it unlocked as it can compromise the structure of the chair.

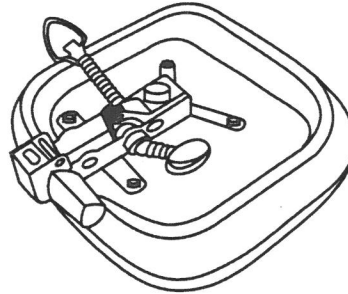
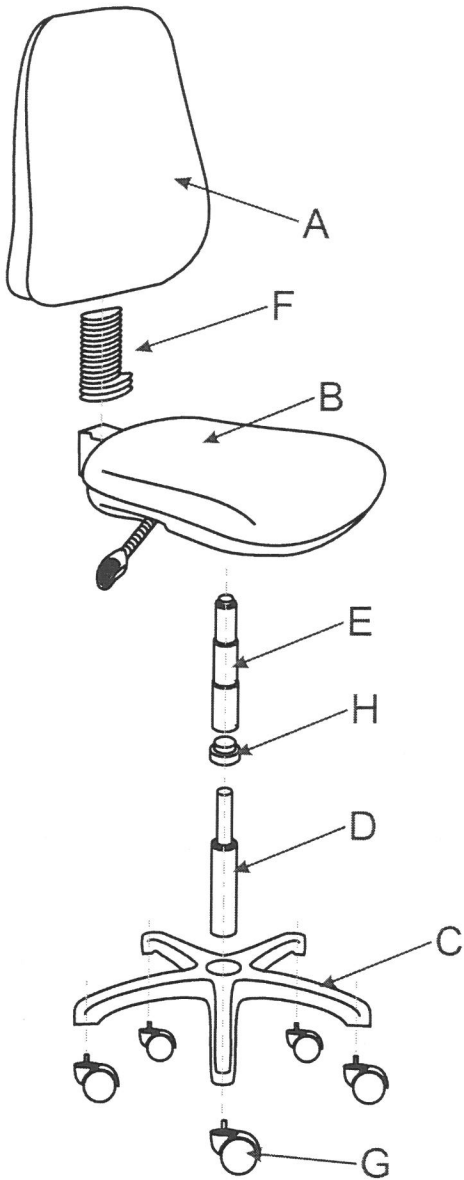
TEKNIK OFFICE LTD.

Phone: 01234 328804

Fax: 01234 342446

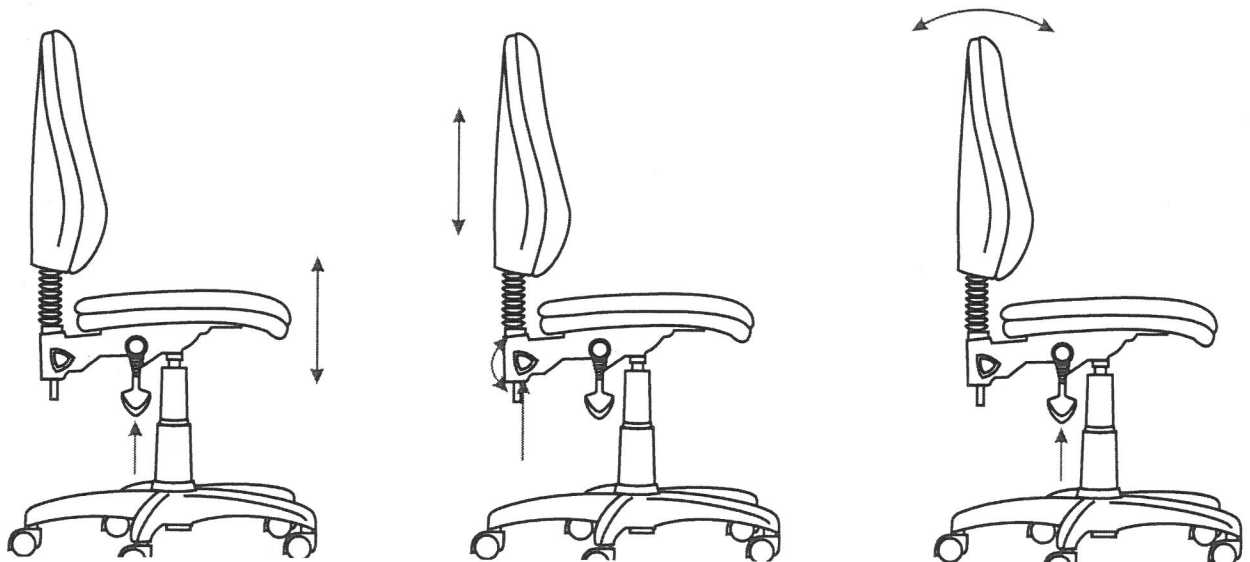
E-mail: CustomerService@teknikoffice.co.uk

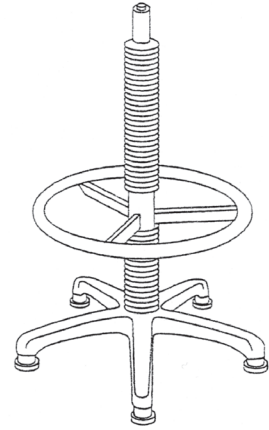
ASSEMBLY INSTRUCTION



A	x1	B	x1	C	x1	
					this part is attached to the bottom of E	
D	x1	E	x1	F	x1	G x5 H x1

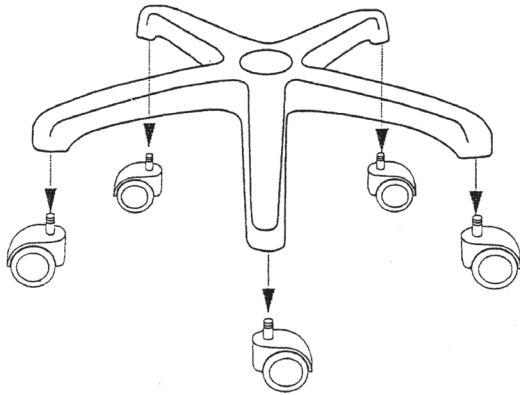
OPERATING INSTRUCTION





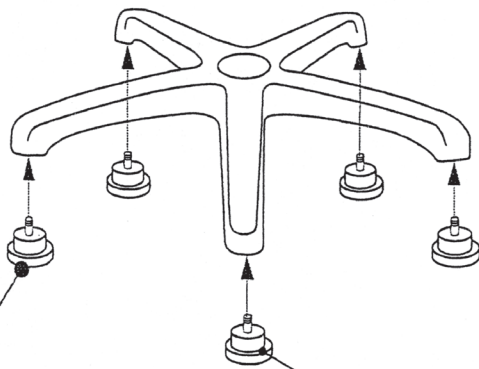
TEKNIK RING KIT

1



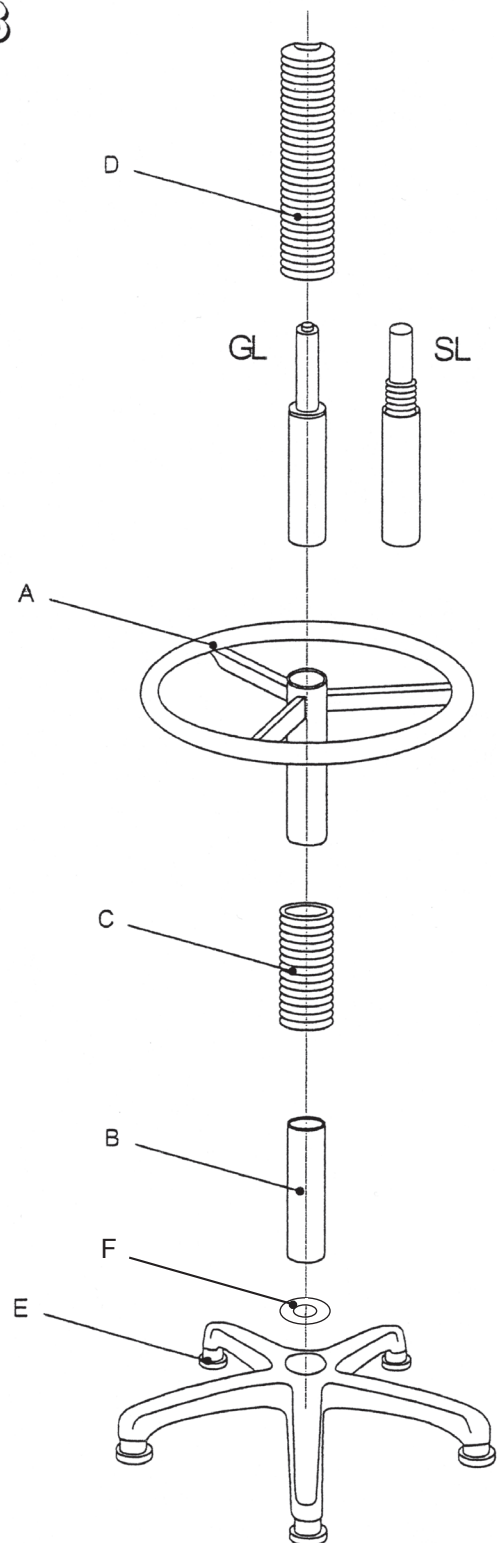
Togliere la ruota dal basamento
 Pull the casters out of the 5 star base
 Retirer la roulette du platement
 Die roller vom fusskreuz wegnehmen

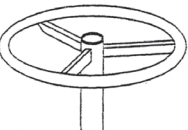





2



Spingere
 Push in
 Pousser
 Drucken

3



											
A	x1	B	x1	C	x1	D	x1	E	x5	F	x1