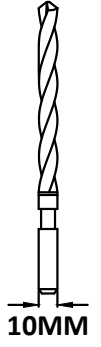
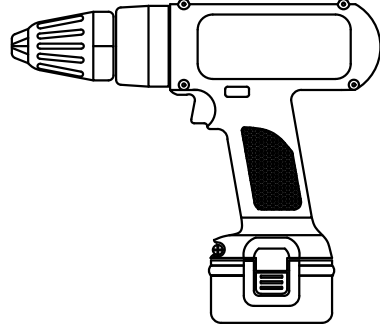
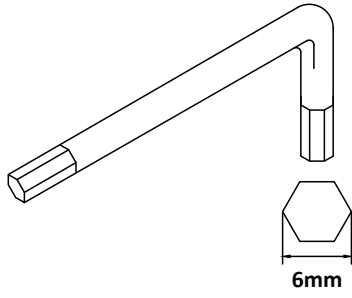
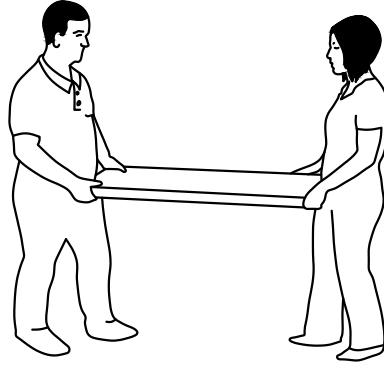
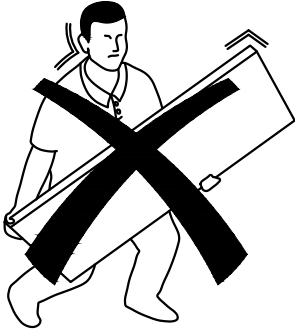


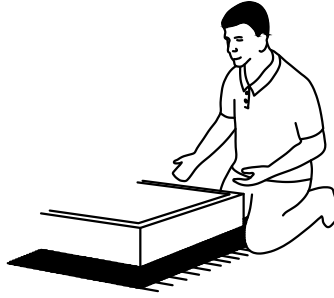
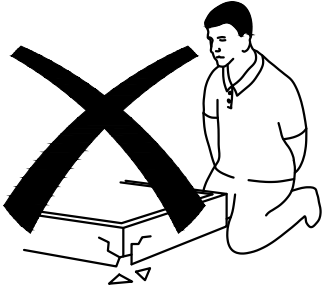
**TOOLS REQUIRED
FOR ASSEMBLY**



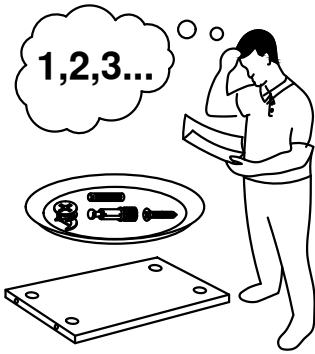
**DONT STRUGGLE
2 MAN LIFT**



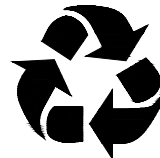
**ALWAYS HANDLE
ITEMS WITH CARE**



**IF UNSURE CALL
FOR ASSISTANCE**

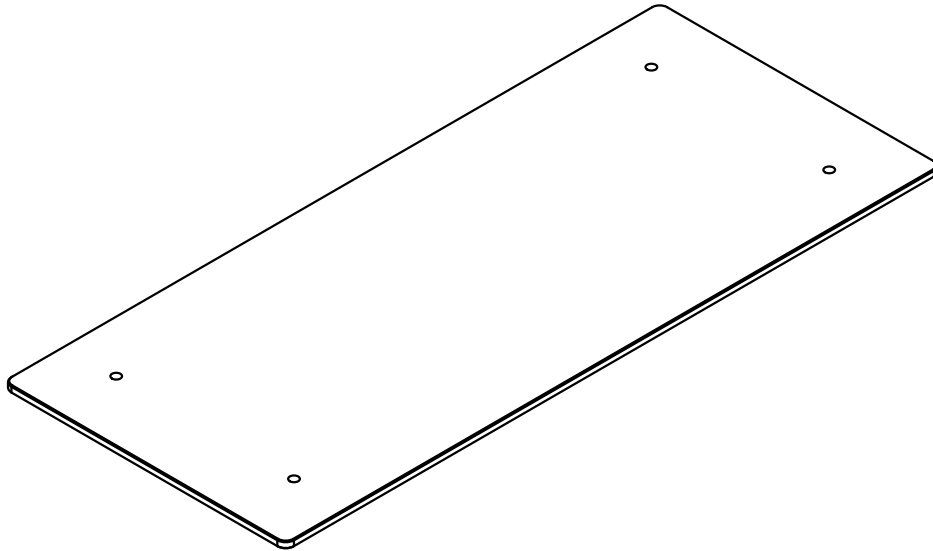
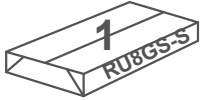


**KEEP FITTINGS AWAY
FROM CHILDREN**





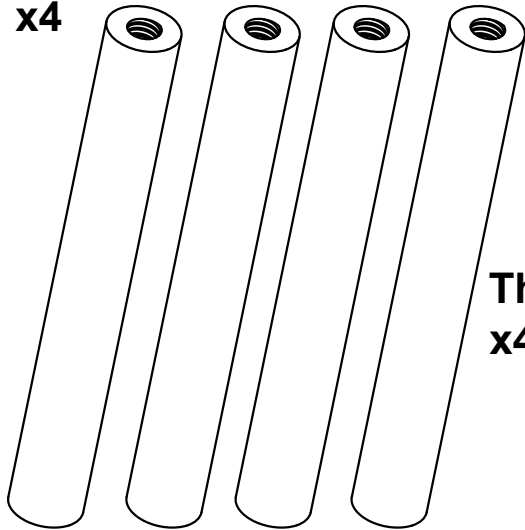
Please check that you have all the panels!



Please check that you have all the fittings!

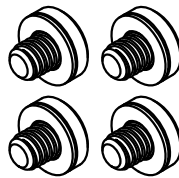
Support Legs

x4



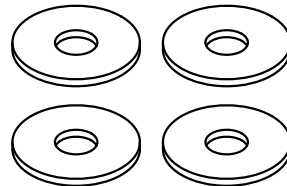
Threaded Caps

x4



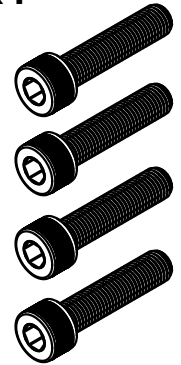
Washers

x4

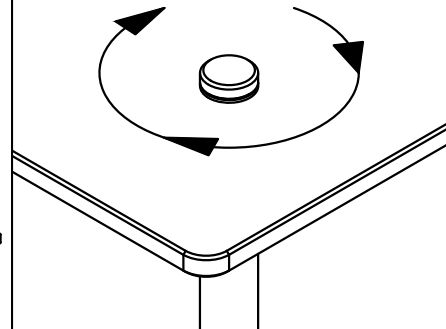
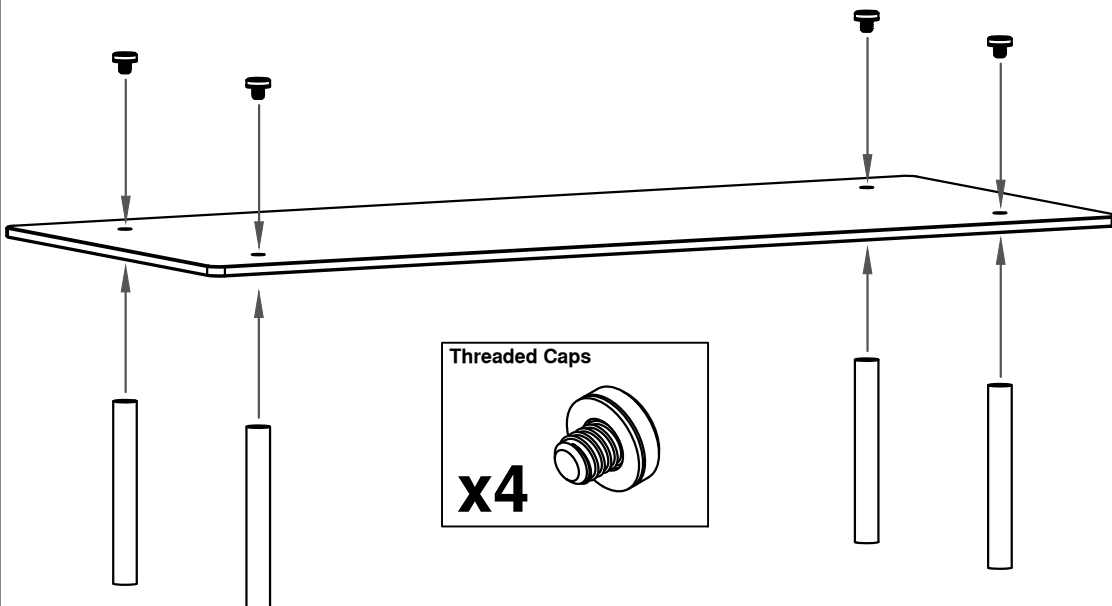


Long Bolts

x4

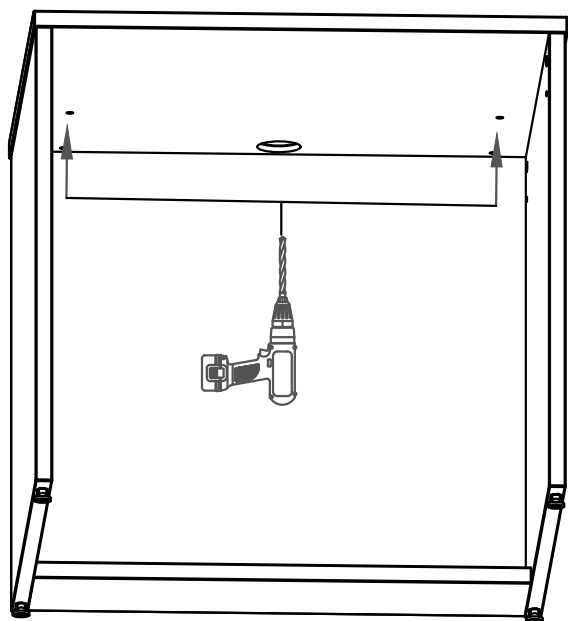


1

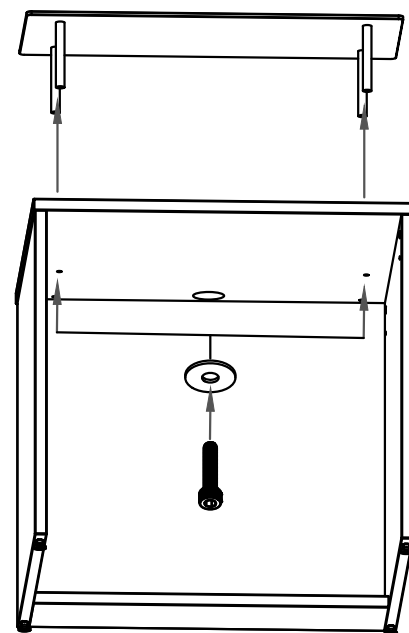
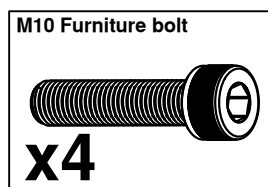
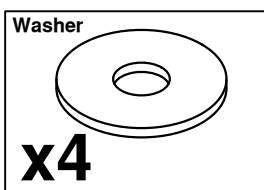


Do not over tighten these caps!
They only need to be tightened by hand.

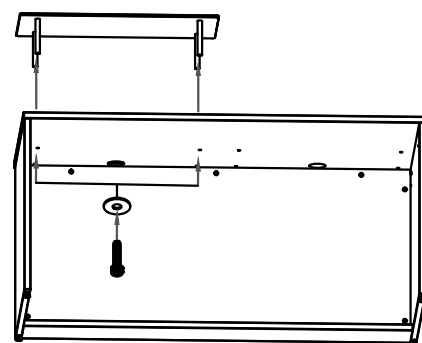
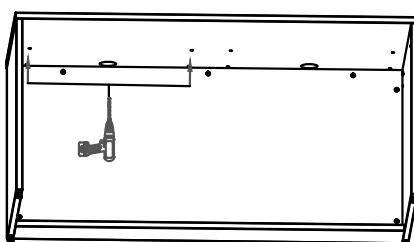
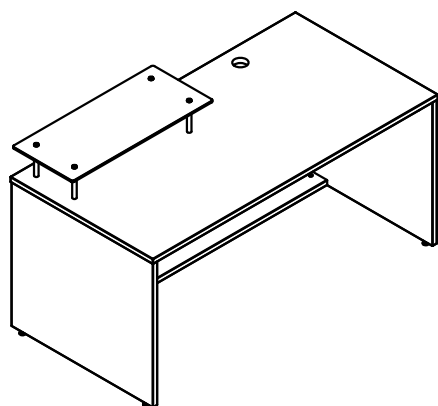
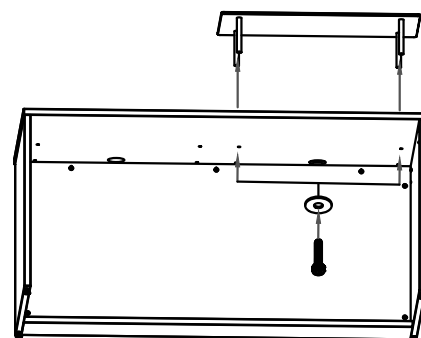
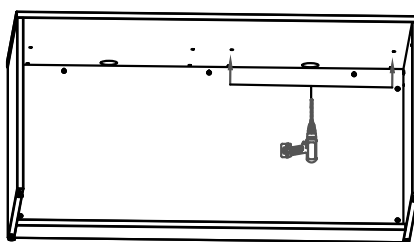
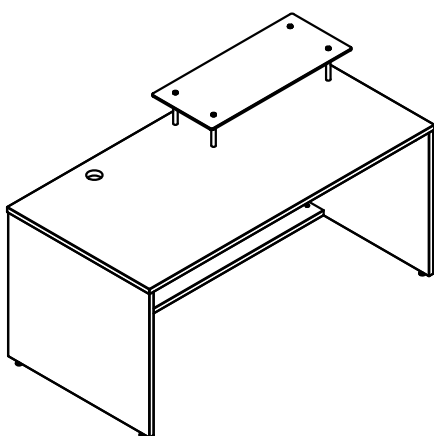
2



3



If attaching this unit to a 1600 desk please follow the steps below.



4