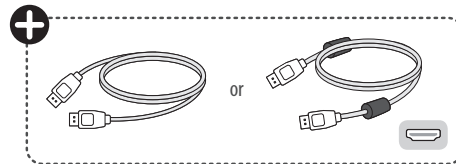
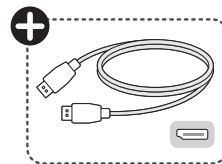
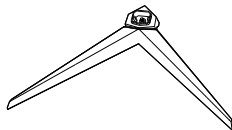
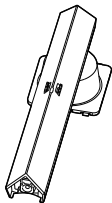
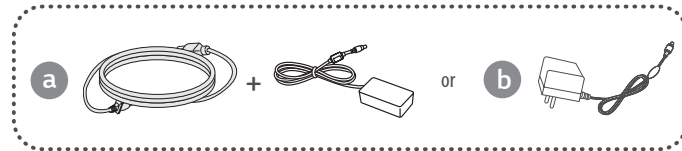
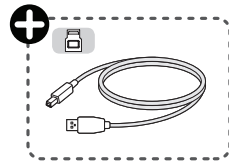
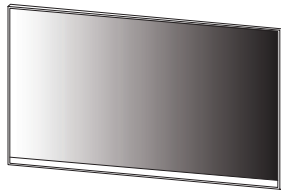




27GS85Q 32GS85Q

27GS85QX 32GS85QX



+ Depending on country



You can download manuals from the LGE website.
OWNER'S MANUAL AND REGULATORY INFO. are available at <https://www.lg.com/au/support/manuals>.
PLEASE READ SAFETY INFORMATION BEFORE INSTALLATION AND USE. SCAN QR CODE TO ACCESS.



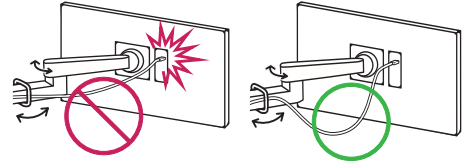
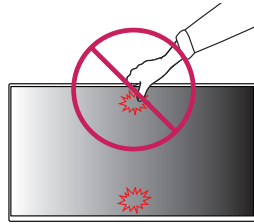
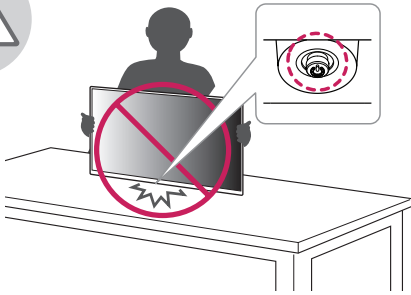
* M F L 7 2 1 2 7 9 0 5 *

(2405-REV00)

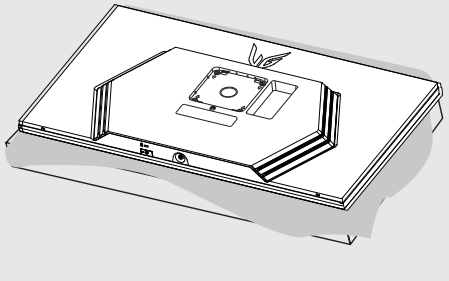




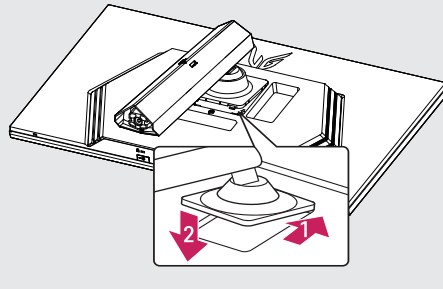
It is recommended that use the supplied components.



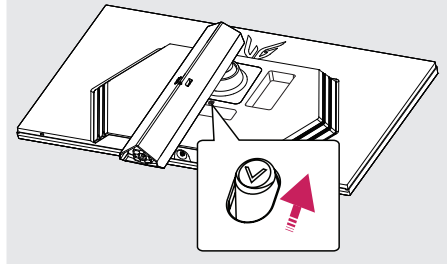
1

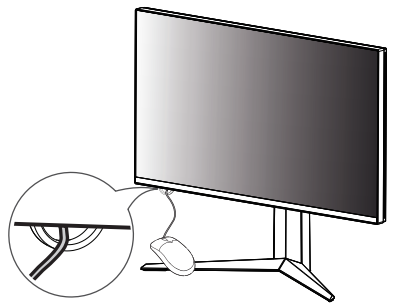
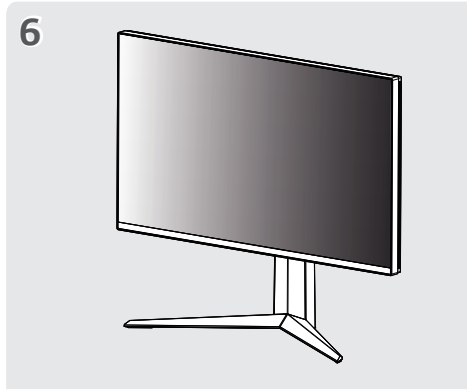
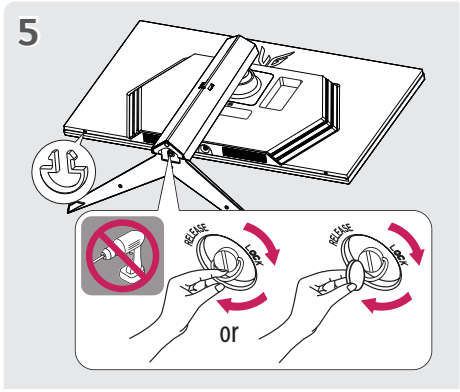
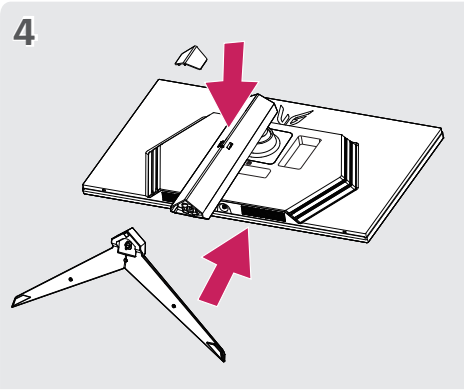


2

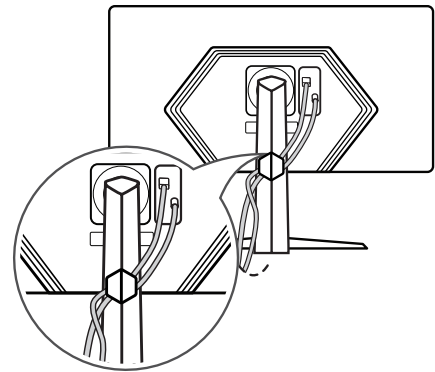


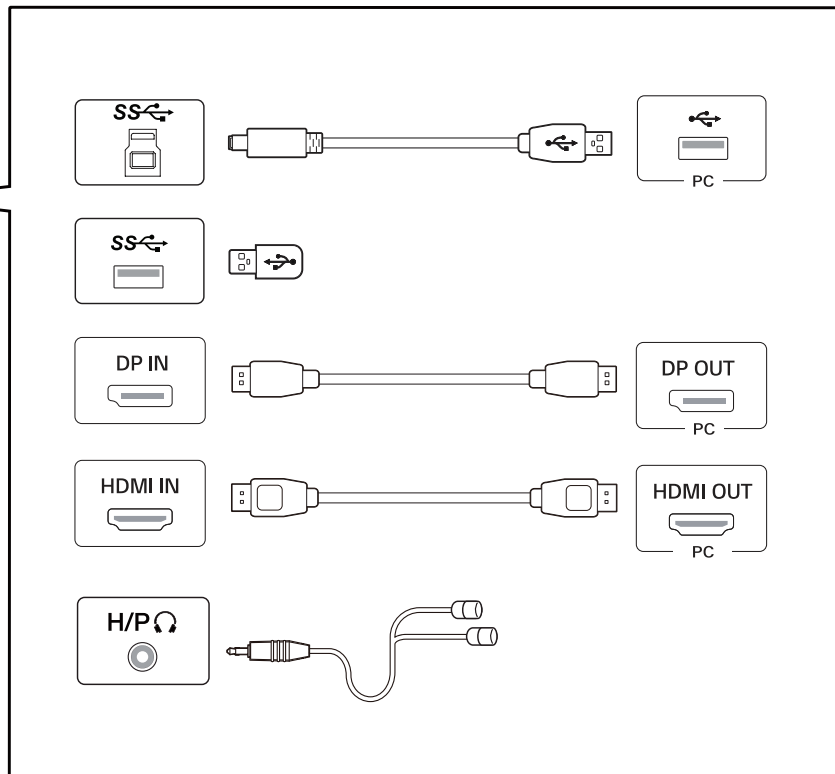
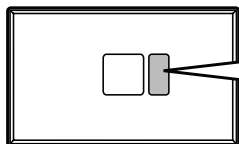
3





.....







- Using a DVI to HDMI / DP (DisplayPort) to HDMI cable may cause compatibility issues.
- The USB port on the product functions as a USB hub.
- Make sure to use the supplied cable. Otherwise, this may cause the device to malfunction.

