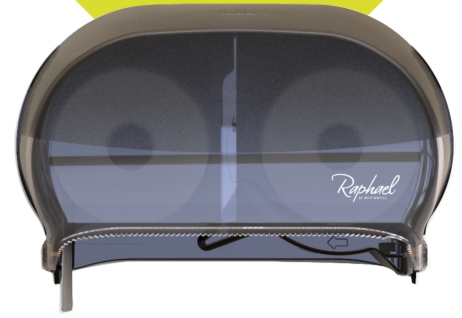


Product Code	VTSMORA
Product Barcode	05010146007523
Product Description	VersaTwin™ Toilet Roll Dispenser
Date of Issue	28/04/2020



Specification Sheet

Colour	Smoke
Height (mm)	210
Width (mm)	324
Depth (mm)	146
Max Roll Capacity	2 Rolls x 200m each
Compatible Product	VT1200R / VT2125R / VT2100LP
Dispenser Key Features	<ul style="list-style-type: none"> ◆ Infinity paper system—only one roll used at a time, delivering zero waste and cost saving benefits ◆ BioKleen treated handle—improves washroom hygiene by inhibiting the growth and spread of bacteria ◆ Translucent—'at-a-glance' replenishment checks, with no need to open dispensers, reduces janitorial time ◆ Compact design—suitable for a wide variety of sectors, especially where space is at a premium, whilst still meeting the demands of a busy washroom

Packaging

Case Quantity	1
Number of cases per layer	162
Number of cases per pallet	486
Pallet Height (m)	0.8
Case Weight (kg)	1.0

Northwood Hygiene Products

Northwood House, Stafford Park 10, Telford, Shropshire, TF3 3AB

T: 01952 236 930 E: customer.service@northwood.co.uk

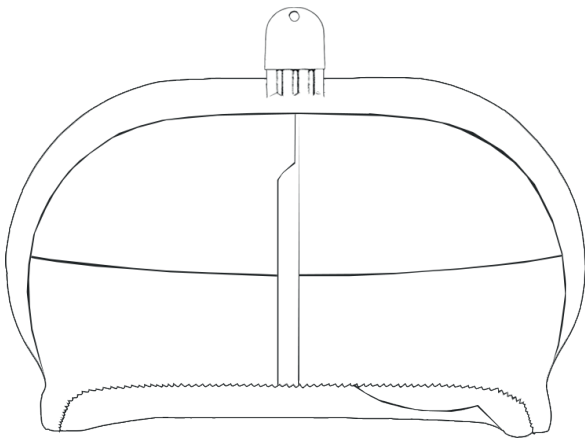
www.northwood.co.uk

Raphael[®]
BY NORTHWOOD

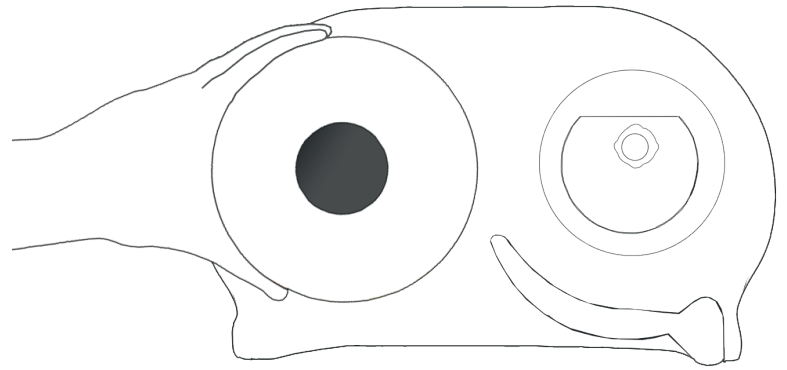
VersaTwin™ Toilet Roll Dispenser

Loading Card

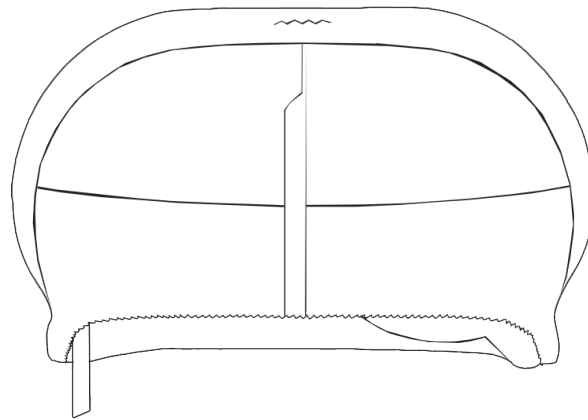
Follow these three easy steps to load your Raphael dispenser.
All you need is your waffle key & Raphael toilet roll.



Unlock & open
the dispenser



Click the rolls onto the
dispenser



Close the dispenser & release
the paper tail

For more information:

www.northwood.co.uk/raphael

T: 01952 236 930