

FPMA-D865DBLACK

NEOMOUNTS BY NEWSTAR MONITOR DESK

SPECIFICATIONS

GENERAL

Min. screen size*	10 inch
Max. screen size*	27 inch
Min. weight	0 kg (per screen)
Max. weight	6 kg (per screen)
Screens	2
VESA pattern	100x100 mm 75x75 mm
VESA minimum	75x75 mm
VESA maximum	100x100 mm
Desk mount	Stand

FUNCTIONALITY

Type	Full motion Tilt Rotate Swivel
Height adjustment	35-48 cm
Depth adjustment	5 cm
Tilt (degrees)	+20°, -20°
Swivel (degrees)	20°
Rotate (degrees)	360°
Pivot points	1
Adjustment type	Gas spring

INFORMATION

Color	Black
Main material	Steel
Warranty	5 year
EAN code	8717371446741

*Please note: The inch sizes stated are just an indication, combined with the weight and VESA sizes. The maximum weight and VESA size are absolute restrictions for the products and should not be exceeded.



Neomounts



Neomounts

Neomounts by Newstar Stylish Tilt/Turn/Rotate Desk Stand for two 10-27" Monitor Screens, Height Adjustable - Black

The Neomounts by Newstar desk mount, model FPMA-D865DBLACK is a tilt-, swivel and rotatable desk mount for two flat screens up to 27". This mount is a great choice for space saving placement on desks using a desk stand.

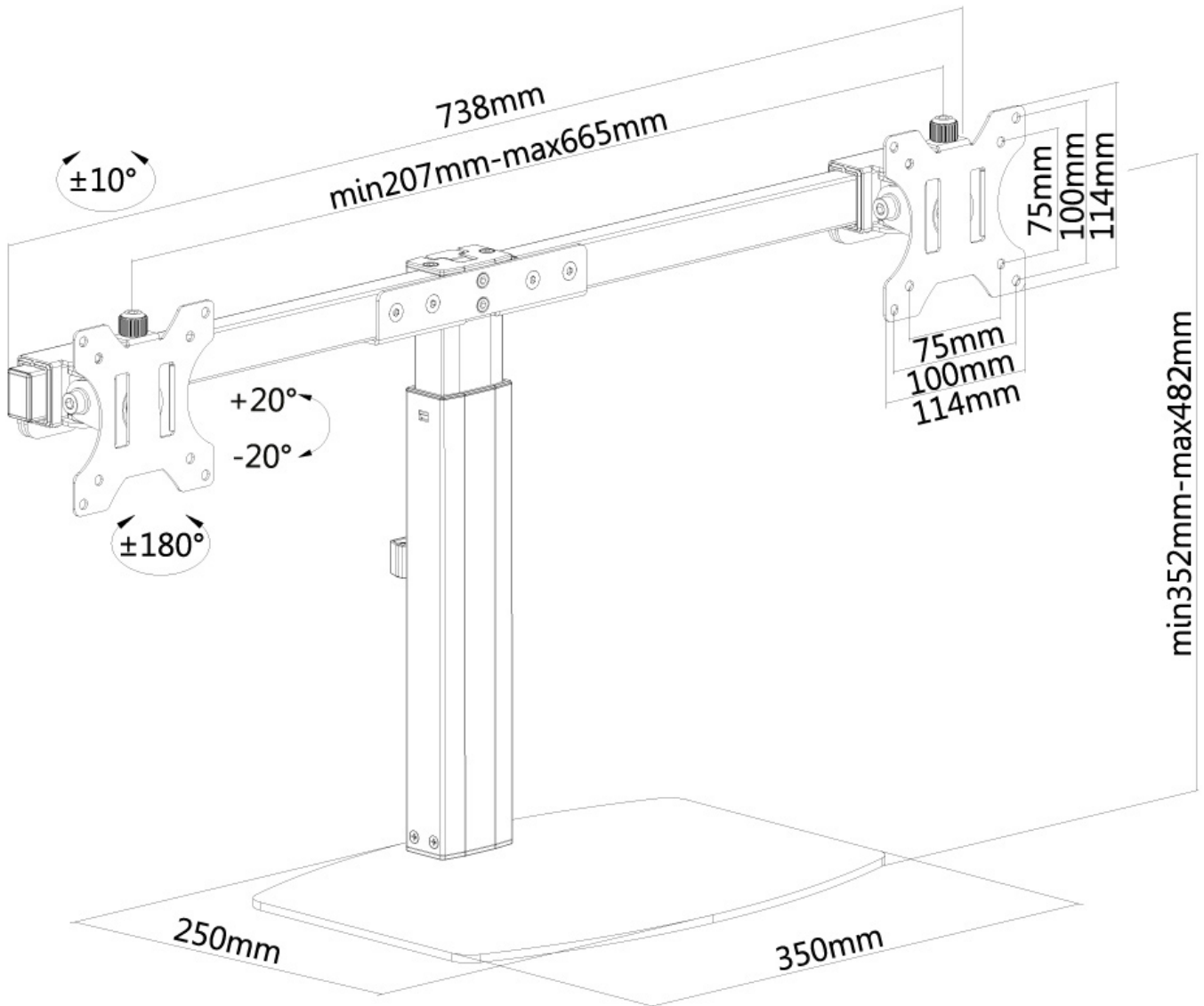
Neomounts by Newstar's versatile tilt (40°), rotate (360°) and swivel (20°) technology allows the mount to change to any viewing angle to fully benefit from the capabilities of the flat screen. The mount is manually height adjustable from 35 to 46 centimetres. Depth 5 centimetres.

Neomounts by Newstar FPMA-D865DBLACK has one pivot point and is suitable for screens up to 27" (69 cm). The weight capacity of this product is 6 kg each screen. The desk mount is suitable for screens that meet VESA hole pattern 75x75 or 100x100mm. Different hole patterns can be covered using Neomounts by Newstar VESA adapter plates.

By using an ergonomic mount neck- and back complaints can be avoided. Ideal for use in offices and on counters or in a reception area.

All installation material is included with the product.

FPMA-D865DBLACK NEOMOUNTS BY NEWSTAR MONITOR DESK



Neomounts